

KNOCK-DOWN FITTINGS



- high quality furniture fittings



The technical descriptions and dimensions in this catalogue, also those with the photographs and drawings, are not binding. We reserve the right to make design improvements.

We bear no liability for any misprints or other errors that might occur in the production of the catalogue.

SISO A/S tager forbehold for trykfejl samt ændringer i produktets specifikationer.

Für Druckfehler und Irrtümer ist jede Haftung ausgeschlossen. Produktänderungen behalten wir uns vor.




















SISO A/S
MILEPARKEN 11
DK - 2740 SKOVLUNDE
(COPENHAGEN)
DENMARK
PHONE: (+45) 45 830 900
FAX: (+45) 45 830 444



















DISTRIBUTOR

CONTENTS

- high quality furniture fittings

SISO
DENMARK

| CONTENTS | 1 | CONTENTS 2 | 2 | |
|-----------------------------------|---|------------|-------|---|
| KNOCK DOWN "SYSTEM S" | | | 3-7 |  |
| CAMS F/MINIFIX - Ø15 MM | | | 8-10 |  |
| MEDIAL FIX - Ø25 MM | | | 11 |  |
| MEDIA LUNA - Ø30 MM | | | 12 |  |
| KNOCK DOWN FITTING 512 - Ø30 MM | | | 13 |  |
| MINI LUNA CONNECTOR - Ø30 MM | | | 14 |  |
| METAL WASHERS | | | 15 |  |
| "FUERTE" KD-SYSTEM - Ø35 MM - 90° | | | 16-18 |  |
| JUMBO FIX - Ø35 MM | | | 19 |  |
| MAXI LUNA - Ø40 MM | | | 20 |  |
| SISOJOINT 42/07 - Ø25 MM | | | 21-22 |  |
| WORK TOP CONNECTOR | | | 23-24 |  |
| CORNER BLOCK 3554 - SCREW ON TYPE | | | 25-28 |  |
| SNAP FITTING # 214 | | | 29 |  |
| TWIST & TIGHT - CHAIR ASSEMBLY | | | 30 |  |
| FIXING DOWEL & PANEL CONNECTORS | | | 31 |  |
| REAR PANEL CONNECTOR RV 3 | | | 32 |  |

| | | |
|--|-------|---|
| KEYHOLE FIXTURE MODEL 700 | 33 |  |
| BED RAIL BRACKET MODEL 3750 | 34-35 |  |
| JOINT CONNECTOR "ZIMAK" | 36 |  |
| BEECH WOOD DOWELS | 37 |  |
| KEA SCREW-IN BUSHING | 38-41 |  |
| MODEL 21 | 42-43 |  |
| HANGERBOLTS | 44 |  |
| HEXAGONAL NUT & WING NUTS | 45 |  |
| LOCATING PINS & WASHERS | 46 |  |
| FIFTEEN SCREWS & BOLTS | 47 |  |
| SNAKE EYE SECURITY SCREW | 48-50 |  |
| CROSS DOWELS | 51 |  |
| CONFIRMAT SCREWS | 52 |  |
| WOOD SCREWS & DOUBLE POINTED STEEL NAILS | 53 |  |
| BRASS COMBIFIX HEAD | 54-57 |  |
| STEEL COMBIFIX HEAD | 57-58 |  |
| BUSHINGS | 59-63 |  |
| "INVISIO" - KD SYSTEM | 64-76 |  |

KNOCK DOWN "SYSTEM S"

IS AN IMPROVEMENT OF THE CONVENTIONAL ECCENTRIC CAM FITTINGS!

INSTEAD OF AN ECCENTRIC CAM HOUSE IN ZAMAK WE HAVE DEVELOPED A STEEL BARREL WITH A POINTED GRUB SCREW, WHICH IS BEING WEDGED BELOW THE NECK OF THE DOWEL ENSURING A PERMANENT GRIP.

REPLACES ALL 15 MM DIAMETER ECCENTRIC CAM FITTINGS WITHOUT CHANGE OF DRILLING, AS THE BARREL REQUIRES THE NORMAL 34 MM BORE DISTANCE FROM THE EDGE. CAN ALSO BE SUPPLIED FOR 24 MM AND 44 MM DISTANCE.

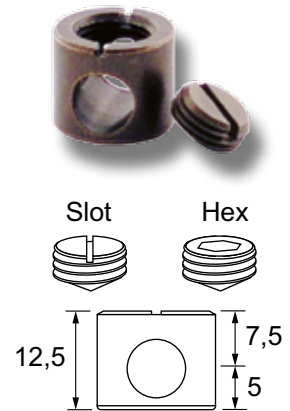
ALL PARTS ARE MADE OF HIGH QUALITY STEEL OR STAINLESS STEEL FOR OUT DOOR USE. THE MATERIAL WARRANTS UNSURPASSED ANCHORING PROPERTIES AND ELIMINATES THE RISK OF BREAKAGE OF THE FITTING.



KNOCK DOWN "SYSTEM S"

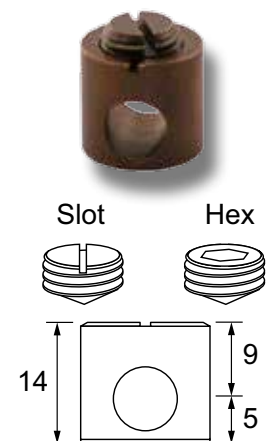
"SYSTEM S" 1512 – F/16 MM PANELS

| | | | | |
|-------------------|--|------------|------------|------------|
| Material | Steel or Stainless Steel | | | |
| Size | Cylinder Ø15 x 12,5 mm Grub screw M10 x 6 mm | | | |
| Finish | Bronze Plated (BRZ), Bright Zinc Plated (BZP), Yellow Zinc Plated (YZP), Stainless Steel (SS) Natural | | | |
| | BRZ | BZP | YZP | SS Natural |
| Cylinder | #11.03.500 | #11.03.505 | #11.03.504 | #11.03.705 |
| Grub screw w/slot | #11.03.490 | #11.03.494 | #11.03.493 | on request |
| Grub screw w/hex | #11.03.491 | #11.03.496 | on request | #11.03.715 |



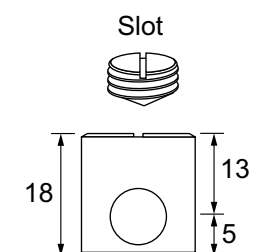
"SYSTEM S" 1514 – F/19 MM PANELS

| | | | | |
|-------------------|--|------------|------------|------------|
| Material | Steel or Stainless Steel | | | |
| Size | Cylinder Ø15 x 14 mm Grub screw M10 x 7,5 mm | | | |
| Finish | Bronze Plated (BRZ), Bright Zinc Plated (BZP), Yellow Zinc Plated (YZP), Stainless Steel (SS) Natural | | | |
| | BRZ | BZP | YZP | SS Natural |
| Cylinder | #11.03.516 | #11.03.582 | #11.03.580 | #11.03.700 |
| Grub screw w/slot | #11.03.521 | #11.03.592 | #11.03.590 | on request |
| Grub screw w/hex | #11.03.520 | #11.03.593 | on request | #11.03.710 |



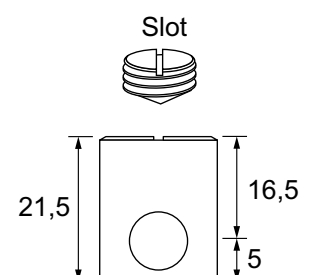
"SYSTEM S" 1518 – F/22-25 MM PANELS

| | | |
|-----------------|---|------------|
| Material | Steel | |
| Size | Cylinder Ø15 x 18 mm Grub screw M10 x 8,5 mm | |
| Finish | Bronze Plated (BRZ) | |
| | Cylinder | #11.03.450 |
| | Grub screw | #11.03.460 |



"SYSTEM S" 1522 – F/25-28 MM PANELS

| | | |
|-----------------|--|------------|
| Material | Steel | |
| Size | Cylinder Ø15 x 21,5 mm Grub screw M10 x 15 mm | |
| Finish | Bronze Plated (BRZ) | |
| | Cylinder | #11.03.518 |
| | Grub screw | #11.03.495 |



STEEL DOWELS F/KD-SYSTEM S

- high quality furniture fittings



| | | | |
|--|--|--|--|
| <p>Dowel #11.03.524</p> | | | |
| <p>Dowel #11.03.523 Cap #11.03.532</p> | | | |
| <p>Dowel #11.03.531 Cap #11.03.532</p> | | | |
| <p>Dowel #11.03.530</p> | | | |
| <p>Dowel #11.03.525</p> | | | |
| <p>End dowel Dowel #11.03.534</p> | | | |
| <p>Double dowel for 16 mm panel Dowel #11.03.539</p> | | | |
| <p>Double dowel for 19 mm panel Dowel #11.03.537</p> | | | |
| <p>Double dowel for 20 mm panel Dowel #11.03.535</p> | | | |
| <p>Double dowel no ring for 20 mm panel Dowel #11.03.536</p> | | | |
| <p>Hinged double dowel Dowel #11.03.570</p> | | | |
| <p>Heavy duty dowel for housing S1518 Dowel #11.03.470</p> | | | |
| <p>Mitre dowel Dowel #11.30.575</p> | | | |

PLASTIC COVER CAPS

Material
Nylon

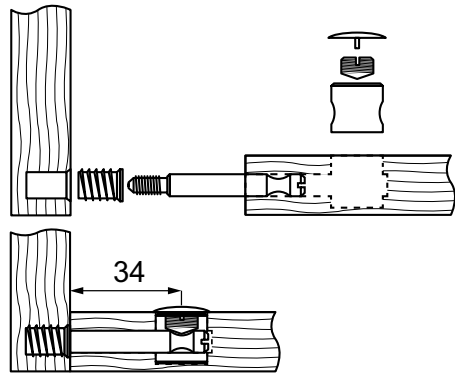
Size
Ø17 mm

- Brown # 11.03.551
- Beige # 11.03.553
- White # 11.03.554
- Oak # 11.03.555
- Black # 11.03.556
- Light grey RAL 7035 # 11.03.559

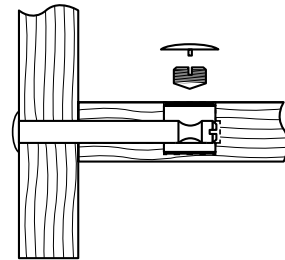


Add

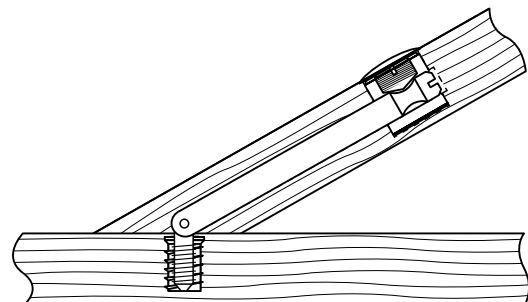
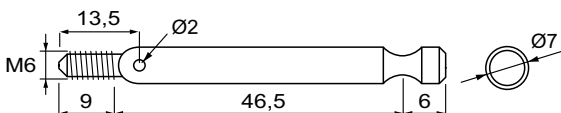
STEEL DOWEL, M6 & SCREW IN BUSHING



STEEL END DOWEL, M6 & SCREW IN BUSHING



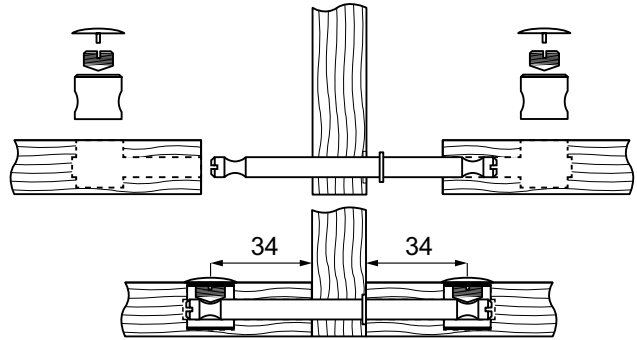
M6 HINGED DOWEL F/MITRE JOINTS #11.03.575



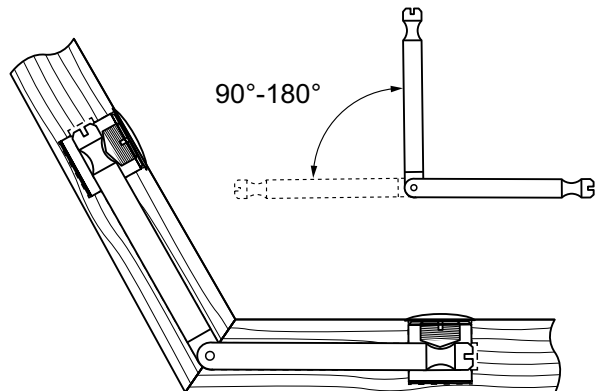
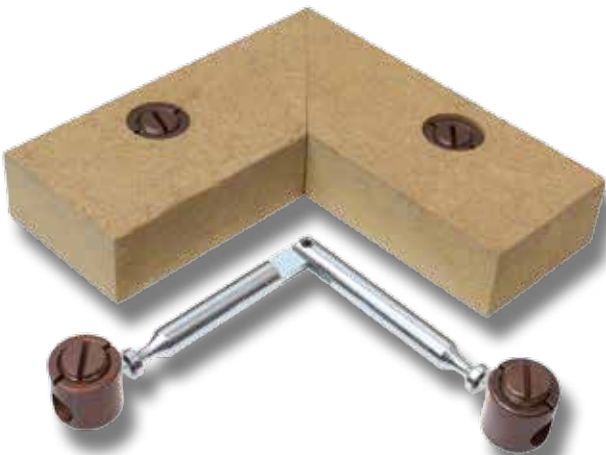
DOUBLE STEEL DOWEL F/16 , 19, 20 MM CENTRE PANEL

- high quality furniture fittings

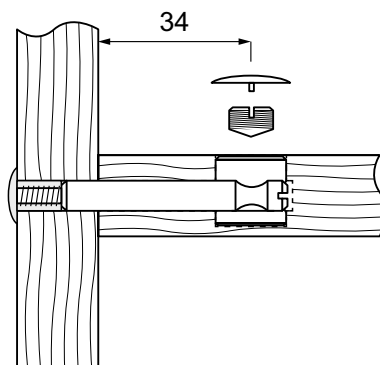
SISO
DENMARK



DOUBLE STEEL DOWEL HINGED # 11.03.570 F/MITRE JOINTS AT ANY ANGLE FROM 90° TO 180°

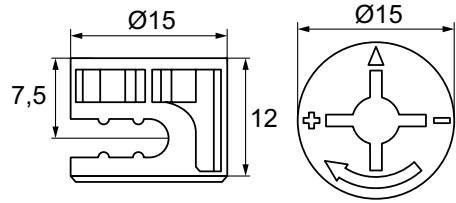


ADJUSTABLE END DOWEL # 11.03.531 & CAP # 11.03.532

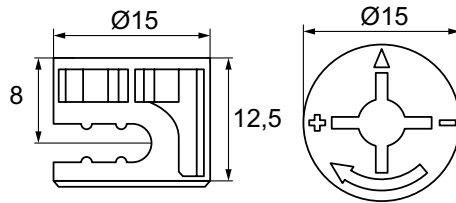


CAMS F/MINIFIX - Ø15 MM

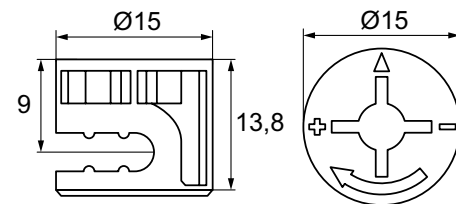
CAM F/15 MM PANEL
Material
 Zamak, Raw
Item No. # 11.03.255



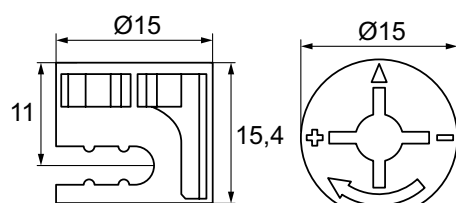
CAM F/16 MM PANEL
Material
 Zamak, Raw
Item No. # 11.03.260



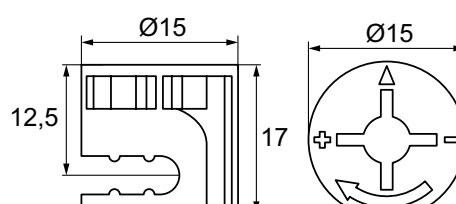
CAM F/18 MM PANEL
Material
 Zamak, Raw
Item No. # 11.03.270



CAM F/22 MM PANEL
Material
 Zamak, Raw
Item No. # 11.03.275



CAM F/25 MM PANEL
Material
 Zamak, Raw
Item No. # 11.03.280



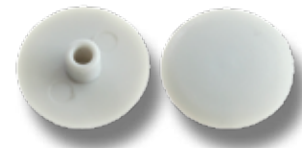
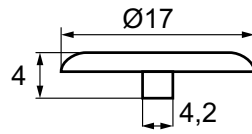
COVERS F/MINIFIX - Ø15 MM

- high quality furniture fittings

NYLON COVER CAP F/MINIFIX

Material
Nylon

| | |
|---------------|------------|
| Black | #11.03.244 |
| Dark brown | #11.03.245 |
| White | #11.03.246 |
| Light oak 148 | #11.03.247 |
| Beige 147 | #11.03.248 |
| Light grey | #11.03.249 |

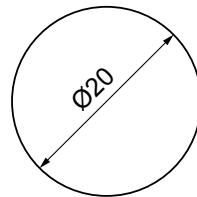


ADHESIVE COVER CAPS

Size Ø20 mm

Colours

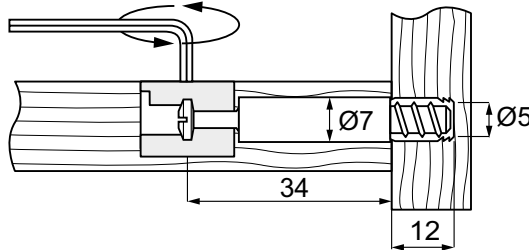
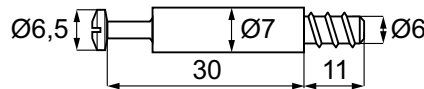
White, Grey, Black, Ash, Pine,
Oak, Beech, Walnut, Cherry,
Mahogany, Aluminium



STEEL DOWEL - EURO THREAD Ø5 MM BORING F/MINIFIX - Ø15 MM

Material
Steel, Bright Zinc Plated

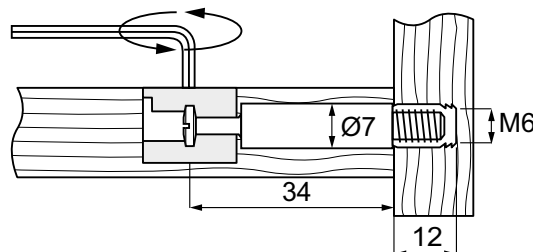
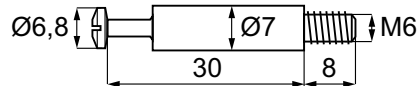
Item No. # 11.03.333



STEEL DOWEL M6 F/MINIFIX - Ø15 MM

Material
Steel, Bright Zinc Plated

Item No. # 11.03.342

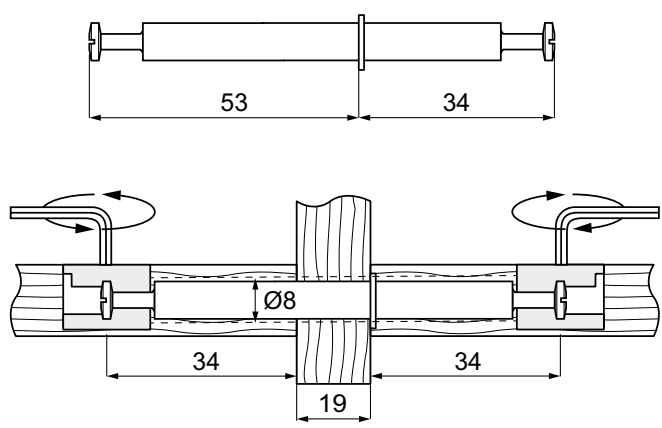


DOUBLE DOWEL W/CIRCLIP F/MINIFIX - Ø15 MM

Material
Steel, Bright Zinc Plated

Item No. # 11.03.350

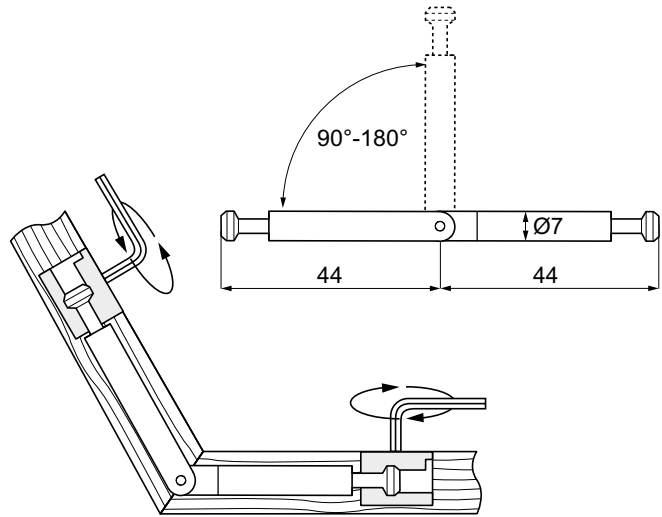
Also available without circlip



DOUBLE HINGED MITRE DOWEL 90° - 180° F/MINIFIX - Ø15 MM

Material
Steel, Bright Zinc Plated

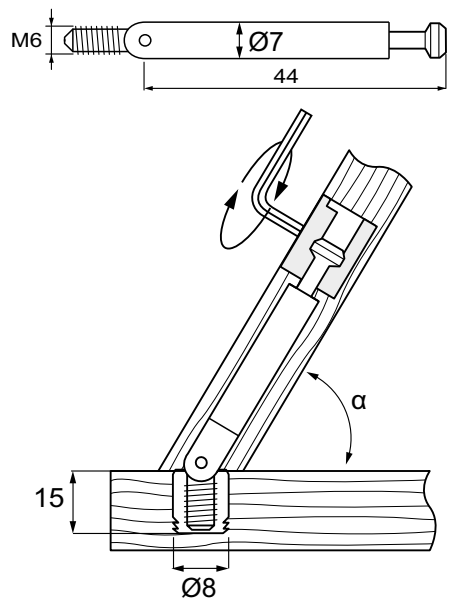
Item No. # 11.03.355



MITRE DOWEL CONNECTOR F/MINIFIX - Ø15 MM

Material
Steel, Bright Zinc Plated

Item No. # 11.03.361

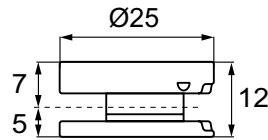


MEDIAL FIX - Ø25 MM

- high quality furniture fittings

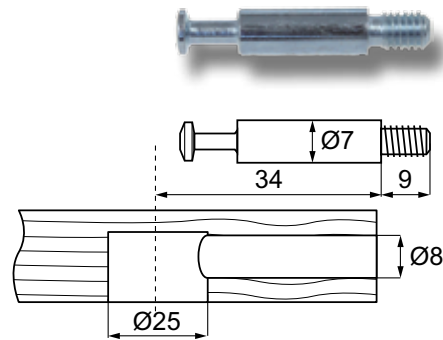
ZAMAK HOUSING

Item No. # 11.03.365



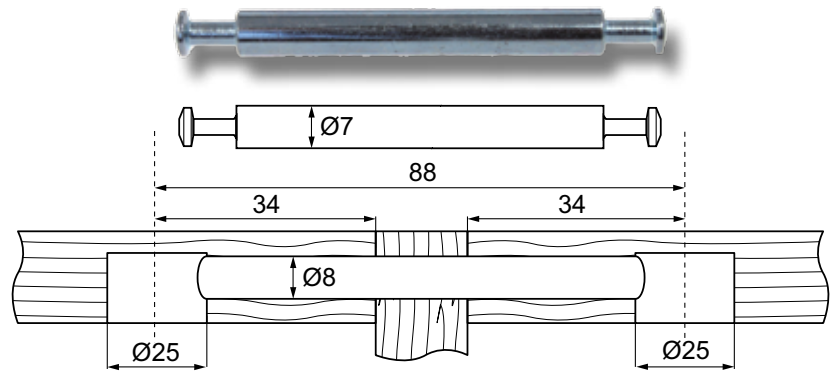
DOWEL STEEL BZP

Item No. # 11.03.380



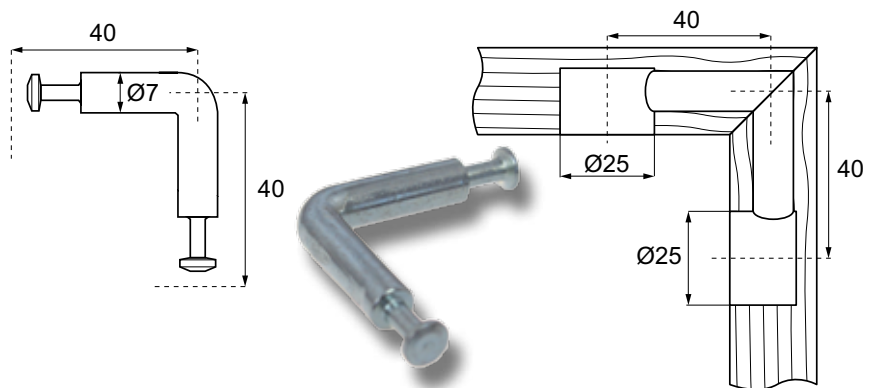
DOUBLE DOWEL STEEL BZP

Item No. # 11.03.385



ANGLED DOWEL STEEL BZP

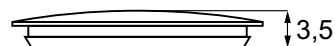
Item No. # 11.03.390



PLASTIC COVER CAP

Brown - Side grip

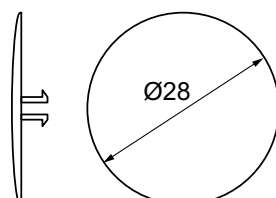
Item No. # 11.03.376



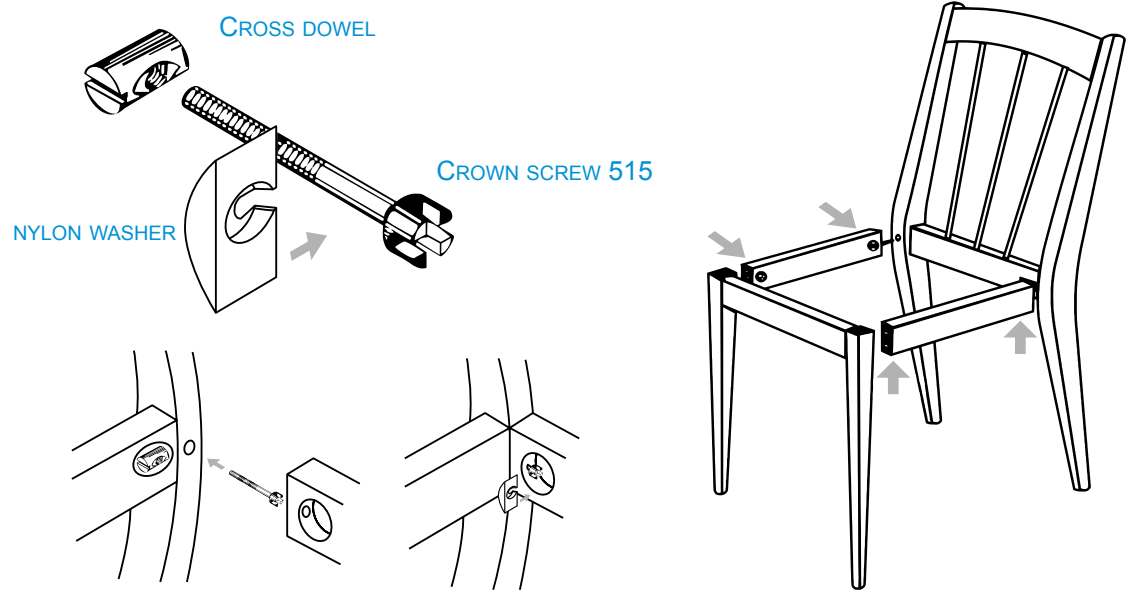
ZAMAK COVER CAP

Material
Zamak, nickel plated

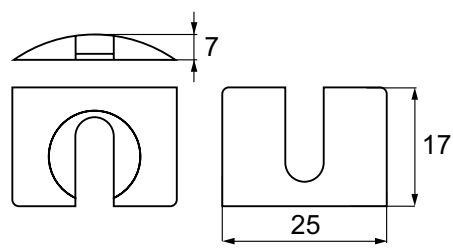
Item No. # 11.03.375



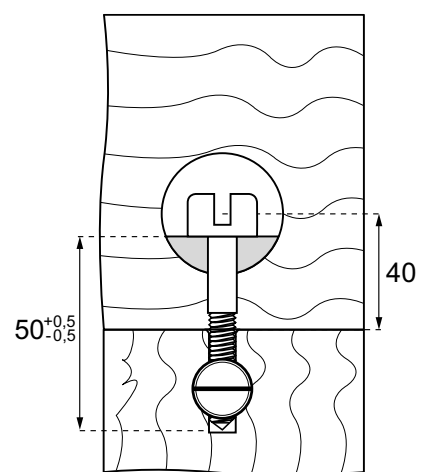
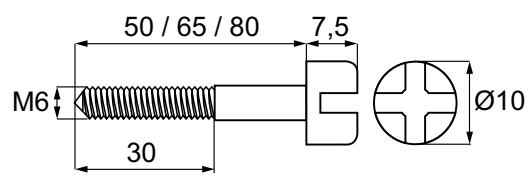
MEDIA LUNA - Ø30 MM



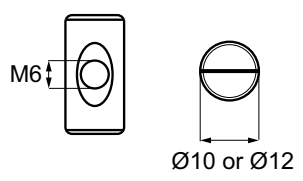
WASHER BROWN
Material
 Plastic
Item No. # 11.04.239



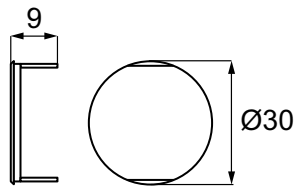
CROWN SCREW POINTED
Material
 Steel, zinc plated
Item No.
 M6 x 50 mm # 11.04.028
 M6 x 65 mm # 11.04.030
 M6 x 80 mm # 11.04.035



CROSS DOWEL
Material
 Steel, zinc plated
All dimensions and Item No. see page 50



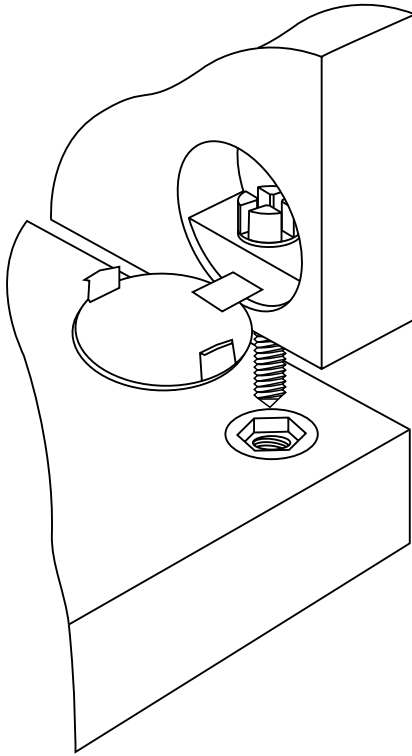
COVER CAP
Material
 Plastic
Item No.
 Beige # 11.04.244
 Brown # 11.04.245
 White # 11.04.246



KNOCK DOWN FITTING 512 - Ø30 MM

- high quality furniture fittings

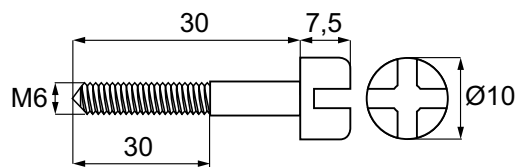
SISO
DENMARK



CROWN SCREW POINTED BZP

Item No.
M6 x 30

11.04.020

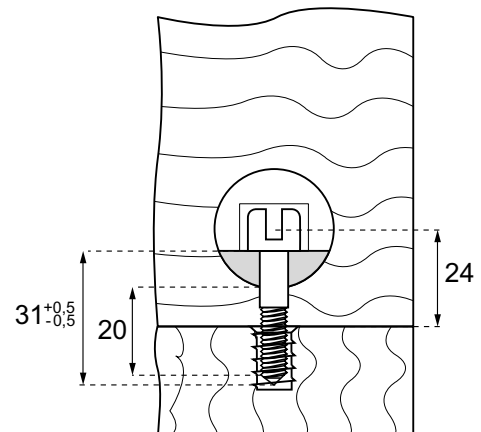
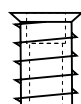
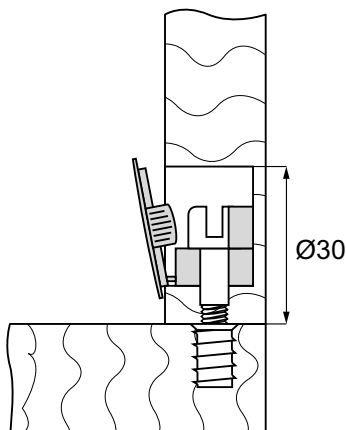


PLASTIC HOUSE

Item No.

Brown
White
Grey
Black

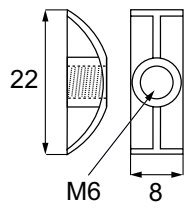
11.04.010
11.04.011
11.04.015
11.04.017



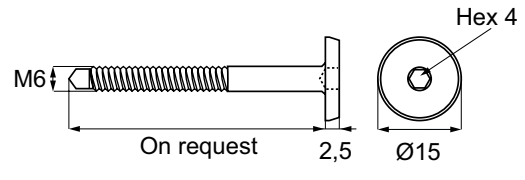
MINI LUNA CONNECTOR - Ø30 MM



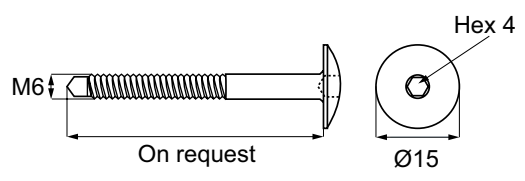
MINI LUNA WASHER
Material
 Zamak, Raw
Item No. # 11.04.232



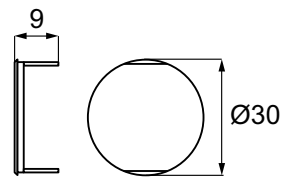
FIFTEEN SCREW
Material
 Steel YZP
Sizes
 M6 x 25 up to 120 mm with 5 mm interval



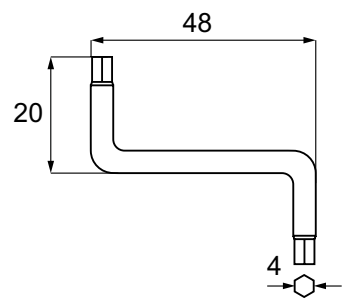
MUSHROOM SCREW
Material
 Steel YZP
Sizes
 M6 x 25 up to 100 mm with 5 mm interval



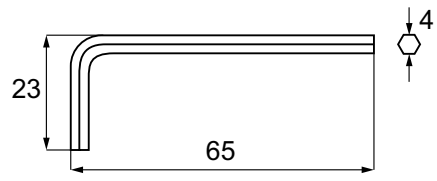
COVER CAP
Material
 Plastic
Item No.
 Beige # 11.04.244
 Brown # 11.04.245
 White # 11.04.246



Z-SHAPED ALLEN KEY 4 mm
Material
 Hardened BZP
Item No. # 12.06.035



L-SHAPED ALLEN KEY 4 mm
Material
 Hardened black
Item No. # 12.06.010



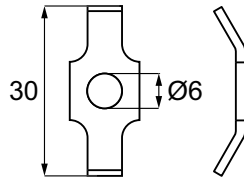
METAL WASHERS

- high quality furniture fittings

METAL WASHER
F/M6 screw, Ø30 mm bore

Material
Steel, BZP

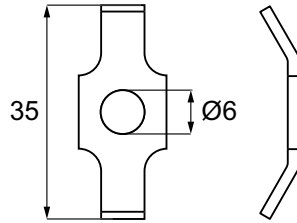
Item No. # 11.04.243



METAL WASHER
F/M8 screw, Ø35 mm bore

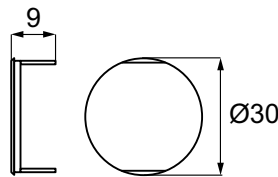
Material
Steel, BZP

Item No. # 11.04.243-5



COVER CAP
Plastic

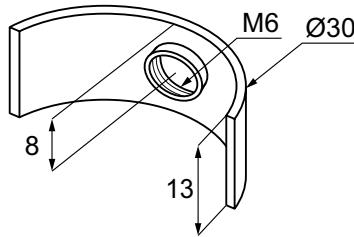
Item No.
Beige, Ø30 mm bore # 11.04.244
Brown, Ø30 mm bore # 11.04.245
White, Ø30 mm bore # 11.04.246
Brown, Ø35 mm bore # 11.04.640



METAL WASHER
W/internal thread M6, Ø30 mm bore

Material
Steel, BZP

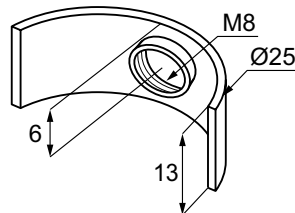
Item No. # 11.04.200



METAL WASHER
W/internal thread M8, Ø25 mm bore

Material
Steel, BZP

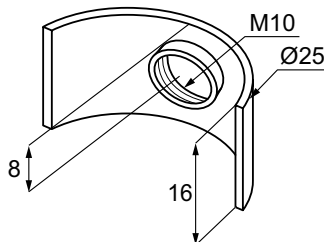
Item No. # 11.04.210



METAL WASHER
W/internal thread M10, Ø25 mm bore

Material
Steel, BZP

Item No. # 11.04.215

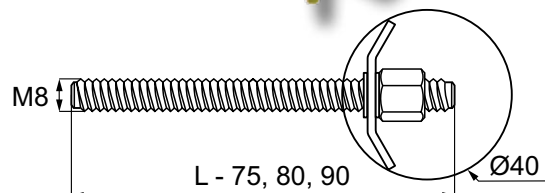
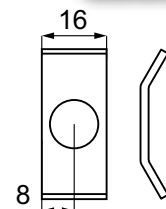


METAL WASHER
W/premounted hexagonal nut M8, Ø40 mm bore

Material
Steel

Item No. # 11.04.242

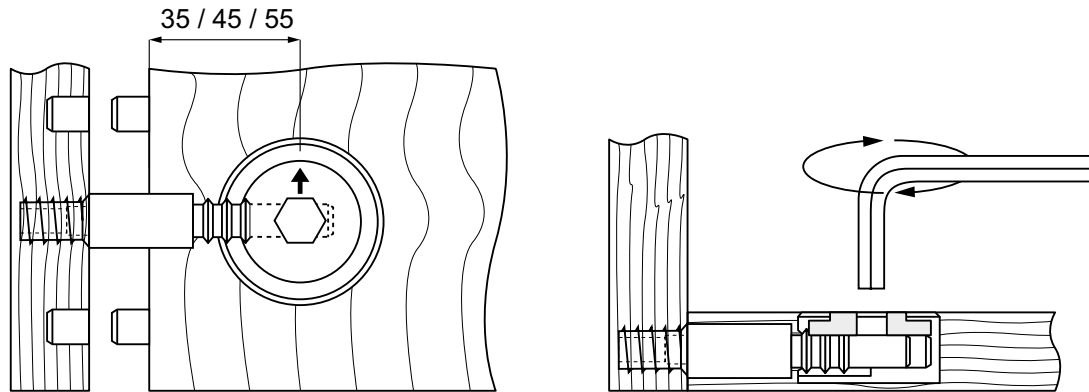
THREADED BOLT TO BE BOUGHT SEPARATELY



"FUERTE" KD-SYSTEM - Ø35 MM - 90°

"FUERTE" is a heavy duty connector particularly suitable for strong and secure assembly of beds, table frames, panels and cabinets. The housing with its steel worm gear and hardened steel dowel ensures a permanent grip and continual tension.

The system is available for 90° and 180° connections with drilling distances 35, 45 and 55 mm.



HOUSING

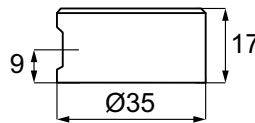
Material

Housing: zamak, raw
Worm gear: hardened steel

Size

Ø35 x 17 mm
Hex hole 6 mm

Item No. # 11.03.610



DOWEL

Overall length 64 mm

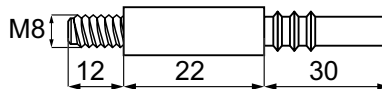
Material

Hardened steel

Sizes

M8 x 64 mm
Drill distance 35 mm

Item No. # 11.03.620



DOWEL

Overall length 74 mm

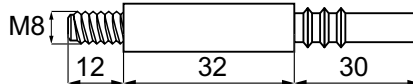
Material

Hardened steel

Sizes

M8 x 74 mm
Drill distance 35 mm

Item No. # 11.03.621



DOWEL

Overall length 84 mm

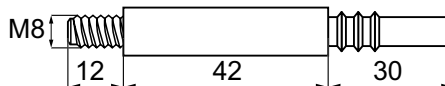
Material

Hardened steel

Sizes

M8 x 84 mm
Drill distance 35 mm

Item No. # 11.03.625

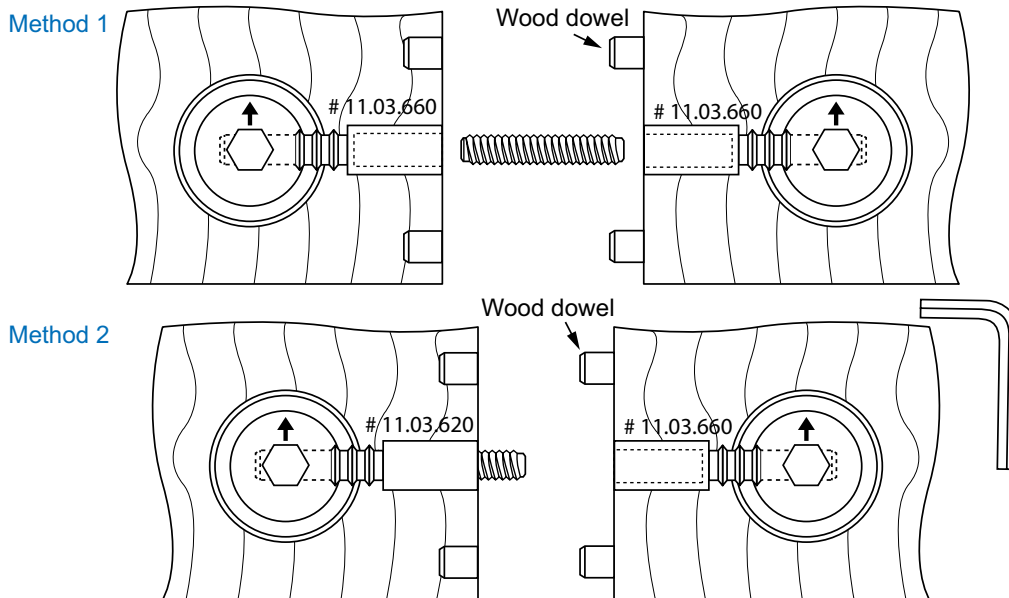


"FUERTE" KD-SYSTEM - Ø35 MM - 180°

- high quality furniture fittings

The 180° connection is ideal for partition walls, kitchen table tops etc.

By use of a "Female" dowel combined with a standard "Male" dowel or 2 female dowels connected with a threaded bolt of any length, a 180° connection is possible.



HOUSING

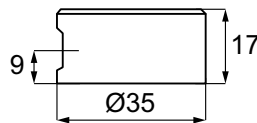
Material

Housing: zamak, raw
Worm gear: hardened steel

Sizes

Ø35 x 17 mm
Hex hole 6 mm

Item No. # 11.03.610



DOWEL

Overall length 64 mm

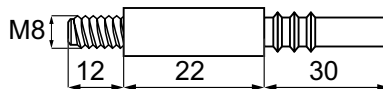
Material

Hardened steel

Sizes

M8 x 64 mm
Drill distance 35 mm

Item No. # 11.03.620



DOWEL

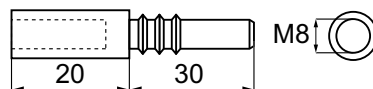
Material

Steel, BZP

Sizes

Female thread M8
Standard length 52 mm

Item No. # 11.03.660



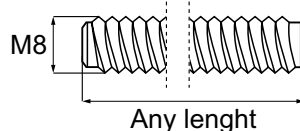
THREADED BOLT No. 1262

Material

Steel

Sizes

M8 x Any length



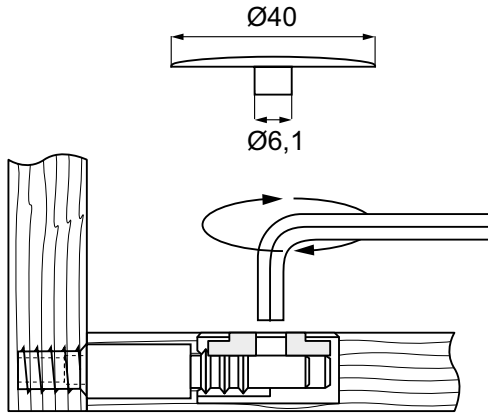
**COVER CAPS W/CENTRE PIN
WHEN HOUSING IS FLUSH
MOUNTED**

Material
Nylon

Size
Ø40 mm
Pin Ø6,1 mm

Item No.

- Brown # 11.03.641
- Beige # 11.03.642
- Black # 11.03.643
- White # 11.03.644



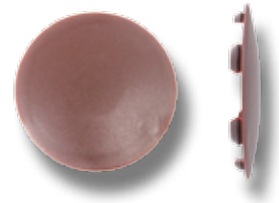
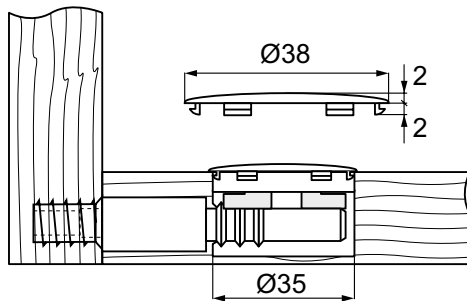
COVER CAPS W/SIDE GRIP

Material
Nylon

Size
Overall Ø38 mm
Inner Ø35 mm

Item No.

- Brown # 11.03.640



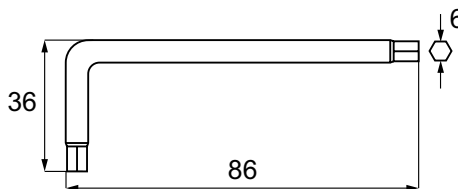
L-SHAPED 6 MM HEX KEY

Material
Hardened steel, BZP

Size
36 x 86 mm
Hex 6 mm

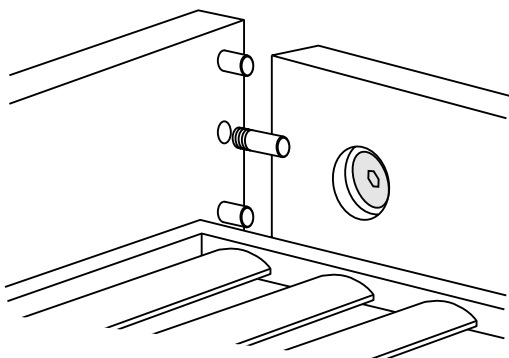
Item No.

- # 11.03.650

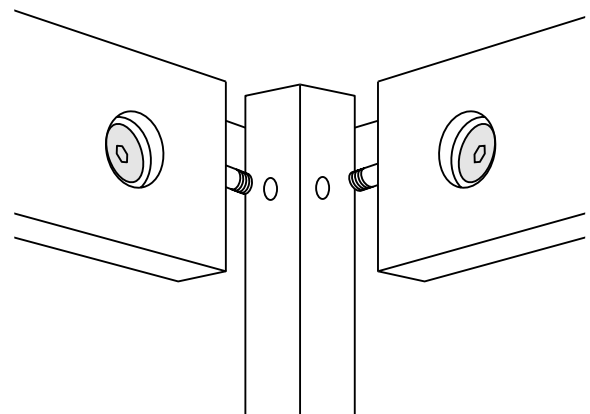


MOUNTING EXAMPLES

BED



TABLE



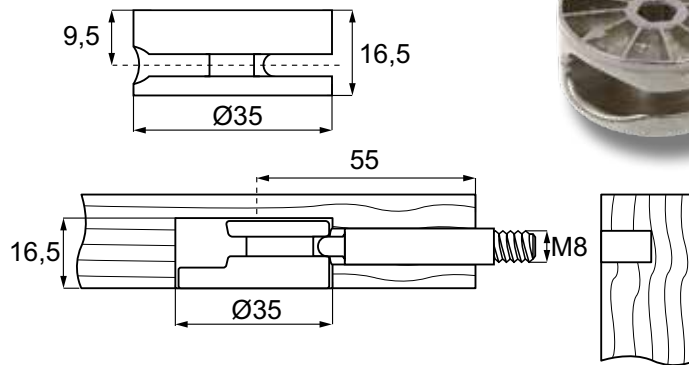
JUMBO FIX - Ø35 MM

- high quality furniture fittings

HOUSING Ø35 MM

Material
Zamak, raw

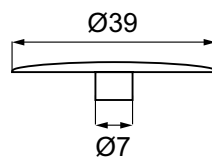
Item No. # 11.03.400



COVER CAP

Material
Plastic

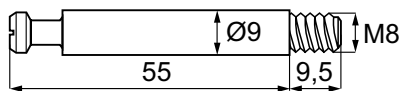
Item No. # 11.03.440
Brown



DOWEL

Material
Steel, BZP

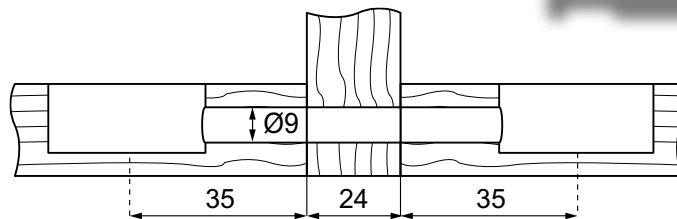
Item No. # 11.03.410



DOUBLE DOWEL

Material
Steel, BZP

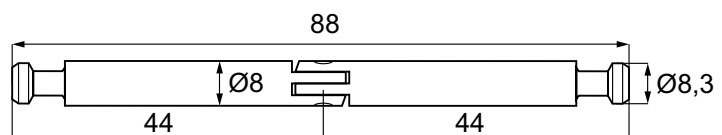
Item No. # 11.03.415



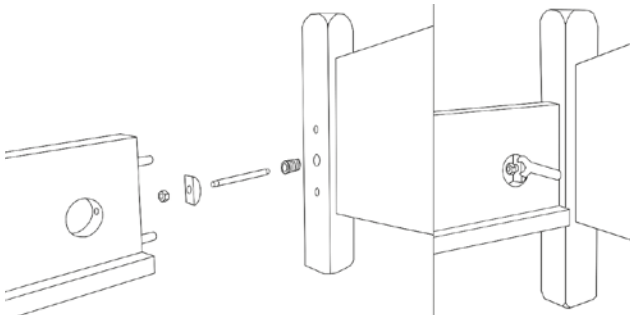
HINGED DOUBLE DOWEL

Material
Steel, BZP

Item No. # 11.03.420



MAXI LUNA - Ø40 MM

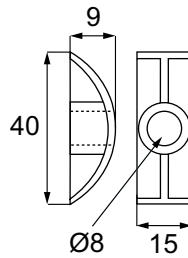


MAXI LUNA WASHER

Bore Ø40 mm
Hole Ø8 mm

Material
Zamak, Raw

Item No. # 11.04.230

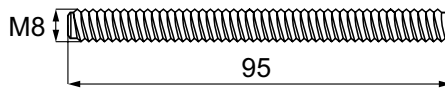


THREADED BOLT Coned Rnds

Material
Steel, YZP

Sizes
M6 x 95 mm

Item No. # 12.08.647



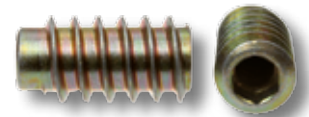
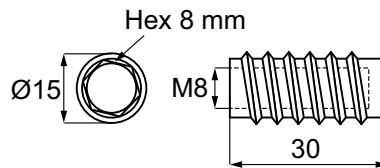
SCREW IN BUSHING

BL-SK with closed end

Material
Steel, YZP

Sizes
Ø15 x M8x 30 mm

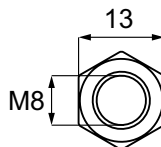
Item No. # 12.10.176



HEXAGONAL NUT DIN 934

Material
Steel, BZP

Item No. # 12.12.016

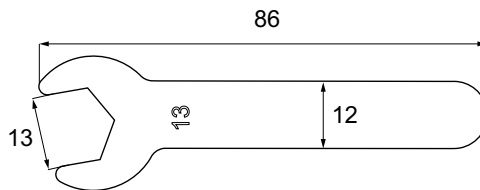


SPANNER

Open - Flat - M8/13 mm

Material
Steel, BZP

Item No.
Mild steel # 12.06.150
Hardened steel # 12.06.155

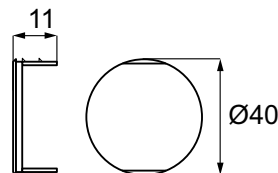


COVER CAP

Bore Ø40 mm

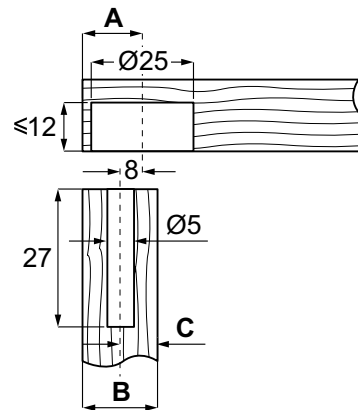
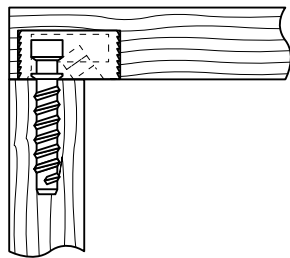
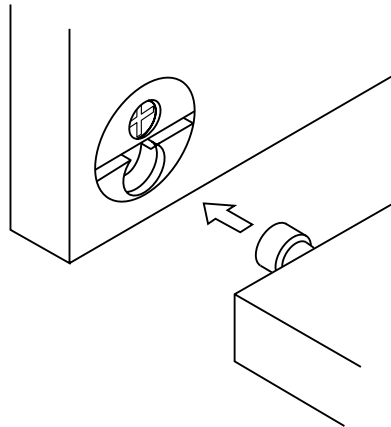
Material
Plastic

Item No.
Brown # 11.04.247
White # 11.04.248
Beige # 11.04.249



SISOJOINT 42/07 - Ø25 MM

- high quality furniture fittings



DRILLING DIMENSIONS CALCULATION

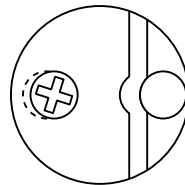
$$A = B - C + 8 \text{ MM}$$

SISOJOINT 42/07

Bore Ø25mm
Hole Ø5 mm

Item No.

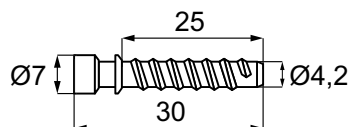
White # 11.04.136
Black # 11.04.137
Dark brown # 11.04.138
Beige # 11.04.139



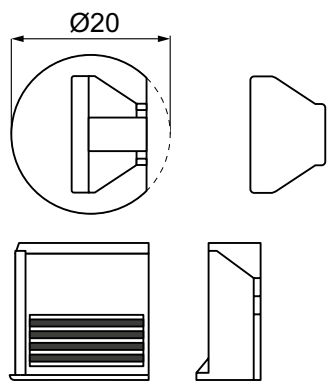
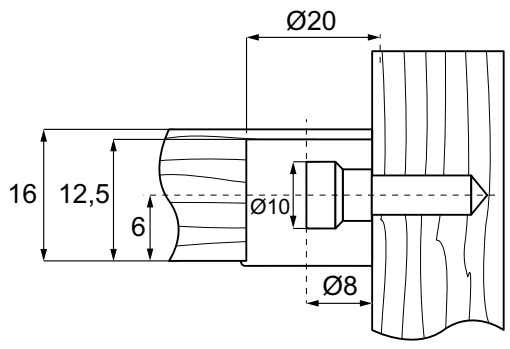
SCREW FOR SISOJOINT 42/07

Item No.

11.04.140



SNAPFIX - Ø20 MM



SNAPFIX

| Item No. | Ø16 mm | Ø19 mm |
|-----------------|-------------|-------------|
| Panel thickness | | |
| Brown | # 11.04.500 | # 11.04.525 |
| White | # 11.04.501 | # 11.04.526 |
| Black | # 11.04.502 | # 11.04.527 |
| Beige | # 11.04.503 | # 11.04.528 |

Euro screws 6,3 x 13 mm flat head # 11.04.634
Other sizes available upon request

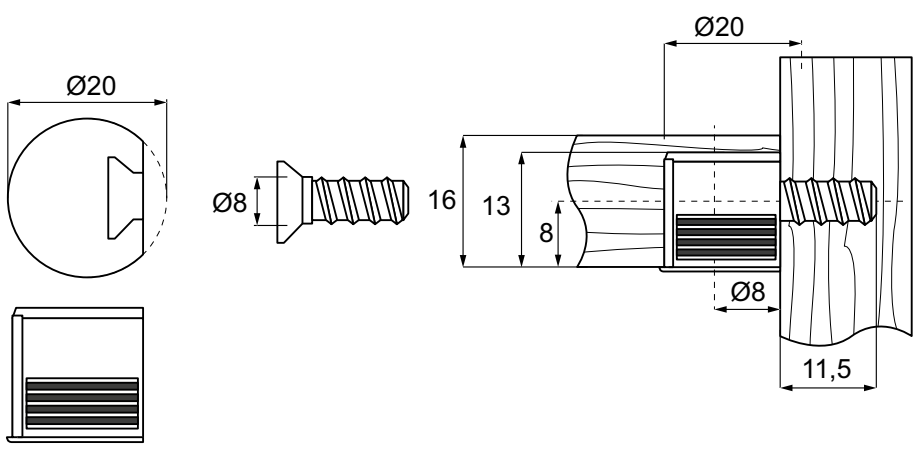


SNAPFIX "S"

SNAPFIX "S"

| Item No. | |
|----------|-------------|
| White | # 11.04.529 |
| Black | # 11.04.530 |
| Beige | # 11.04.531 |
| Oak | # 11.04.532 |
| Brown | # 11.04.533 |

Special euro screws 6,3 x 11,5 mm BZP
w/large head Ø8/Ø10mm # 11.04.618



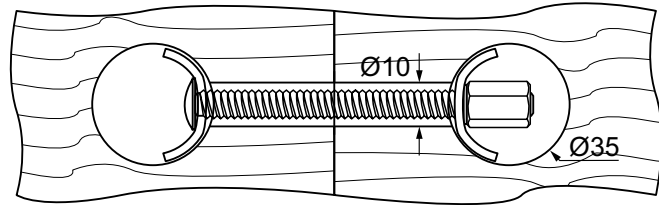
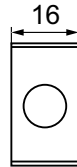
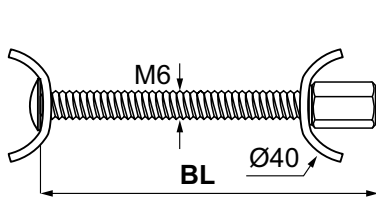
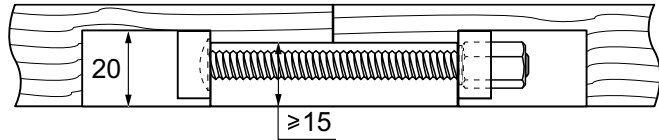
WORK TOP CONNECTOR

Material

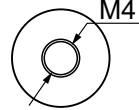
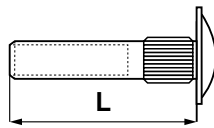
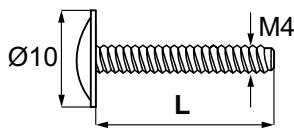
Steel, bright zinc plated

Size

| | |
|-------------|-------------|
| M6 x 65 mm | # 11.04.425 |
| M6 x 100 mm | # 11.04.427 |
| M6 x 150 mm | # 11.04.430 |
| M6 x 200 mm | # 11.04.460 |



METAL CONNECTING SCREW F/Ø5 BORE



| Panel thickness | Screw "L" | Tube "L" | NPL | BPL | BRZ | BLK |
|-----------------|------------|---------------|-------------|-------------|--------------|-------------|
| 19 - 23 mm | M4 x 14 mm | M4 x 15 mm | | available | upon request | |
| 21 - 30 mm | M4 x 14 mm | M4 x 20 mm | # 11.06.730 | available | upon request | |
| 26 - 35 mm | M4 x 14 mm | M4 x 25 mm | # 11.06.735 | available | upon request | |
| 28 - 37 mm | M4 x 14 mm | M4 x 27 mm | # 11.06.740 | available | upon request | |
| 31 - 40 mm | M4 x 17 mm | M4 x 27/30 mm | # 11.06.750 | # 11.06.751 | # 11.06.752 | # 11.06.753 |

INDIVIDUAL COMPONENTS F/Ø5 BORE

TUBE M4 X Ø5 SIZES

L = 15, 20, 22, 25, 27, 30, 35, 40 mm

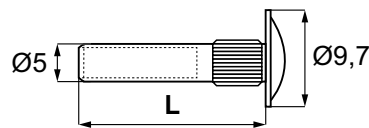
L = 20 mm BPL # 11.06.709

L = 25 mm NPL # 11.06.714

L = 27 mm BRZ # 11.06.713

L = 30 mm BLK # 11.06.711

L = 35 mm NBL # 11.06.756



SCREW M4 SIZES

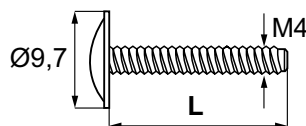
L = 10, 14, 18, 22, 25, 30, 35 mm

L = 12 mm PLAIN # 11.06.718

L = 14 mm NPL # 11.06.719

L = 14 mm BRZ # 11.06.729

L = 35 mm NPL # 11.06.721



THREADED TUBE M4 X Ø5 MM

Diam. x L = 15, 22, 25, 30, 45, 50 mm

Material

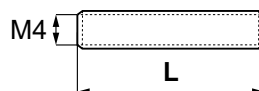
Steel, yellow zinc plated

L = 15 mm # 11.06.695

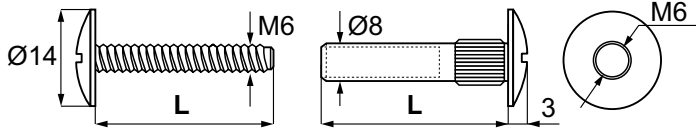
L = 22 mm # 11.06.700

L = 30 mm # 11.06.701

L = 50 mm # 11.06.702



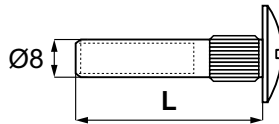
METAL CONNECTING SCREW F/Ø8 BORE



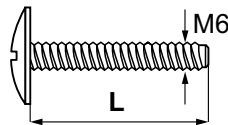
| Panel thickness | Screw "L" | Tube "L" | NPL | BPL | BRZ | BLK |
|-----------------|------------|------------|-------------|--------------|--------------|--------------|
| 19 - 23 mm | M6 x 14 mm | M6 x 15 mm | | available | upon request | request |
| 23 - 28 mm | M6 x 14 mm | M6 x 20 mm | | available | upon request | request |
| 26 - 33 mm | M6 x 14 mm | M6 x 25 mm | # 11.06.902 | # 11.06.901 | # 11.06.900 | # 11.06.898 |
| 30 - 38 mm | M6 x 14 mm | M6 x 31 mm | # 11.06.912 | # 11.06.913 | # 11.06.910 | # 11.06.911 |
| 33 - 45 mm | M6 x 20 mm | M6 x 31 mm | # 11.06.904 | # 11.06.915 | available | upon request |
| 40 - 50 mm | M6 x 20 mm | M6 x 38 mm | # 11.06.920 | # 11.06.922 | # 11.06.921 | |
| 50 - 60 mm | M6 x 30 mm | M6 x 38 mm | available | upon request | # 11.06.930 | # 11.06.925 |

INDIVIDUAL COMPONENTS F/Ø8 BORE

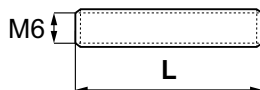
TUBE M6 SIZES
 L = 12, 15, 20, 25, 28, 31, 38 mm
 Upon request



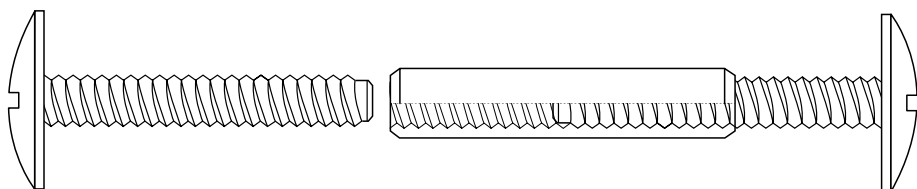
SCREW M6 SIZES
 L = 14, 20, 25, 30, 35, 45 mm
 Upon request



THREADED TUBE M6 X Ø8 MM
 L = 18, 20, 28 mm



MULTI GROOVED TUBE
M6 X Ø8 MM
 L = 27, 33 mm



CORNER BLOCK 3554 - SCREW ON TYPE

- high quality furniture fittings

CORNER BLOCK 3554 - SCREW ON TYPE

Material

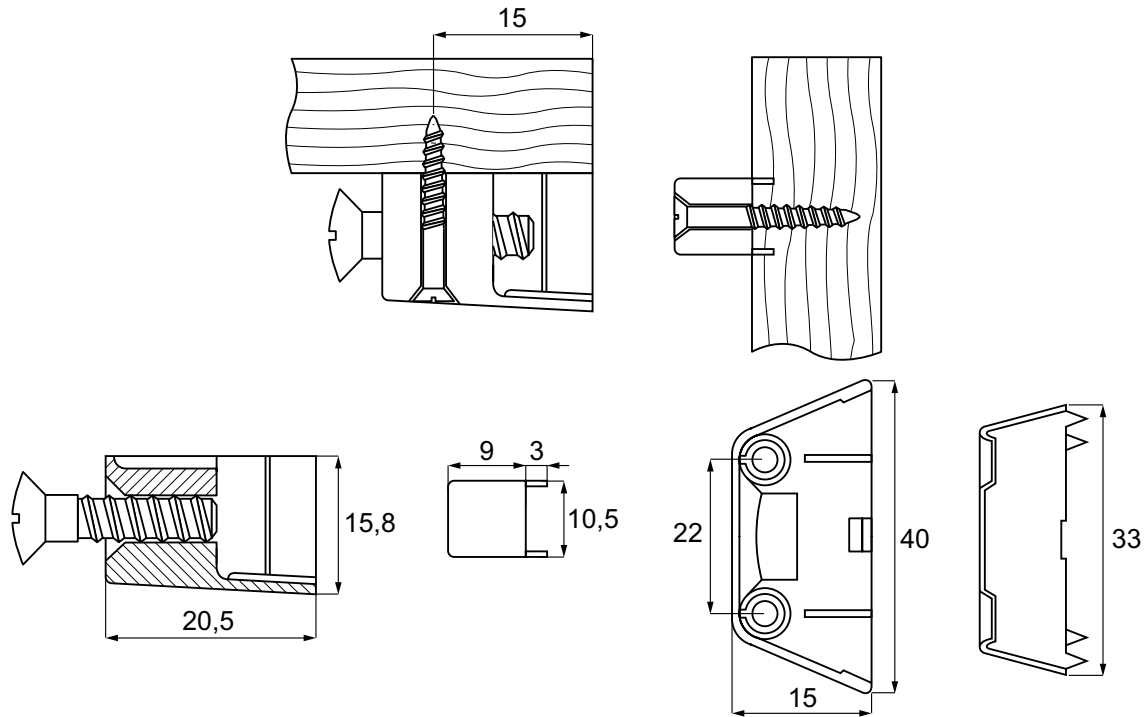
Plastic outer housing. Inner part BZP

Item No.

Brown. Inner part BZP # 11.05.028

White. Inner part BZP # 11.05.033

Apply 4 screws 4,0 mm



CORNER BLOCK 3600

CORNER BLOCK 3600

Material

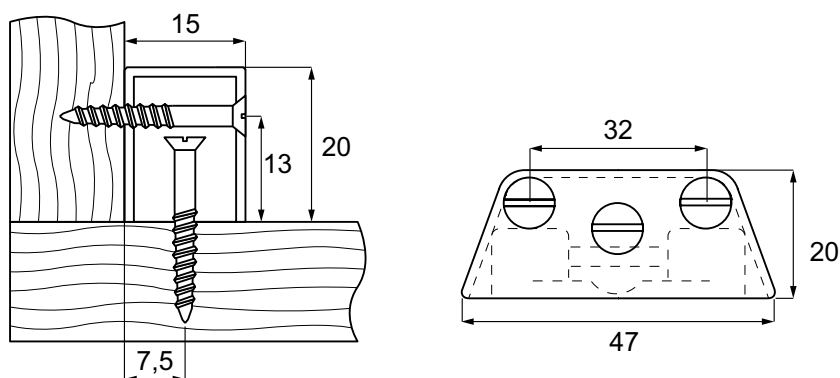
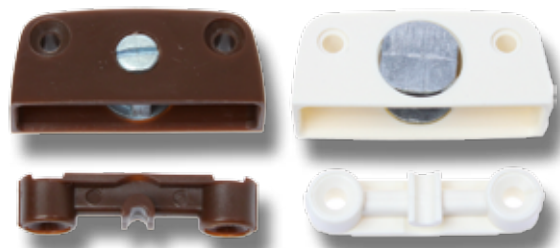
Plastic outer housing. Zamak camfix inside

Item No.

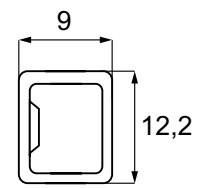
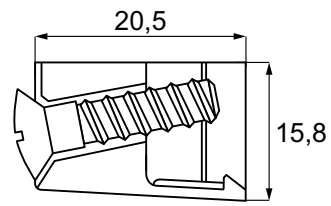
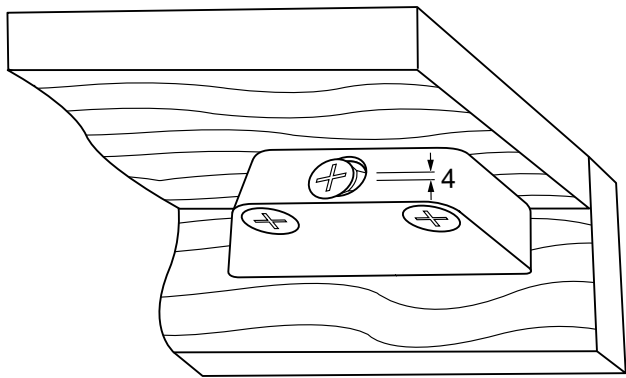
Brown # 11.05.061

White # 11.05.060

Apply 2 screws 3,5 mm for the housing and 2 screws 4.0 mm for inner part



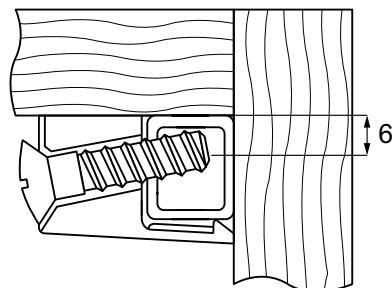
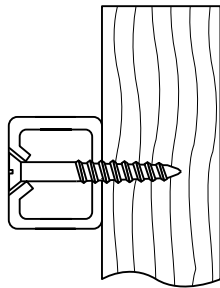
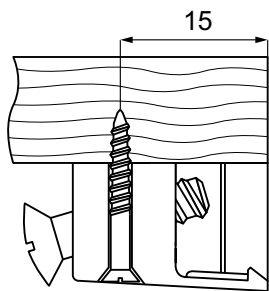
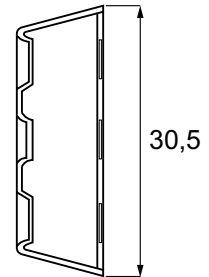
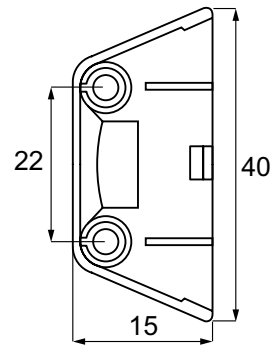
CORNER BLOCK "STRONG" - SCREW ON TYPE



CORNER BLOCK "STRONG" - SCREW ON TYPE

Material
 Zamak outer housing
 Premounted steel screw
 Steel part inner
 Apply 4 screws 4 mm

Item No. # 11.05.036

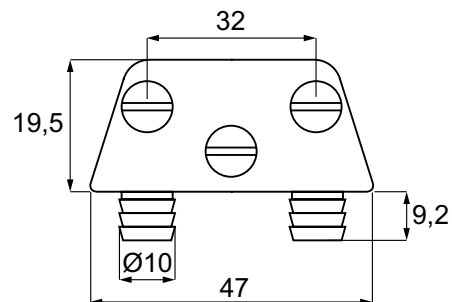
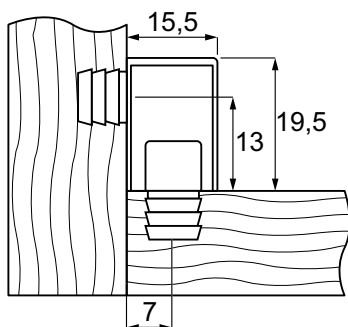


CORNER BLOCK "KNOCK IN TYPE"

CORNER BLOCK "KNOCK IN TYPE"

Material
 Plastic outer housing with knock in dowles
 Zamak camfix inside / inner part plastic with 2 dowels

Item No.
 White # 11.05.020
 Brown # 11.05.025



CORNERFIX NO. 100 W/COVER

- high quality furniture fittings

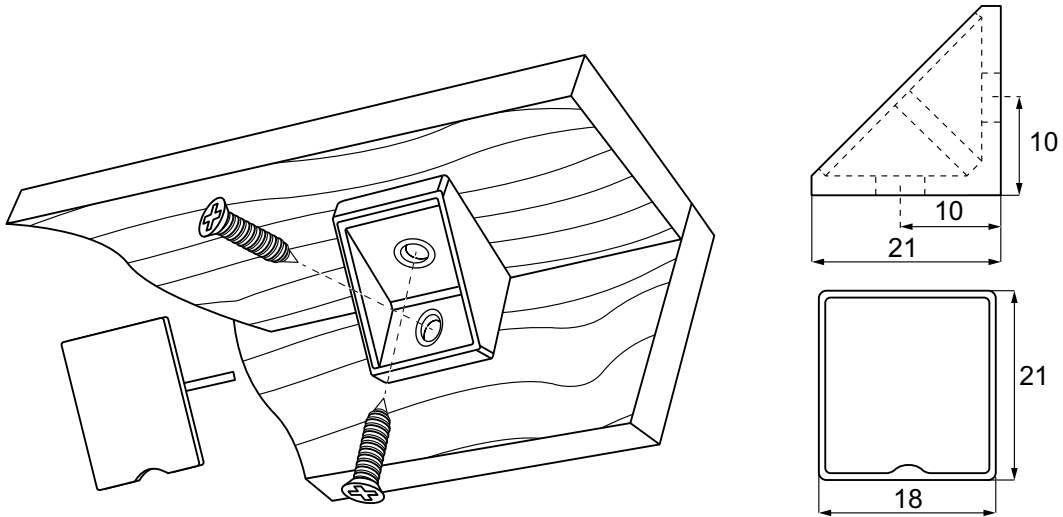
CORNERFIX NO. 100 W/COVER

Material
Plastic

Apply 2 screws 4 mm

Item No.

| | |
|------------------------|-------------|
| White | # 11.05.200 |
| Dark brown (RAL 8017) | # 11.05.210 |
| Light brown (RAL 8001) | # 11.05.220 |
| Black | # 11.05.220 |



CORNERFIX NO. 200 W/COVER

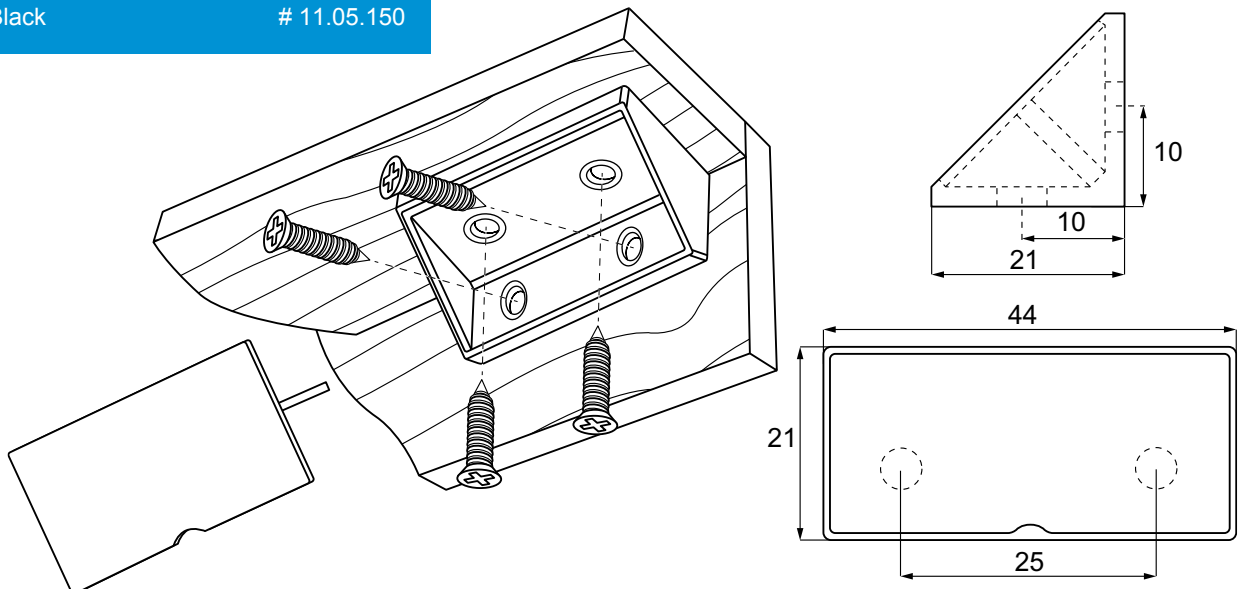
CORNERFIX NO. 200 W/COVER

Material
Plastic

Apply 4 screws 4 mm

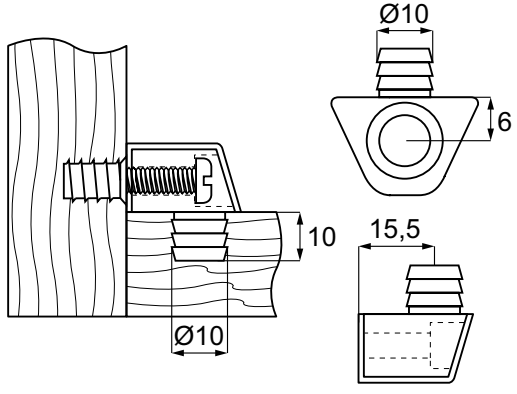
Item No.

| | |
|------------------------|-------------|
| Light brown (RAL 8001) | # 11.05.110 |
| Dark brown (RAL 8017) | # 11.05.120 |
| Ivory | # 11.05.130 |
| White | # 11.05.140 |
| Black | # 11.05.150 |



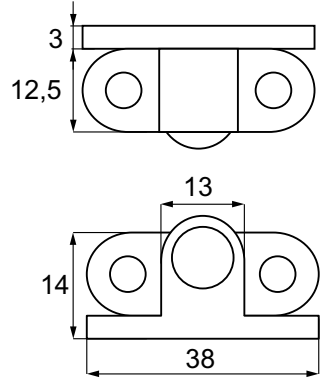
CORNERFIX NO. 300

CORNERFIX NO. 300
Material
 Plastic
 Apply panhead screws 4,5 mm
 or euroscrew panhead 6,3 mm
Item No.
 White # 11.05.810
 Brown upon request minimum
 10 000 pcs # 11.05.811



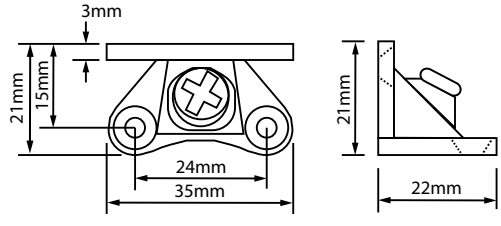
CORNERFIX MODEL "DAN"

CORNERFIX MODEL "DAN"
 with premounted screw
Material
 Zamak, yellow zinc plated
Item No. # 11.05.080



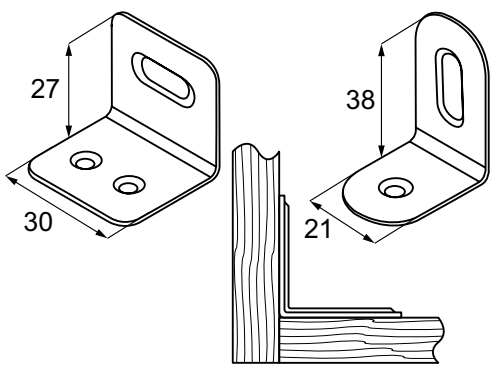
CORNERFIX MODEL "BUTTERFLY"

CORNERFIX MODEL "BUTTERFLY"
 with premounted screw
Material
 Zamak raw
Item No. # 11.05.100



METAL CORNER CLIP

METAL CORNER CLIP
Material
 Steel. Bright zinc plated
Item No.
 Size 21 x 38 x 28 mm # 24.09.010
 Size 30 x 27 x 27 mm # 24.09.020



SNAP FITTING # 214

- high quality furniture fittings



SNAP FITTING # 214

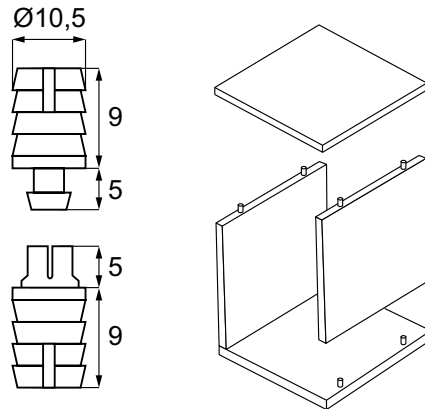
Material
Plastic

Item No.

Male part only # 11.06.012

Female part only # 11.06.013

Delivered in strips
Disassembly possible



EXPANSION DOWEL MODEL 1703

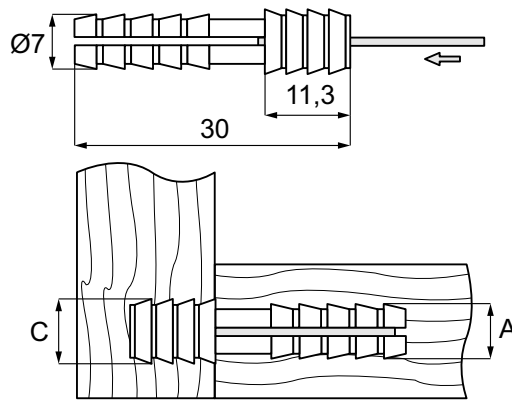
EXPANSION DOWEL MODEL 1703

Applied for assembly of drawers and smaller cabinets

Material
Plastic

Item No. # 11.06.021

A = 6,3 - 6,4 mm
C = 8 mm



MITRE DOWEL

MODEL 2522

MODEL 2521

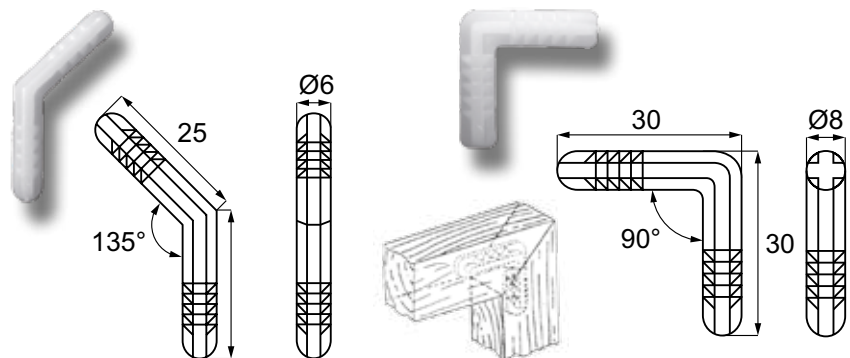
MITRE DOWEL

Material
White polyethylene

Item No.

Model 2522 # 11.06.052

Model 2521 # 11.06.050

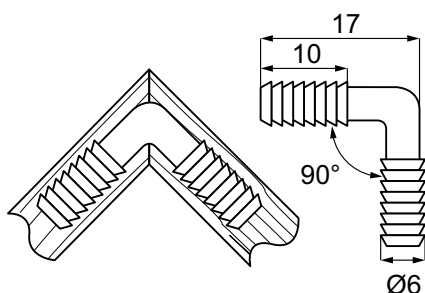


MITRE DOWEL MODEL 146

MITRE DOWEL MODEL 146

Material
White polyethylene

Item No. # 11.06.055

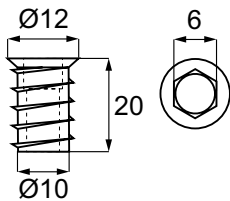
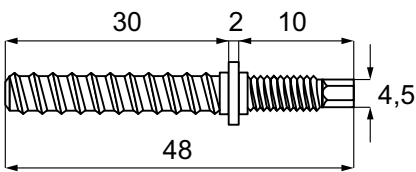
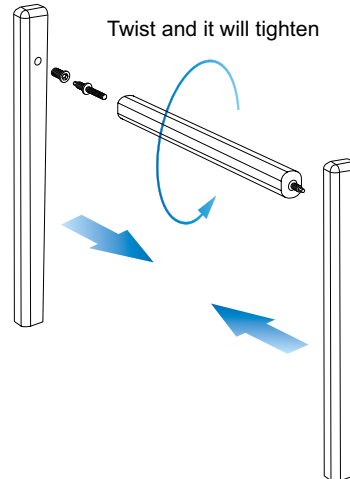
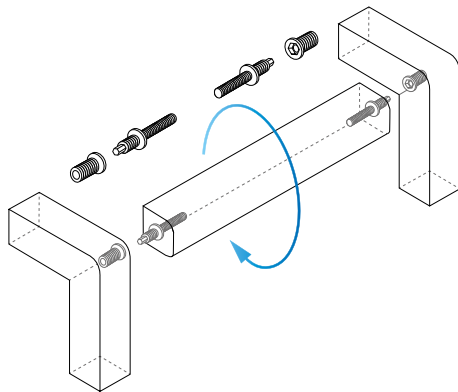


TWIST & TIGHT - CHAIR ASSEMBLY

Ideal knock down system for assembly of chairs.

Due to the combination of a left + right hand thread you can TIGHTEN the cross bars on your chair in one TWIST (move).

A system which gives the end-user the possibility of retightening the chair.



TWIST & TIGHT - CHAIR ASSEMBLY

Material

Steel. Black zinc plated

Item No.

Right turn, bushing 1/4" x 20 mm, bore Ø8 mm

11.04.315

Right turn, twister dowel 7 x 31 mm, bore Ø5 mm, 1/4" x 16 mm

11.04.320

Material

Steel. Bright zinc plated

Item No.

Left turn, bushing 1/4" x 20 mm, bore Ø8 mm

11.04.305

Left turn, twister dowel 7 x 31 mm, bore Ø5 mm, 1/4" x 16 mm

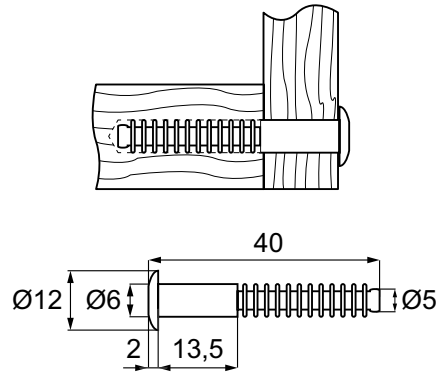
11.04.325

**FIXING DOWEL
& PANEL CONNECTORS**

Widely applied in the upholstery industry as arm facing fixing dowel and as a connector in wooden drawers etc.

Other sizes upon request

Item No. # 11.06.757

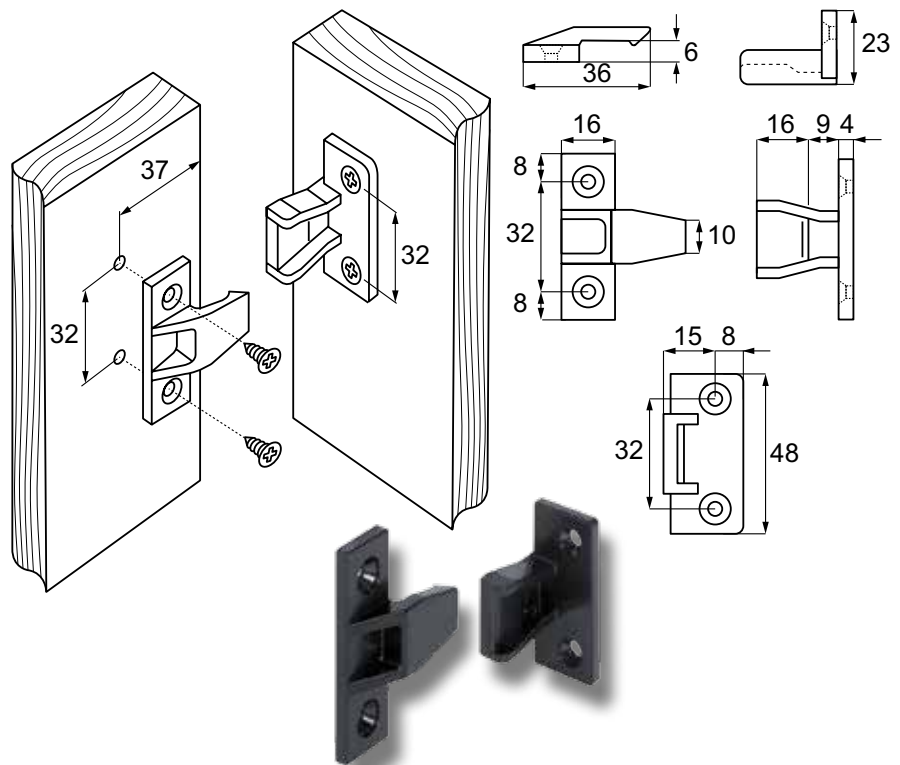


CLIP PANEL CONNECTOR "PUSH FIT"

**CLIP PANEL CONNECTOR
"PUSH FIT"
& ALL ROUND CONSTRUCTION FITTING**

Material
Plastic, black

Item No. # 11.05.600



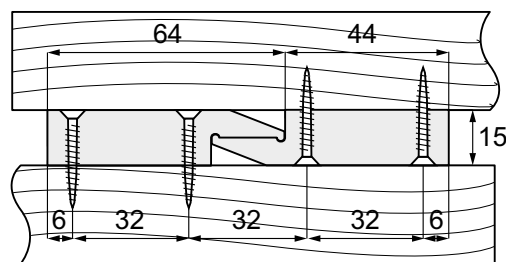
MULTI CLIP

MULTI CLIP

Multi purpose construction fitting mainly used on panels which can be assembled & disassembled

Material
Plastic, black

Item No. # 11.05.610



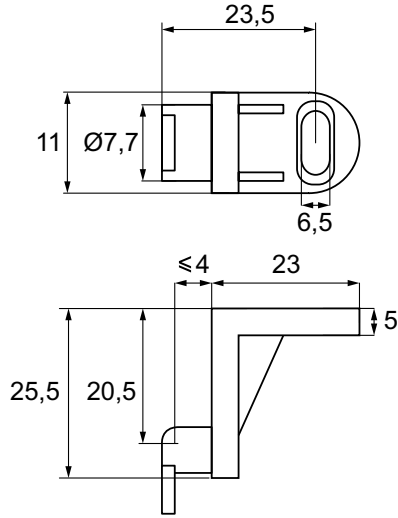
REAR PANEL CONNECTOR RV 3

REAR PANEL CONNECTOR RV 3

Short arm for 3-5 mm rear panel
Apply screw 5 - 5,5 mm

Item No.

Brown # 11.05.500
White # 11.05.501



REAR PANEL CONNECTOR VB-202

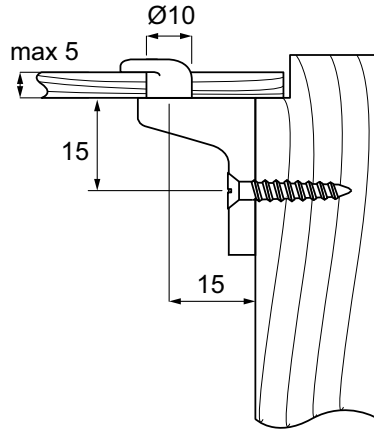
REAR PANEL CONNECTOR VB-202

Short arm for rear panel max 5 mm
Apply screw 3,5 mm

Material

Zamak nickel plated

Item No. # 11.05.510



REAR PANEL CONNECTOR VB-500

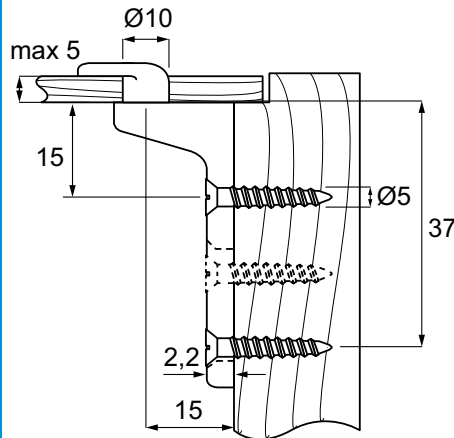
REAR PANEL CONNECTOR VB-500

Long arm for rear panel max 5 mm
Apply screw 3,5 mm & 5,5 mm

Material

Zamak nickel plated

Item No. # 11.05.520



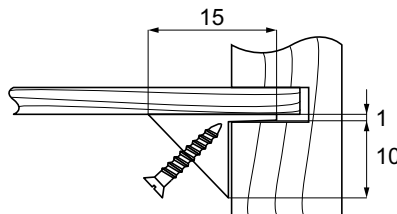
STABILIZER F/DRAWERS & BACK PANELS

STABILIZER F/DRAWERS & BACK PANELS

Material

Plastic - White

W/Premounted screw # 11.05.700
Without screw # 11.05.710



KEYHOLE FIXTURE MODEL 700

- high quality furniture fittings

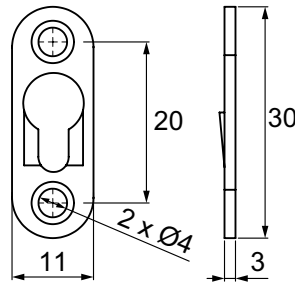
KEYHOLE FIXTURE MODEL 700

Stamped fitting made of heavy gauge steel for mounting pictures, shelves, notice boards, ornaments clocks etc.

Designed to be attached to a surface or inlay, allowing a 5 mm countersunk or panhead screw to be inserted into the hole and retained by the lower narrow space, and 4,0 mm screw for attachment of the fixture to the panel

Material
Steel BZP

Item No. # 11.06.813



KEYHOLE FIXTURE MODEL 726

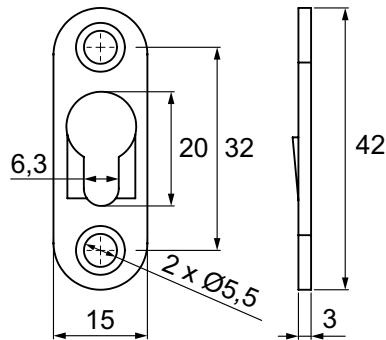
KEYHOLE FIXTURE MODEL 726

Stamped fitting made of heavy gauge steel for mounting pictures, shelves, notice boards, ornaments clocks etc.

Designed to be attached to a surface or inlay, allowing a 5 mm countersunk or panhead screw to be inserted into the hole and retained by the lower narrow space, and 4 mm screw for attachment of the fixture to the panel

Material
Steel BZP

Item No. # 11.06.810



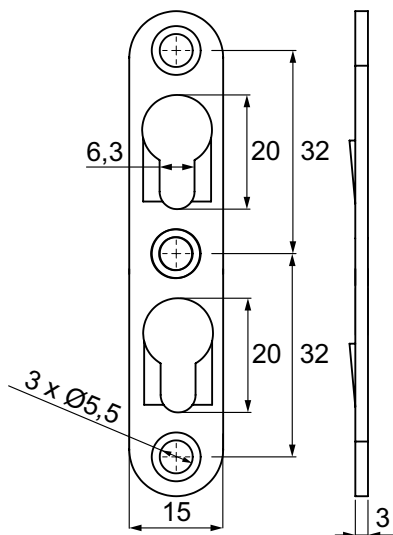
KEYHOLE FIXTURE MODEL 724

KEYHOLE FIXTURE MODEL 724

Twin hole multipurpose fitting apply 5 mm panhead or countersunk screws to be inserted and retained and 4 screw for attachment of the fixture to the panel

Material
Steel BZP

Item No. # 11.06.800



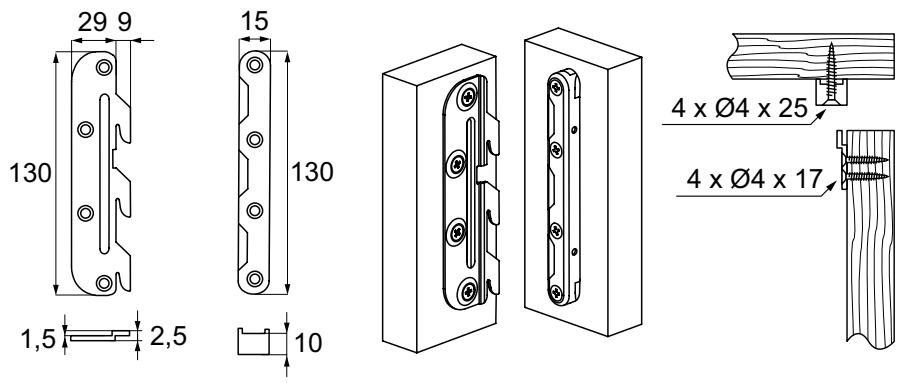
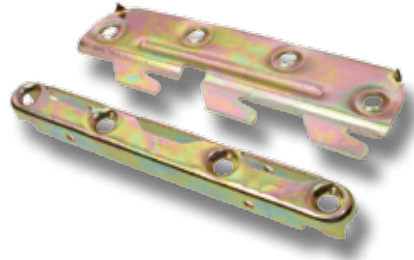
BED RAIL BRACKET MODEL 3750

BED RAIL BRACKET MODEL 3750

Material
Steel

One set consist of
4 male parts
4 female parts

Item No.
Yellow zinc plated # 11.01.060
Bright zinc plated # 11.01.061



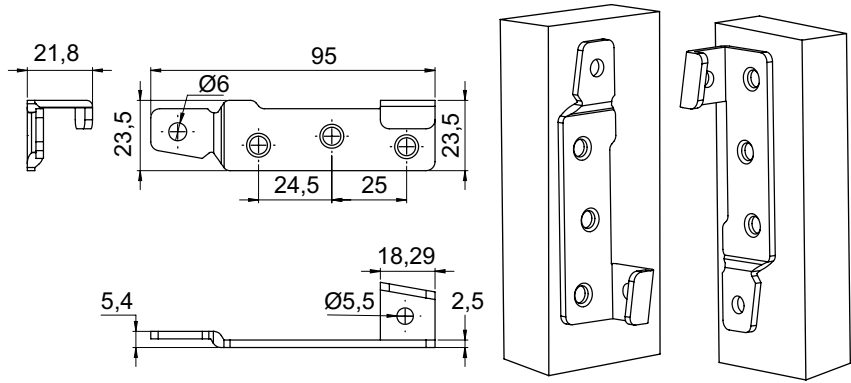
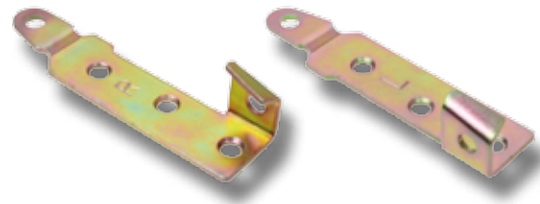
BED RAIL BRACKET MODEL 3553

BED RAIL BRACKET MODEL 3553

Material
Steel

One set consist of
4 male parts
4 female parts

Item No.
Yellow zinc plated # 11.01.010



BED RAIL BRACKET MODELS 3703 & 3704

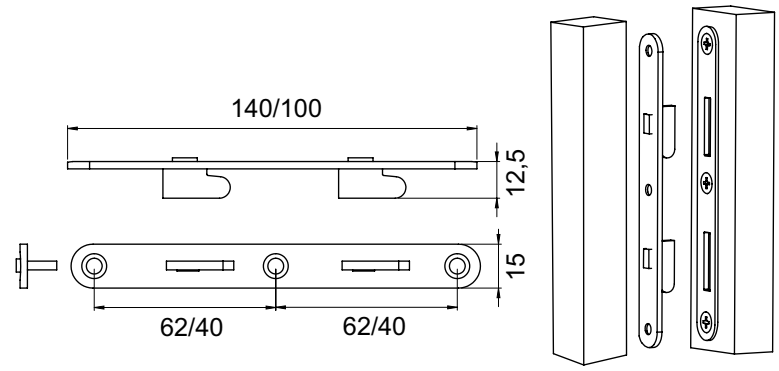
BED RAIL BRACKET MODELS 3703 & 3704

Double hooks
Rounded corner

Material
Steel

One set consist of
4 male parts
4 female parts

Item No.
Model 3703 - 100 mm
Bright zinc plated # 11.01.045
Model 3704 - 140 mm
Bright zinc plated # 11.01.035



SUPPORT BRACKET MODEL 3892

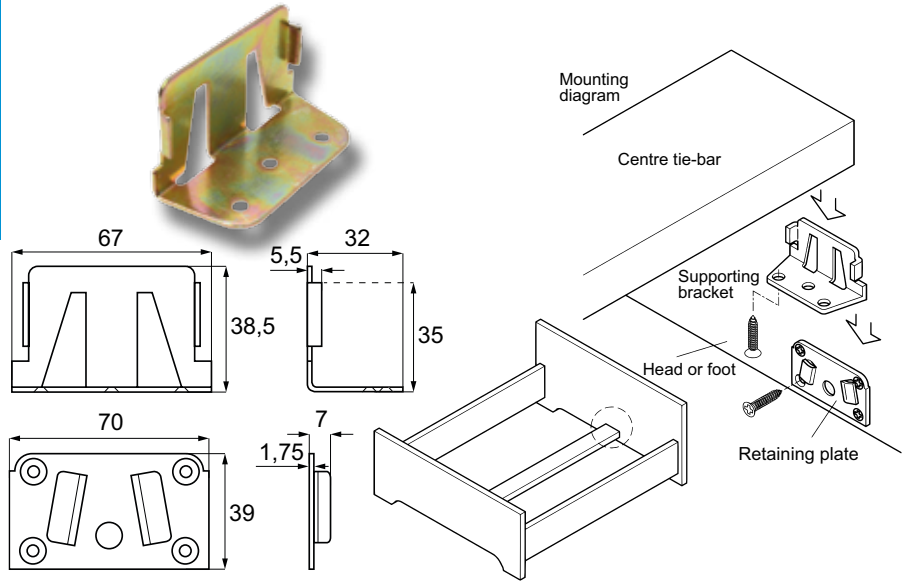
- high quality furniture fittings

SUPPORT BRACKET MODEL 3892

Material
Steel, yellow zinc plated

Item No.

Male part # 11.02.035
Female part # 11.02.040



SUPPORT BRACKET MODEL "REGULO"

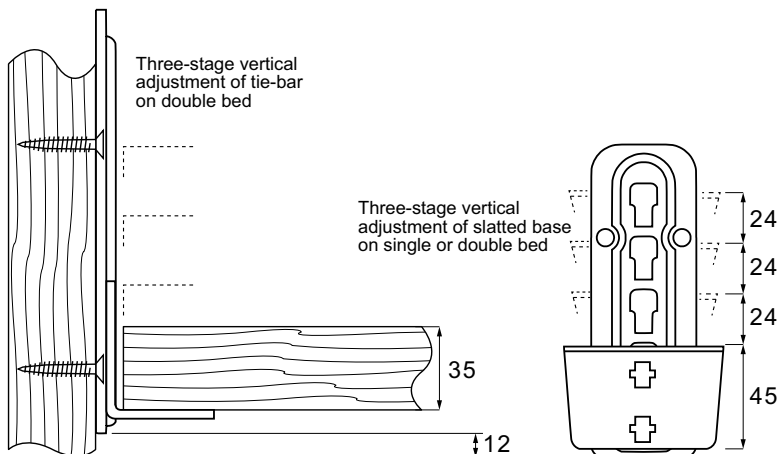
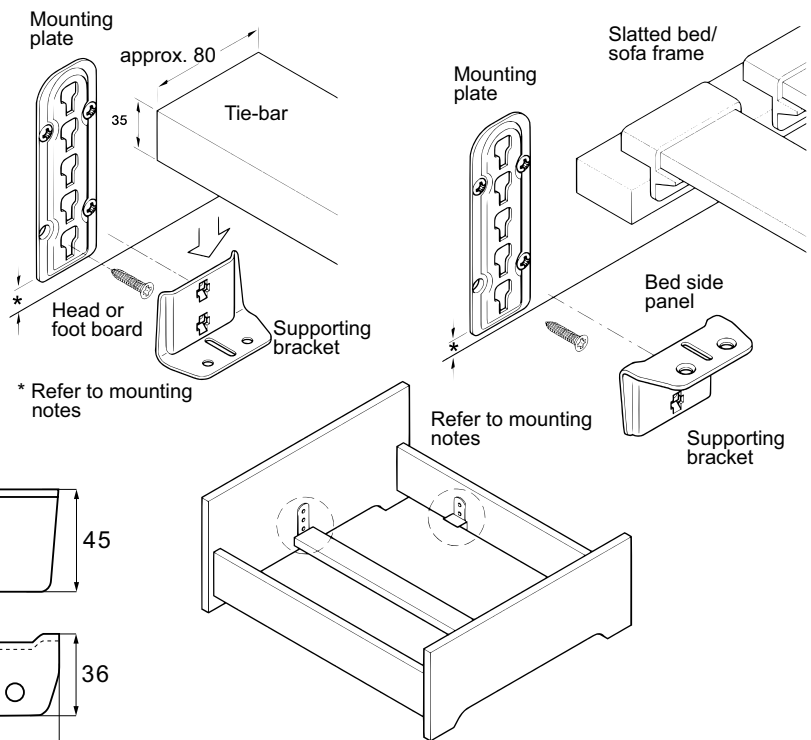
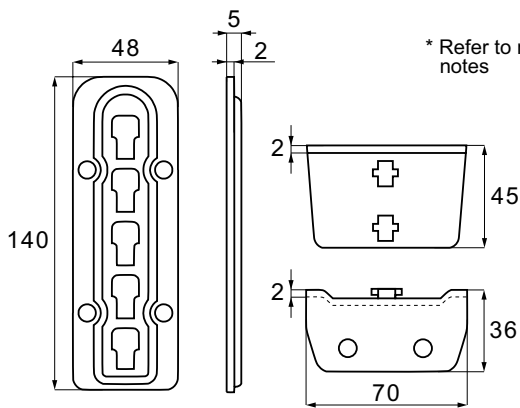
SUPPORT BRACKET MODEL "REGULO"

Material
Steel

One set consist of
1 male part
1 female part

Item No.

Yellow zinc plated # 11.01.110



JOINT CONNECTOR "ZIMAK"

JOINT CONNECTOR "ZIMAK"

Apply where invisible joints of great strenght are desired such as beds, tables and other corpus constructions

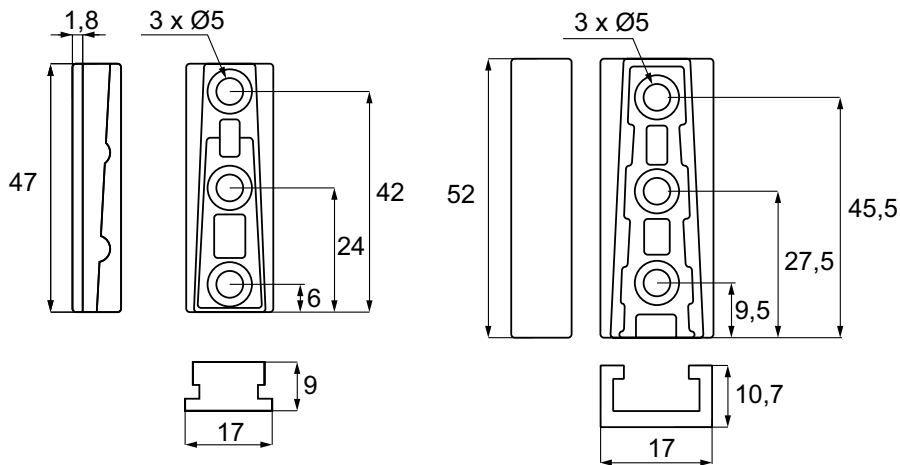
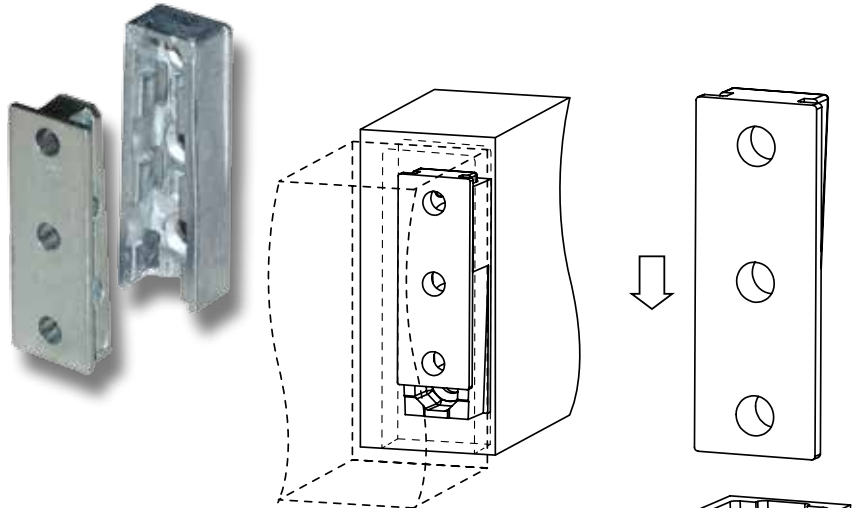
Material

Zamak, raw

Item No.

Female part # 11.01.500
Male part # 11.01.501

Apply screws 4 - 4,5 mm for attachment of this fitting to panels



ROW CONNECTOR

ROW CONNECTOR

Ideal to connect rows of furniture such as chairs, tables etc.

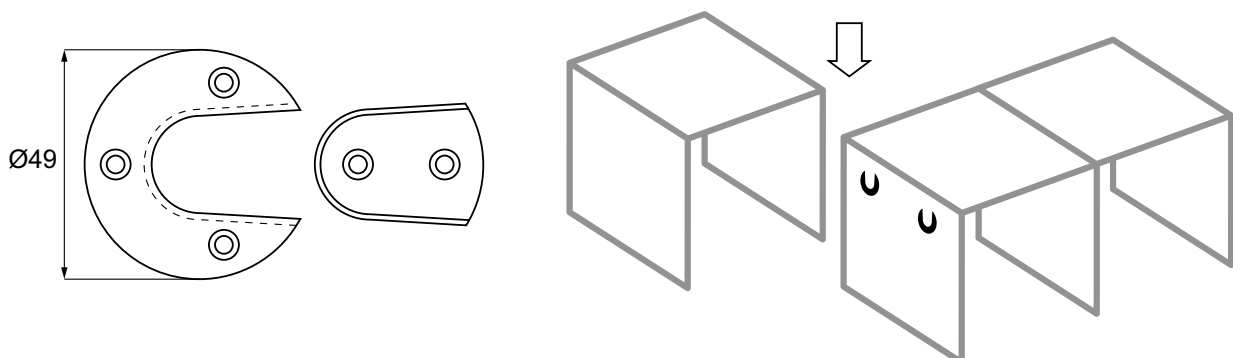
Material

Nylon, black

Item No.

Male part # 06.05.066
Female part # 06.05.067

Screws to be bought seperately



BEECH WOOD DOWELS

SISO wooden dowels are properly dried and manufactured according to DIN norm

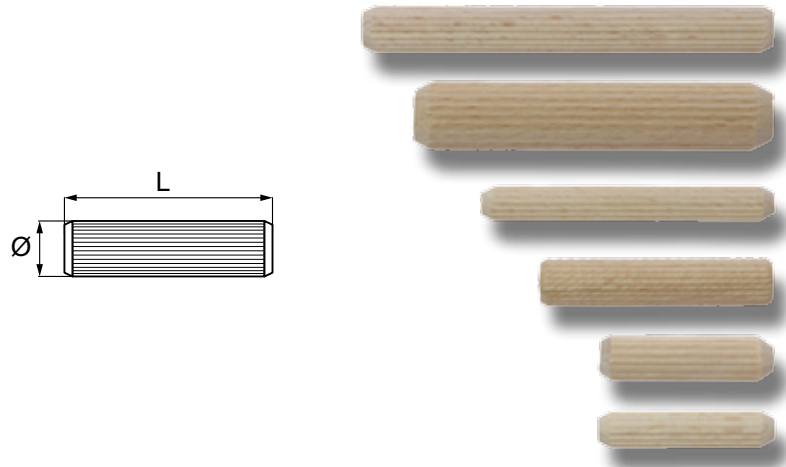
Item No.

Ø x L

| | |
|------------|--------------------------|
| 6 x 20 mm | # 11.06.059 (only birch) |
| 6 x 25 mm | # 11.06.060 |
| 6 x 50 mm | # 11.06.150 |
| 8 x 30 mm | # 11.06.170 |
| 8 x 35 mm | # 11.06.180 |
| 8 x 40 mm | # 11.06.190 |
| 8 x 50 mm | # 11.06.210 |
| 10 x 35 mm | # 11.06.282 |
| 10 x 40 mm | # 11.06.291 |
| 10 x 50 mm | # 11.06.310 |

Other sizes up-on request.

Also available in birch on request



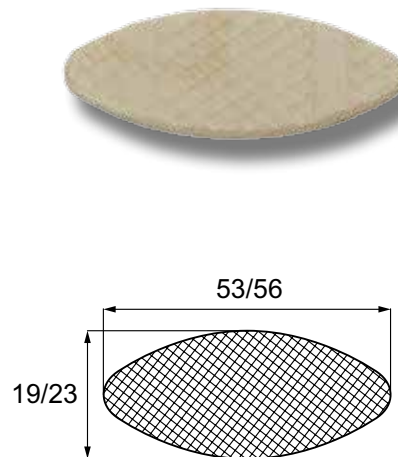
WOODEN JOINING BISCUITS

WOODEN JOINING BISCUITS

The wooden biscuits are made from cross branded laminations of compressed birch wood. Birch timber provides superior strength and consistent plate thickness suitable for joining wooden panels such as chipboard and MDF

Item No.

| | |
|----------------|-------------|
| 53 x 19 x 4 mm | # 11.06.361 |
| 56 x 23 x 4 mm | # 11.06.362 |



EUROSCREWS

EUROSCREWS

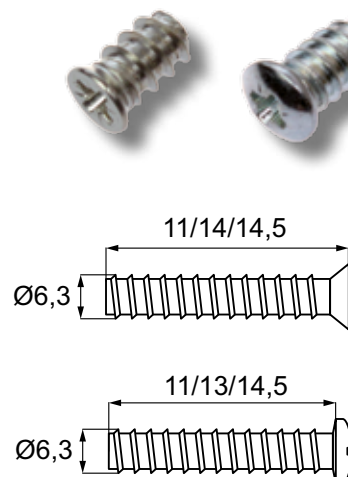
Item No.

Countersunk head

| | |
|----------------|-------------|
| Ø6,3 x 11 mm | # 11.04.603 |
| Ø6,3 x 14 mm | # 11.04.635 |
| Ø6,3 x 14,5 mm | # 11.04.634 |

Pan head

| | |
|--------------|-------------|
| Ø6,3 x 11 mm | # 11.04.617 |
| Ø6,3 x 13 mm | # 11.04.620 |
| Ø6,3 x 14 mm | # 11.04.625 |

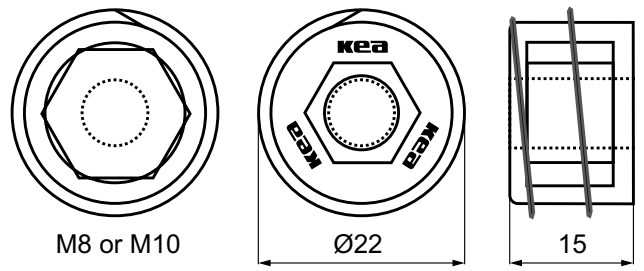


KEA SCREW-IN BUSHING



KEA SCREW-IN BUSHING
W/SPRING-LOADED INTERNAL THREAD

| | | |
|----------------------|----------------|-------------|
| Material | Zamak, plain | |
| Bore | Ø22 mm x 15 mm | |
| Threaded hole | M8 & M10 | |
| Item No. | M8 | # 11.07.010 |
| | M10 | # 11.07.011 |

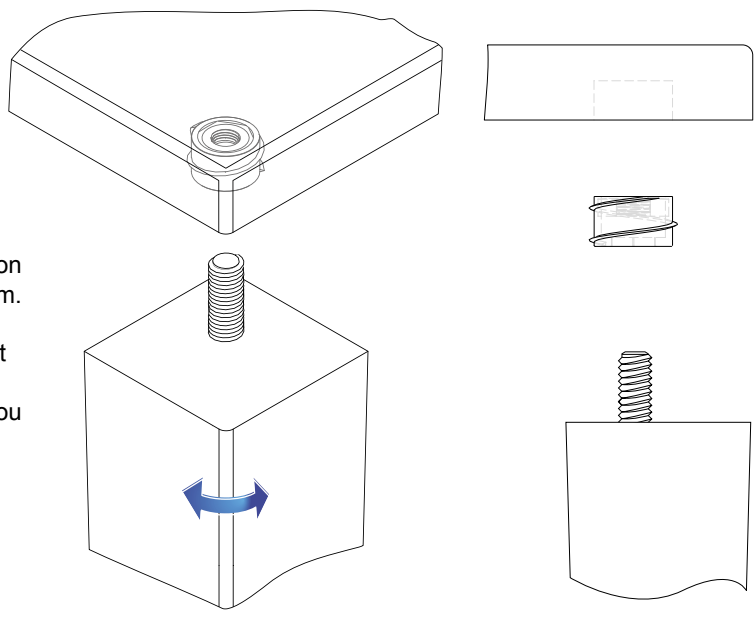


KEA BUSHING FOR TABLES

The perfect solution for coffee and dining tables.

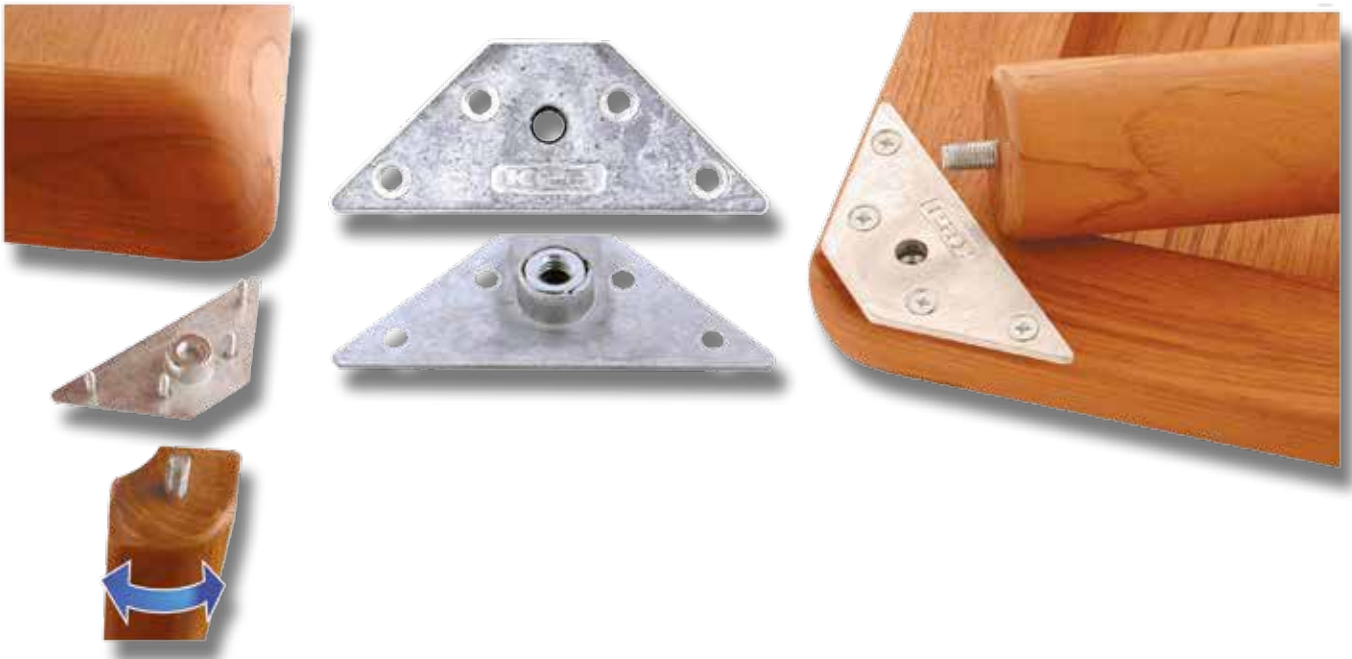
The KEA solution gives you the possibility to tighten and adjust your table leg in any position due to its patented internal spring-loaded system. With a traditional bushing you normally reach a point where you cannot turn in the hangerbolt any further. If you then have a square table leg that has to be flush with the edge of the table you have a problem. Only by heavy force you can try to turn your table leg further and risk that the wood cracks.

This will not happen with the KEA bushing due to its patented internal spring-loaded system.



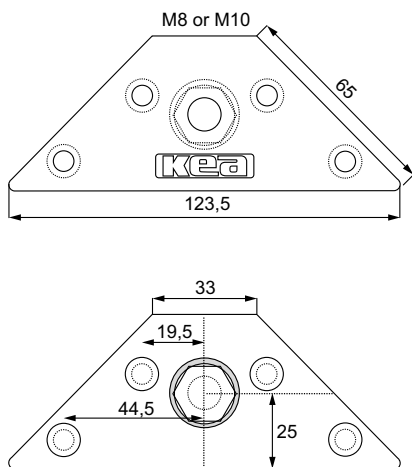
KEA SCREW-IN BUSHING

- high quality furniture fittings

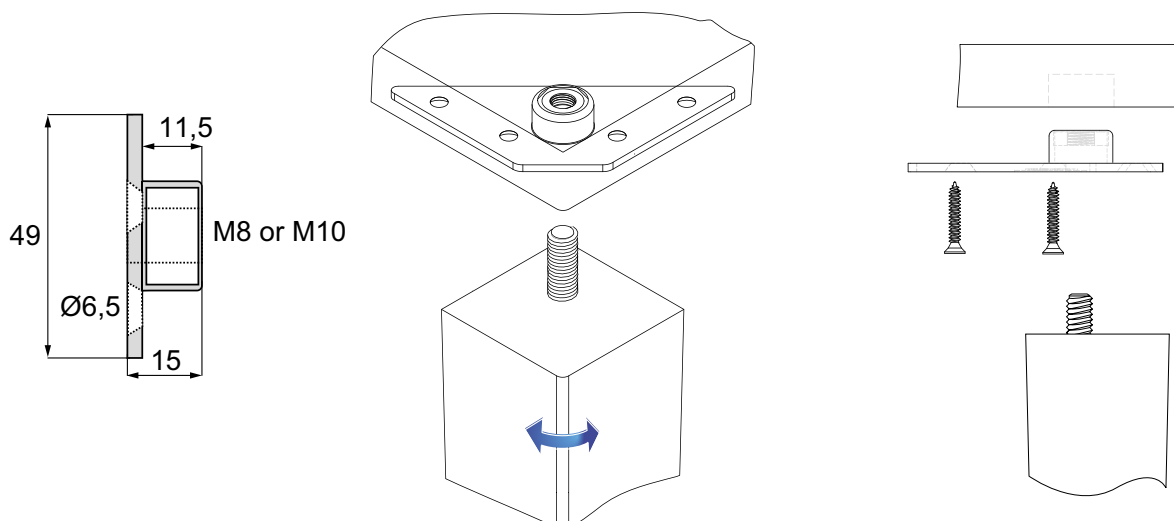


KEA SCREW-IN BUSHING TRIANGULAR PLATE W/SPRING-LOADED INTERNAL THREAD

| | | |
|----------------------|--------------------|-------------|
| Material | Zamak, plain | |
| Size | 123,5 x 33 x 65 mm | |
| Threaded hole | M8 & M10 | |
| Item No. | M8 | # 11.07.015 |
| | M10 | # 11.07.016 |



The triangular KEA has been tested by SP Swedish National Testing and Research Institute and has proven strong even for bed frame use

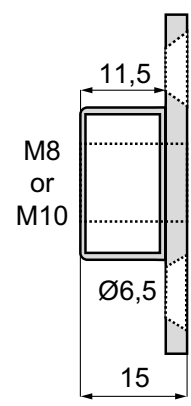
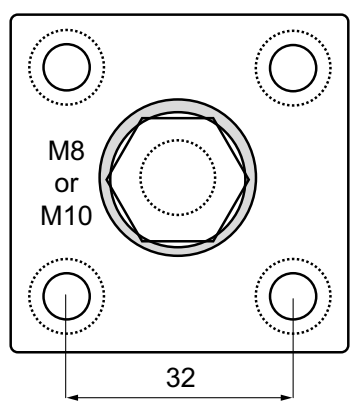
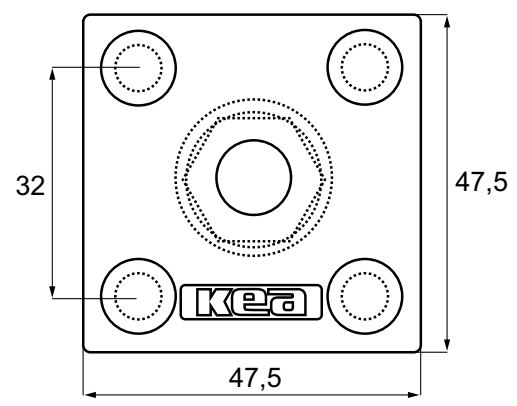
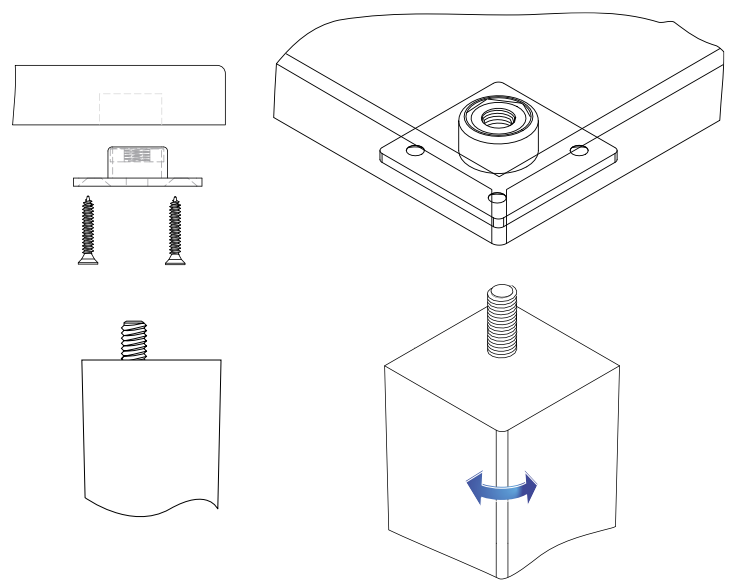


KEA SCREW-IN BUSHING



**KEA SCREW-IN BUSHING
SQUARE PLATE
W/SPRING-LOADED INTERNAL THREAD**

| | | |
|----------------------|----------------|-------------|
| Material | Zamak, plain | |
| Size | 47,5 x 47,5 mm | |
| Threaded hole | M8 & M10 | |
| Holes | c/c 32 mm | |
| Item No. | M8 | # 11.07.001 |
| | M10 | # 11.07.002 |



KEA SCREW-IN BUSHING

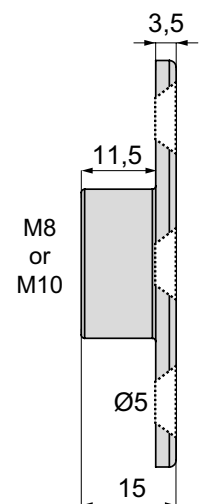
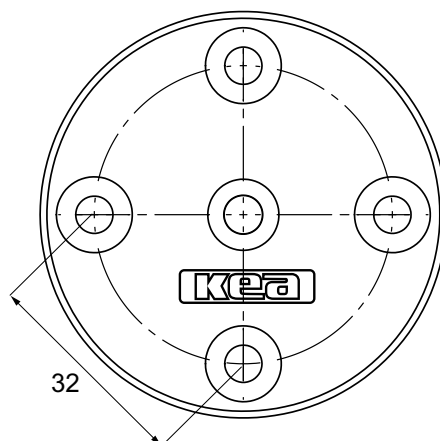
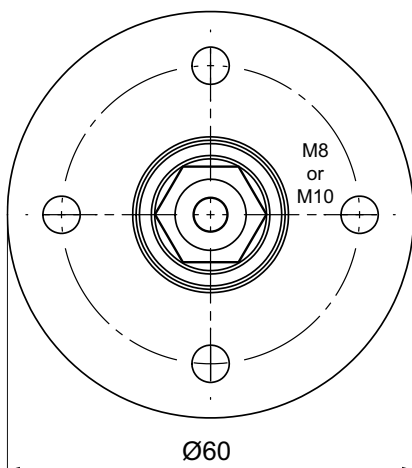
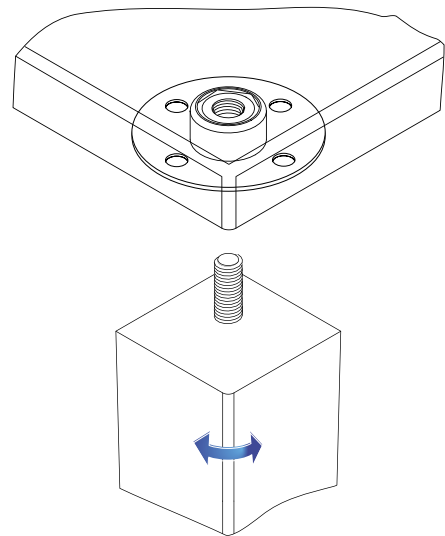
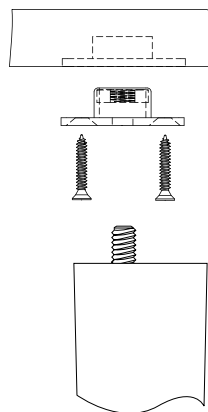
- high quality furniture fittings



KEA SCREW-IN BUSHING ROUND PLATE W/SPRING-LOADED INTERNAL THREAD

| | | |
|---------------|--------------|-------------|
| Material | Zamak, plain | |
| Size | Ø60 mm | |
| Threaded hole | M8 & M10 | |
| Hole | c/c 32 mm | |
| Item No. | M8 | # 11.07.005 |
| | M10 | # 11.07.006 |

Flush mounting
for strength



LEG CORNER BRACKETS

MODEL 21

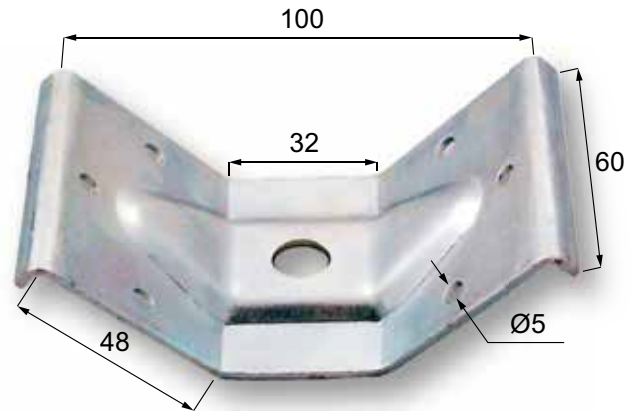
Hight 60 mm 1 hole f/M8 or M10 bolt

Steel thickness 1,5 mm

Steel, yellow zinc plated, 12 micron # 11.07.035
 Steel, bright zinc plated # 11.07.030
 Stainless Steel # 11.07.110

Steel thickness 2 mm

Steel, yellow zinc plated, 12 micron # 11.07.037
 Steel, bright zinc plated # 11.07.038
 Stainless Steel # on request



MODEL 22

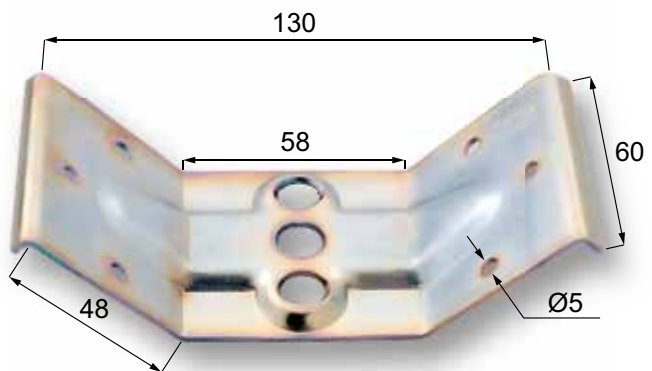
Hight 60 mm 1 or 3 holes f/M8 or M10 bolt

1 hole, steel thickness 2 mm

Steel, yellow zinc plated, 12 micron # 11.07.042
 Steel, bright zinc plated # 11.07.040
 Stainless Steel # on request

3 hole, steel thickness 2 mm

Steel, yellow zinc plated, 12 micron # 11.07.043
 Steel, bright zinc plated # 11.07.041
 Stainless Steel # on request



MODEL 23

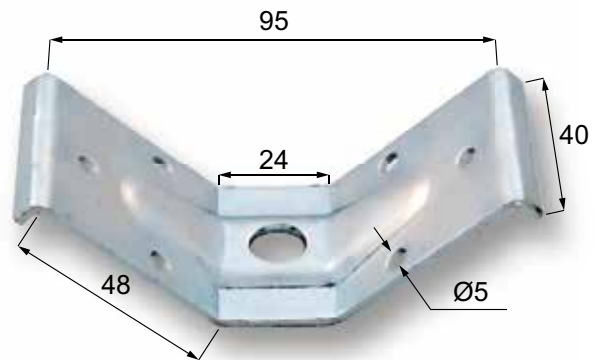
Hight 40 mm 1 hole f/M8 or M10 bolt

Steel thickness 1,5 mm

Steel, yellow zinc plated, 12 micron # 11.07.051
 Steel, bright zinc plated # 11.07.050
 Stainless Steel # on request

Steel thickness 2 mm

Steel, yellow zinc plated, 12 micron # 11.07.056
 Steel, bright zinc plated # 11.07.055
 Stainless Steel # on request



MODEL 26

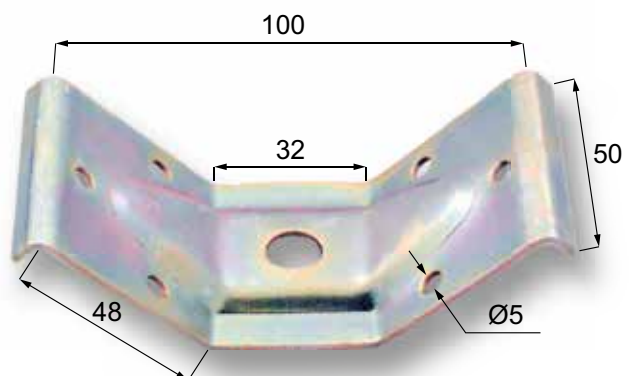
Hight 50 mm 1 hole f/M8 or M10 bolt

Steel thickness 1,5 mm

Steel, yellow zinc plated, 12 micron # 11.07.061
 Steel, bright zinc plated # 11.07.060
 Stainless Steel # on request

Steel thickness 2 mm

Steel, yellow zinc plated, 12 micron # 11.07.066
 Steel, bright zinc plated # 11.07.065
 Stainless Steel # on request



LEG CORNER BRACKETS

- high quality furniture fittings

MODEL 27

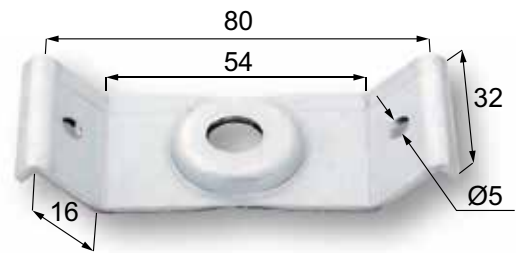
Hight 32 mm 1 hole f/M8 or M10 bolt

Steel thickness 2 mm

Steel, yellow zinc plated, 12 micron # 11.07.071

Steel, bright zinc plated # 11.07.070

Stainless Steel # on request



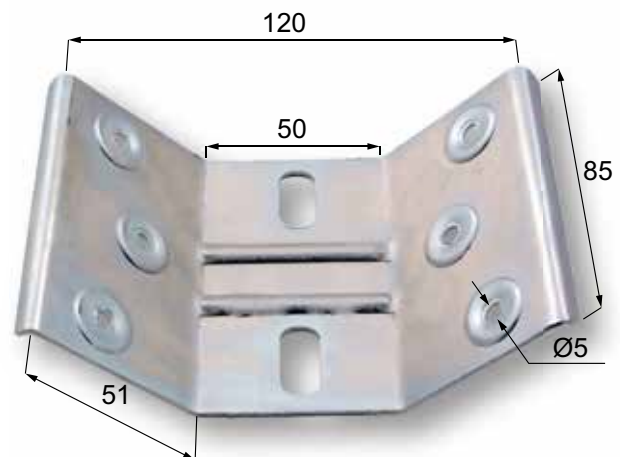
MODEL 28

Hight 85 mm 2 holes f/M8 or M10 bolt

Steel thickness 2 mm

Steel, yellow zinc plated, 12 micron # 11.07.075

Steel, bright zinc plated # 11.07.076



MODEL 29

Hight 70 mm 2 holes f/M8 or M10 bolt

Steel thickness 1,5 mm

Steel, yellow zinc plated, 12 micron # 11.07.080

Steel, bright zinc plated # 11.07.081



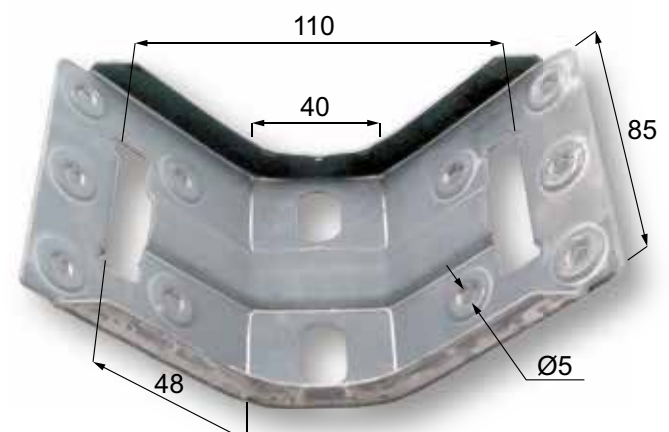
MODEL 30

Hight 85 mm 2 holes f/M8 or M10 bolt

Steel thickness 1,5 mm

Steel, yellow zinc plated, 12 micron # 11.07.090

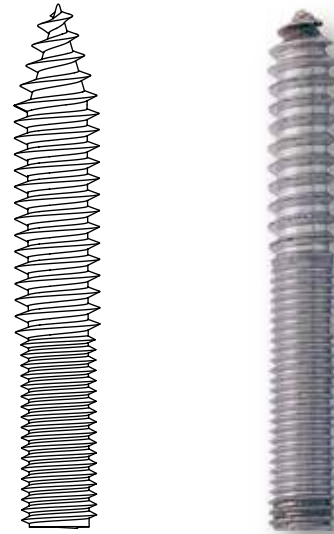
Steel, bright zinc plated # 11.07.091



HANGERBOLTS

| | | | |
|-----------------|-----------------------------------|--------------|-----------------|
| Material | Steel | | |
| Finish | Yellow zinc or bright zinc plated | | |
| Size | Item No. | Size | Item No. |
| M4 x 25 mm | # 12.13.000 | M8 x 100 mm | # 12.13.037/38 |
| M4 x 50 mm | # 12.13.001 | M10 x 50 mm | # 12.13.150 |
| M6 x 50 mm | # 12.13.006/08 | M10 x 60 mm | # 12.13.160/61 |
| M6 x 60 mm | # 12.13.016/17 | M10 x 70 mm | # 12.13.170 |
| M8 x 50 mm | # 12.13.022/23 | M10 x 80 mm | # 12.13.180 |
| M8 x 60 mm | # 12.13.027 | M10 x 90 mm | # 12.13.190 |
| M8 x 70 mm | # 12.13.031/32 | M10 x 100 mm | # 12.13.100 |
| M8 x 80 mm | # 12.13.035 | M10 x 120 mm | # 12.13.205 |

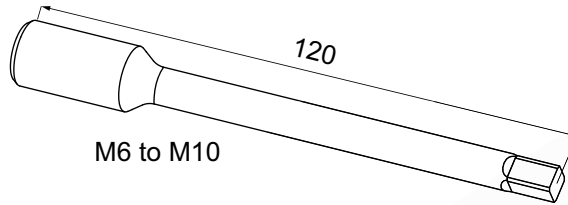
Other sizes on request



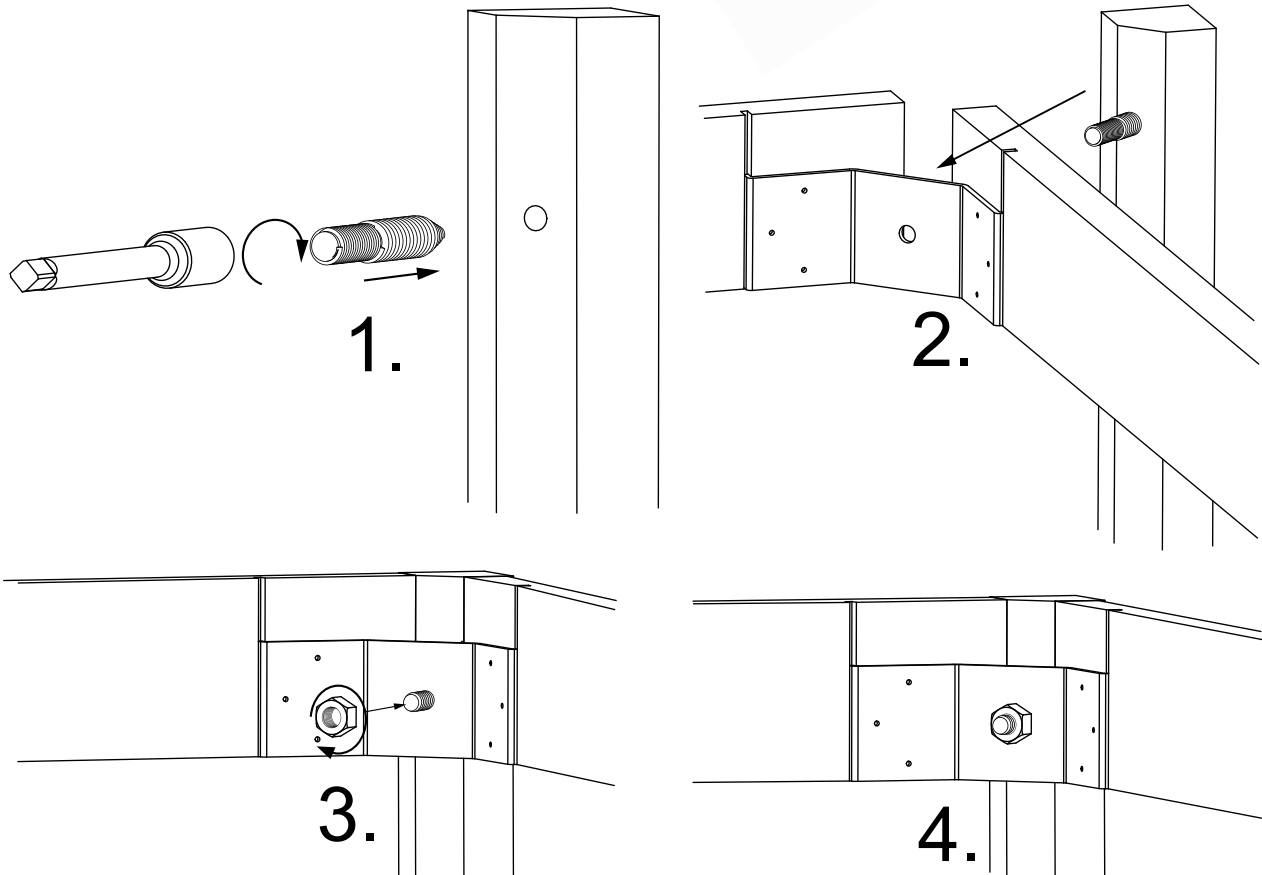
M4 to M10

TOOL FOR INSERTING HANGERBOLTS

| | |
|-------------|-----------------|
| Size | Item No. |
| M6 | # 12.13.100 |
| M8 | # 12.13.105 |
| M10 | # 12.13.115 |



M6 to M10



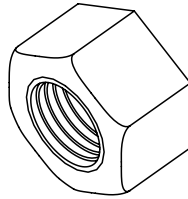
HEXAGONAL NUT & WING NUTS

- high quality furniture fittings

HEXAGONAL NUT

DIN 934

| | |
|-----------------|----------------------------|
| Material | Steel |
| Finish | Yellow zinc or bright zinc |
| Item No. | |
| Size | |
| M6 | # 12.11.905/906 |
| M8 | # 12.12.015/016 |
| M10 | # 12.12.026/027 |

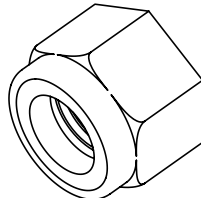


M6 to M10



HEXAGONAL NUT W/NYLON RING DIN 985

| | |
|-----------------|----------------------------|
| Material | Steel & nylon |
| Finish | Yellow zinc or bright zinc |
| Item No. | |
| Size | |
| M6 | # 12.12.421 |
| M8 | # 12.12.440 |
| M10 | # 12.12.445 |

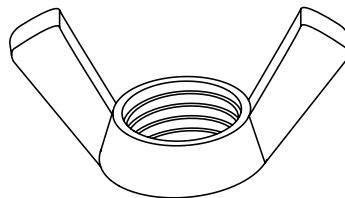


M6 to M10



WING NUT

| | |
|-----------------|----------------------------|
| Material | Steel |
| Finish | Yellow zinc or bright zinc |
| Item No. | |
| Size | |
| M6 | # 12.12.050/051 |
| M8 | # 12.12.055/058 |
| M10 | # 12.12.060/061 |

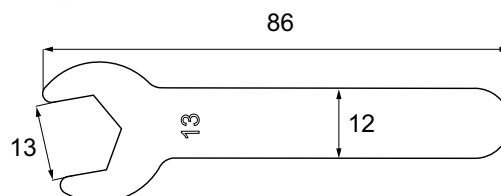


M6 to M10



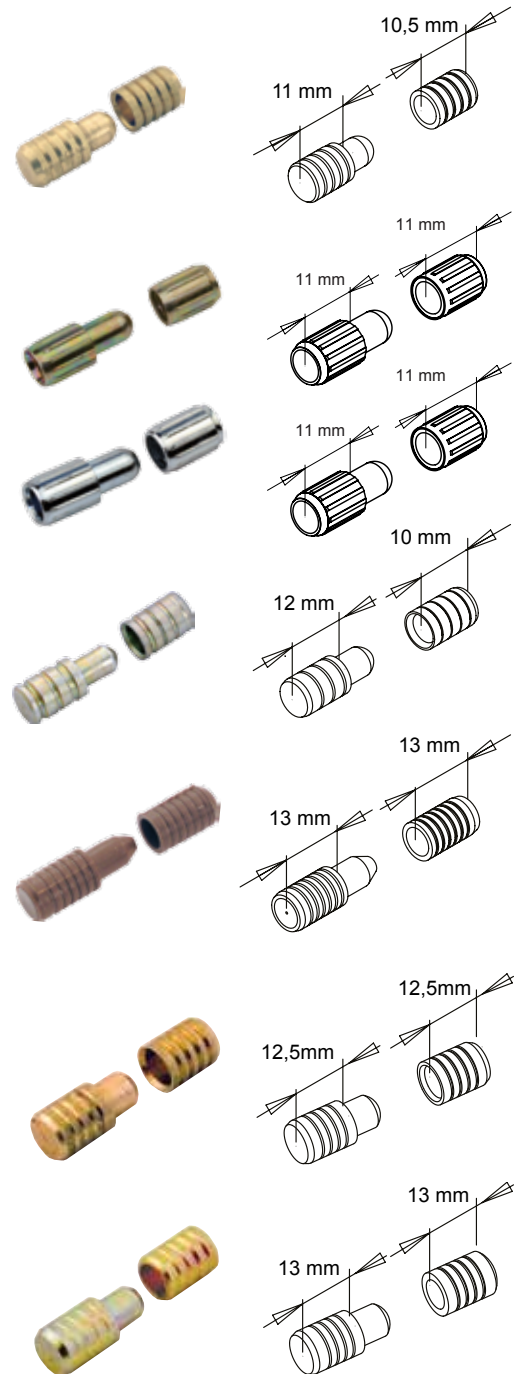
WRENCH KEY F/HEX NUTS

| | |
|------------------------------|---------------------------|
| WRENCH KEY F/HEX NUTS | |
| Material | Steel, yellow zinc plated |
| Hex | 8 mm (other on request) |
| Item No. | |
| Hardened steel | # 12.06.155 |
| Unhardened steel | # 12.06.150 |



LOCATING PINS

| | | |
|-----------------|---|-------------|
| Material | Brass | |
| Size | Ø8 x 21,5 mm | |
| Finish | Natural | |
| Item No. | Male | # 11.06.855 |
| | Female | # 11.06.856 |
| Material | Steel | |
| Size | Ø8 x 22 mm | |
| Finish | Yellow Zinc 12 Micron or Bright Zinc 3 Micron | |
| Item No. | Male - YZP | # 11.06.846 |
| | Female - YZP | # 11.06.845 |
| | Male - BZP | # 11.06.850 |
| | Female - BZP | # 11.06.849 |
| Material | Steel | |
| Size | Ø8 x 22 mm | |
| Finish | Yellow Zinc 12 Micron | |
| Item No. | Male & Female | # 11.06.851 |
| Material | Nylon | |
| Size | Ø8 x 26 mm | |
| Finish | Brown | |
| Item No. | Male | # 11.06.890 |
| | Female | # 11.06.891 |
| Material | Brass | |
| Size | Ø10 x 25 mm | |
| Finish | Natural | |
| Item No. | Male | # 11.06.857 |
| | Female | # 11.06.858 |
| Material | Steel | |
| Size | Ø10 x 26,2 mm | |
| Finish | Yellow Zinc 2-3 mycron | |
| Item No. | Male & Female | # 11.06.854 |



WASHERS

| | |
|-----------------|---|
| Material | Steel, Yellow Zinc Plated or Bright Zinc Plated Brass, Natural Stainless Steel, Natural |
| Sizes | Inner diameter 6,4/8,4 & 10,5 mm |
| Type | Flat washer DIN 125-A Spring washer DIN 127 Serrated lock washer DIN 6798A |
| Item No. | 12.13.294 etc. |

Spring washer

Serrated lock washer



Flat washer

THREADED BOLTS

| | |
|-----------------|--|
| Material | Steel, yellow zinc plated (other finishes on request) Stainless Steel, Natural Brass, Natural |
| Thread | M6 or M8 |
| Lengths | From 18 up to 1000 mm |
| Item No. | # 12.08.123 etc. |



STEEL, (YZP)

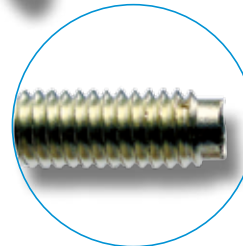
FIFTEEN SCREWS

| | |
|------------------|--|
| Material | Steel, yellow zinc plated (other finishes on request) Stainless Steel AISI 316 Brass, Natural |
| Head size | Ø15 x 2,5 mm (Ø13 & 17 mm on request) |
| Hex size | 4 mm |
| Thread | M6 (M8 on request) |
| Lengths | 25/30/35/40/45/50/60/70/80/90/100 & 120 mm |
| Type | With 3 mm point or conical (see illustration) |
| Item No. | # 12.00.800 etc. |

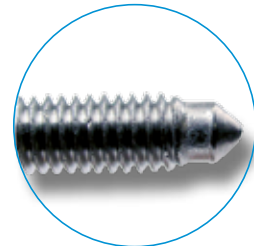


STAINLESS STEEL
AISI 316

STEEL, (YZP)



CONICAL



POINT

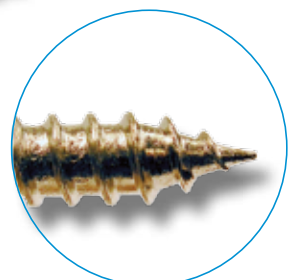
FIFTEEN WOOD SCREWS

| | |
|------------------|--|
| Material | Steel, yellow zinc plated (other finishes on request) |
| Head size | Ø15 x 2,5 mm |
| Hex size | 4 mm |
| Thread | Ø6,3 mm |
| Lengths | 40/50/60 & 70 mm (other sizes on request) |
| Type | With point (see illustration) |
| Item No. | # 12.01.340 etc. |



STAINLESS STEEL
AISI 316

STEEL, (YZP)



POINT

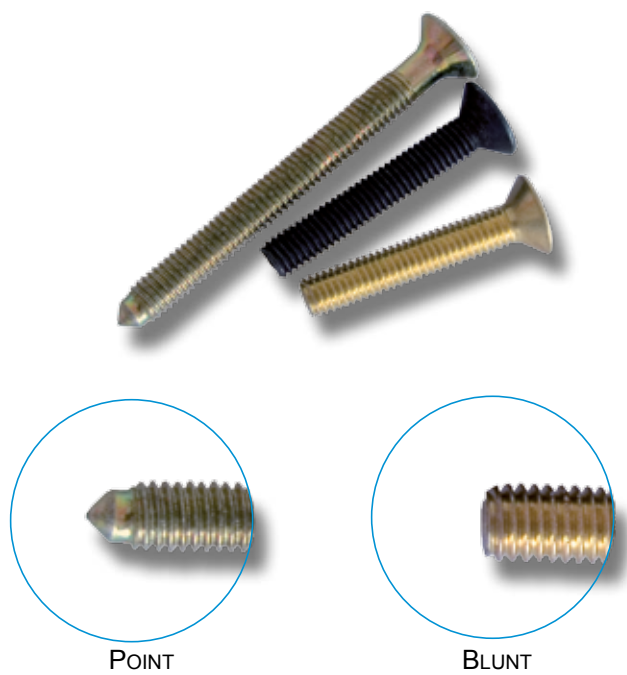
MUSHROOM SCREWS

| | |
|------------------|---|
| Material | Steel, yellow zinc or black oxidized Other materials & finishes on request |
| Head size | Ø15 mm |
| Hex size | 4 mm (5 mm on request) |
| Thread | M6 (M8 on request) |
| Lengths | 12/16/20/23/30/32/38/45/50/60/63/90 mm (other lengths on request) |
| Type | Blunt (Point on request) |
| Item No. | # 12.03.110 etc. |



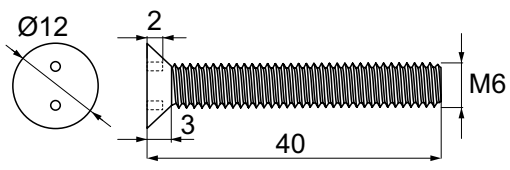
INSEX SCREWS

| | |
|------------------|--|
| Material | Steel, yellow zinc, brass plated or black oxidized Other materials & finishes on request |
| Head size | Ø12 x 4 mm (counter sunk) |
| Hex size | 4 mm |
| Thread | M6 (M8 and M10 on request) |
| Lengths | 32/35/38/44/50/51/57/60/63/76/90/ 100/120/126 mm (other lengths on request) |
| Type | Pointed or blunt (see illustration) |
| Item No. | # 12.04.004 etc. |



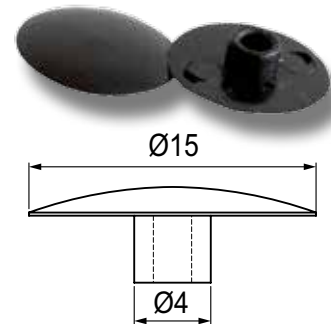
SNAKE EYE SECURITY SCREW

SNAKE EYE SECURITY SCREW & TOOL
Available in different lengths - upon request



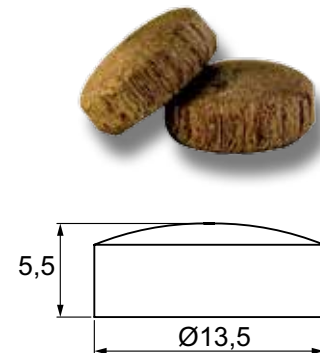
INSEX COVER CAP

| | |
|------------------|---------------------------|
| Material | Plastic, black |
| Head size | Ø 12 mm, dome |
| Pin | Ø4,2 mm for 4 mm hex hole |
| Item No. | # 12.05.005 |



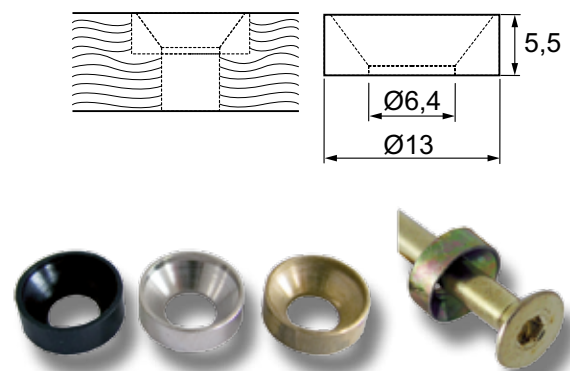
INSEX WOOD PLUGS

| | |
|-----------------|--|
| Material | Teak wood (other wood types on request) |
| Size | Ø13,5 x 5,5 mm |
| Item No. | # 12.05.020 |



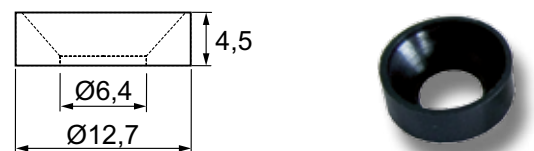
INSEX COLLARS - BRASS

| | |
|----------------------|-------------------|
| Material | Brass |
| Size | Ø13 x 4,5 mm x M6 |
| Item No. | |
| Brass Natural | # 12.05.036 |
| Brass Black Oxidized | # 12.05.039 |
| Brass Nickel Plated | # 12.05.038 |



INSEX COLLARS - NYLON

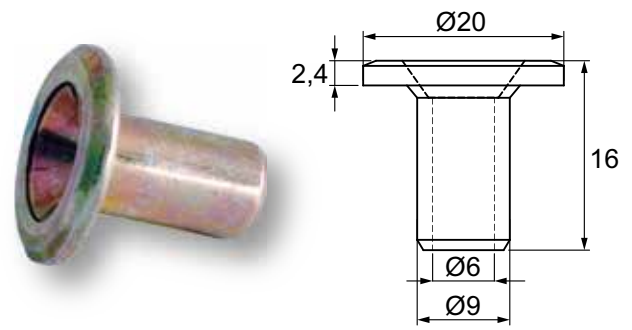
| | |
|-----------------|---------------------|
| Material | Nylon, Black |
| Size | Ø12,7 x 4,5 mm x M6 |
| Item No. | # 12.05.040 |



INSEX COLLARS & KEYS

INSEX COLLARS - STEEL W/SHAFT

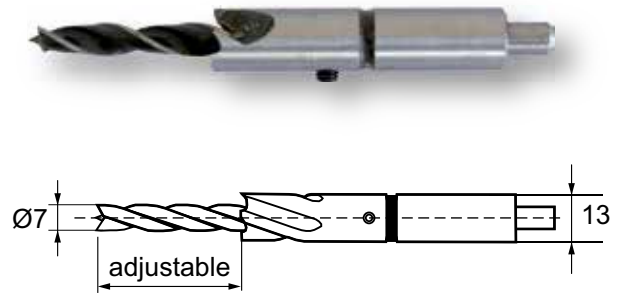
Material Steel, yellow zinc plated
Size Ø20 x 16 mm x M6
Item No. # 12.05.070



DRILL BIT F/INSEX SCREWS & COLLARS

Twin set boring bits for ø7 mm and ø13 mm in one operation

Item No. # 12.18.010



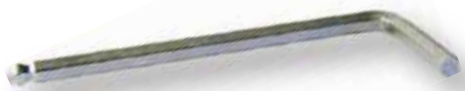
INSEX KEYS

Material Steel, hardened
Hex 4 or 5 mm or combi key with 4 & 5 mm
Finish Bright zinc plated (BZP) or black zinc plated
Type L-shaped or Z-shaped

| Type | Size | Hex | Finish | Item No. |
|----------|------------|----------|--------|-------------|
| L-shaped | 23 x 65 mm | 4 mm | Black | # 12.06.010 |
| L-shaped | 28 X 65 mm | 4 mm | BZP | # 12.06.015 |
| L-shaped | 31 X 75 mm | 5 mm | BZP | # 12.06.021 |
| Z-shaped | 37 X 48 mm | 4 mm | BZP | # 12.06.035 |
| Z-shaped | 39 X 48 mm | 5 mm | BZP | # 12.06.040 |
| Z-shaped | 35 X 50 mm | 4 & 5 mm | BZP | # 12.06.027 |

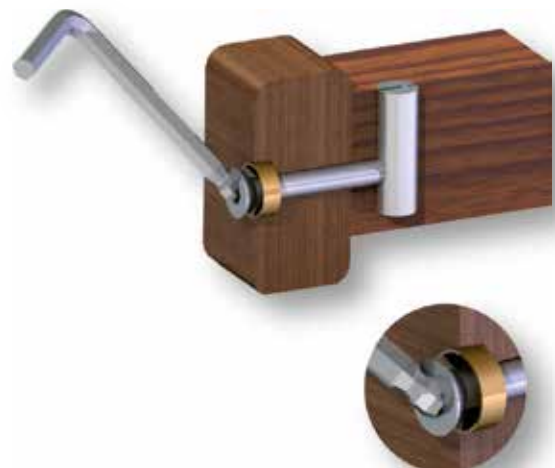


INSEX KEYS W/BALL POINT



Material Steel, bright zinc plated
Hex 4, 5 or 6 mm
Type L-shaped

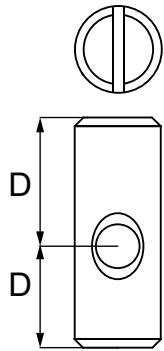
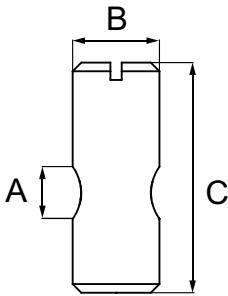
| Type | Size | Hex | Finish | Item No. |
|----------|------------|------|--------|-------------|
| L-shaped | 28 x 73 mm | 4 mm | BZP | # 12.06.061 |
| L-shaped | 15 X 65 mm | 5 mm | BZP | # 12.06.063 |
| L-shaped | 16 X 63 mm | 6 mm | BZP | # 12.06.062 |



CROSS DOWELS



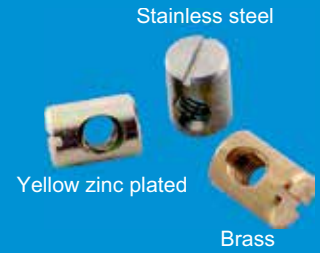
Bright zinc plated



Material Steel, brass or stainless steel

Type With slot

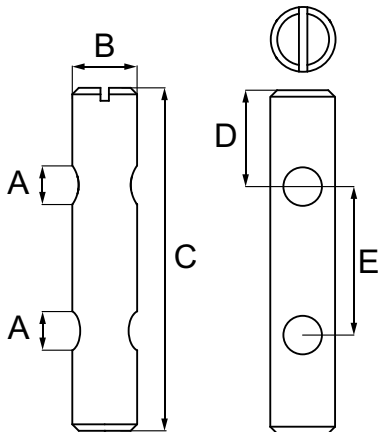
Finish Steel, yellow zinc plated (YZP)
Bright zinc plated (BZP), brass, natural
Stainless steel, (SS), natural



D* Distance from centre of hole to edge

| A | B | C | D* | Material | Finish | Item No. |
|----|---------|-------|--------------|----------|---------|-----------------|
| M6 | Ø 10 mm | 13 mm | 8/5 mm | Steel | Plain | # 12.07.006 |
| M6 | Ø 10 mm | 14 mm | 8/6 mm | Steel | BZP/YZP | # 12.07.030/31 |
| M6 | Ø 10 mm | 14 mm | 8/6 mm | Brass | Natural | # 12.07.041 |
| M6 | Ø 10 mm | 14 mm | 8/6 mm | SS | Natural | # 12.07.043 |
| M6 | Ø 10 mm | 16 mm | 10/6 mm | Steel | YZP | # 12.07.044 |
| M6 | Ø 10 mm | 18 mm | 12/6 mm | Steel | YZP/BZP | # 12.07.327/328 |
| M6 | Ø 10 mm | 30 mm | 20/10 mm | Steel | BZP | # 12.07.350 |
| M6 | Ø 10 mm | 20 mm | 10/10 mm | Steel | BZP/YZP | # 12.07.070/071 |
| M6 | Ø 10 mm | 25 mm | 12,5/12,5 mm | Steel | BZP | # 12.07.110 |
| M6 | Ø 10 mm | 30 mm | 15/15 mm | Steel | BZP | # 12.07.150 |
| M6 | Ø 10 mm | 40 mm | 20/20 mm | Steel | BZP | # 12.07.230 |
| M6 | Ø 10 mm | 45 mm | 22,5/22,5 mm | Steel | BZP | # 12.07.270 |
| M8 | Ø 12 mm | 20 mm | 10/10 mm | Steel | YZP | # 12.07.287 |
| M8 | Ø 12 mm | 25 mm | 12,5/12,5 mm | Steel | BZP | # 12.07.288 |
| M8 | Ø 12 mm | 30 mm | 15/15 mm | Steel | YZP | # 12.07.289 |
| M8 | Ø 12 mm | 50 mm | 25/25 mm | Steel | BZP/YZP | # 12.07.291/92 |
| M8 | Ø 12 mm | 60 mm | 30/30 mm | Steel | BZP | # 12.07.325 |

CROSS DOWEL NO. 3250 W/2 HOLES



Material Steel

Type With slot

Finish Steel, Bright zinc plated (BZP)

D* Distance from centre of hole to edge



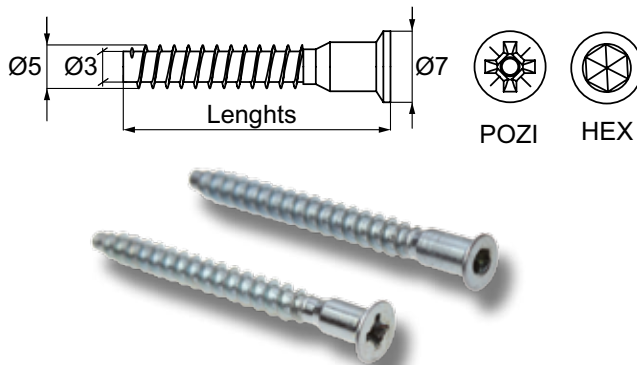
Bright zinc plated

| A | B | C | D* | E | Material | Finish | Item No. |
|----|---------|-------|-------|------------|----------|--------|-------------|
| M6 | Ø 10 mm | 60 mm | 14 mm | c.c. 32 mm | Steel | BZP | # 12.07.465 |
| M6 | Ø 10 mm | 60 mm | 10 mm | c.c. 40 mm | Steel | BZP | # 12.07.500 |
| M6 | Ø 10 mm | 82 mm | 9 mm | c.c. 64 mm | Steel | BZP | # 12.07.570 |

CONFIRMAT SCREWS

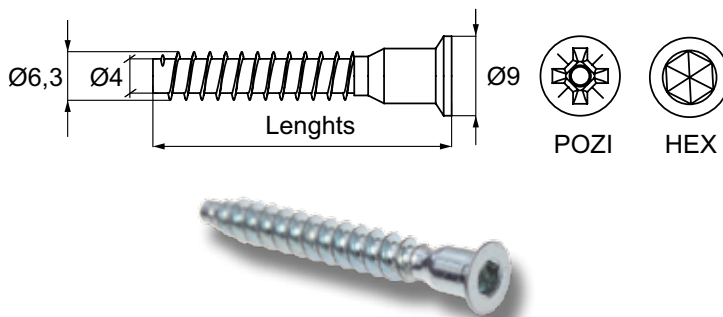
SCREWS Ø5 MM

| | |
|-----------------|--|
| Material | Steel, bright zinc plated (other materials & finishes on request) |
| Thread | Ø5 mm |
| Lengths | 30/40 mm or 50 mm |
| Type | Pozidrive or 3 mm hex (see illustration) With & without hole for cover cap |
| Item No. | # 12.17.005 etc. |



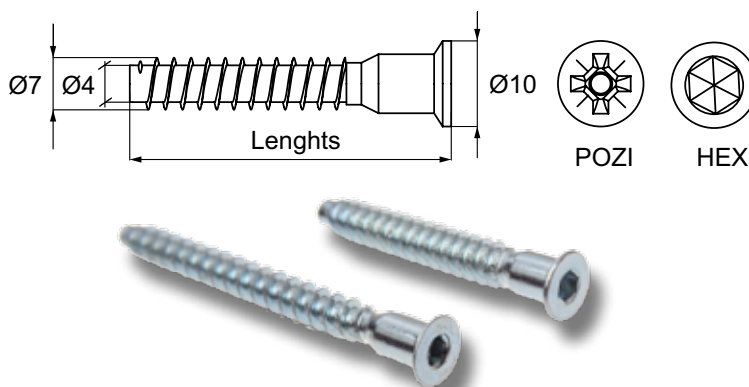
SCREWS Ø6,3 MM

| | |
|-----------------|---|
| Material | Steel, bright zinc plated (other materials & finishes on request) |
| Thread | Ø6,3 mm |
| Lengths | 40 mm or 50 mm |
| Type | Pozidrive or 4 mm hex (see illustration) With & without hole for cover cap |
| Item No. | # 12.17.021 etc. |



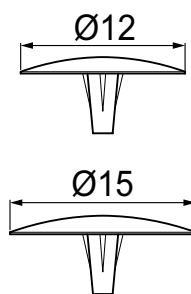
SCREWS Ø7 MM

| | |
|-----------------|---|
| Material | Steel, bright zinc plated (other materials & finishes on request) |
| Thread | Ø7 mm |
| Lengths | 40/45/50/60/70/85 mm |
| Type | Pozidrive or 4 mm hex (see illustration) With & without hole for cover cap |
| Item No. | # 12.17.027 etc. |

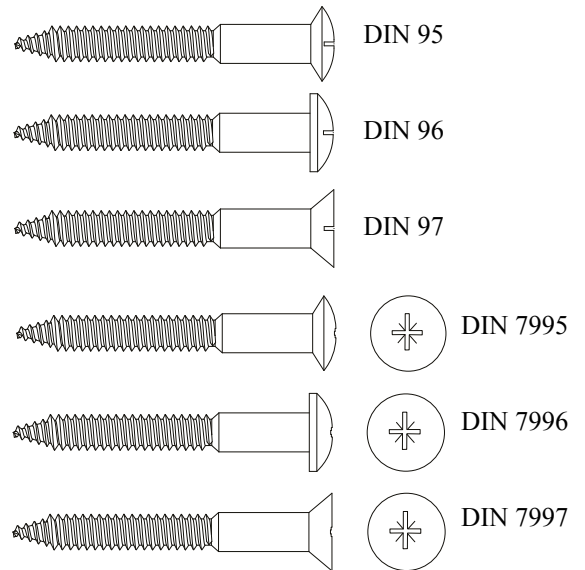


COVER CAPS F/SCREWS Ø5 MM, 6,3 MM & 7 MM

| | |
|-----------------|--|
| Material | Plastic, White, black, grey, brown, teak (other colours on request) |
| Size | Ø12 or Ø15 mm |
| Item No. | # 12.17.180 etc. |

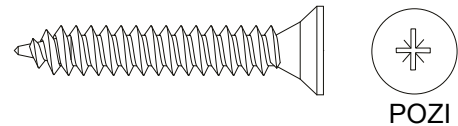


| | |
|-----------------|--|
| Material | Brass, Stainless Steel, Steel, Yellow Zinc Plated |
| Diameter | From Ø1,6 mm up to Ø6,0mm |
| Length | From 8 mm up to 120 mm |
| Type | Slotted with oval head DIN 95, round head DIN 96 or countersunk head DIN 97 Pozidrive with oval head DIN 7995, round head DIN 7996 or countersunk head DIN 7997 |
| Item No. | 11.07.603 etc. |



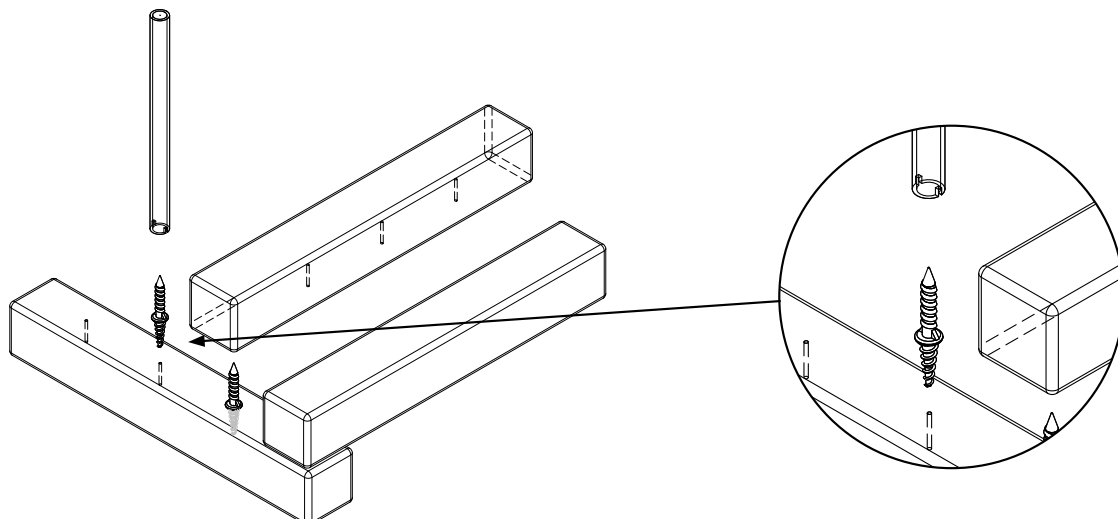
CHIPBOARD SCREWS DIN 7505

| | |
|-----------------|---|
| Material | Steel, Zinc Plated (other materials & finishes on request) |
| Thread | From Ø3 mm up to Ø6 mm |
| Lengths | From 12 mm up to 180 mm |
| Type | Pozidrive with countersunk head (see illustration) |
| Item No. | # 11.10.511 etc. |
| Packing | SISO box packing or bulk (see illustration) |

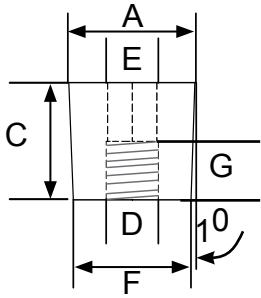


DOUBLE POINTED STEEL NAILS

| | | |
|--------------------|--|-------------|
| Application | As a concealed connector for slats | |
| Material | Steel, Yellow Zinc Plated | |
| Sizes | Ø3,5 x 9 x 15 mm | # 12.20.040 |
| | Ø4,0 x 13 x 18 mm | # 12.20.050 |
| Mounting | By use of self-made steel tube with slot. Inner diameter Ø 3,5 - 4,0 mm. Tube is to be inserted into your drilling machine. | |



BRASS COMBIFIX HEADS



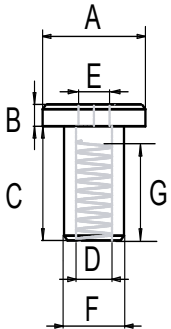
BRASS COMBIFIX HEAD #1106 M6 WITHOUT COLLAR

Material Brass
Finish Brass, Natural



Type No collar but with 5 mm open hex hole

| A | B | C | D | E | F | G | Item No. |
|--------|------|-------|----|------|--------|------|-------------|
| Ø13 mm | 0 mm | 10 mm | M6 | 5 mm | Ø12 mm | 5 mm | # 12.09.690 |



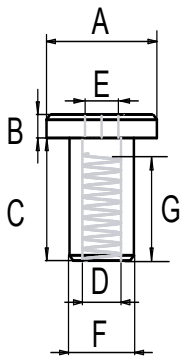
BRASS COMBIFIX HEAD #1007 M6 W/OPEN HEX HOLE

Material Brass
Finish Brass, Natural



Type Flat head with 5 mm open hex hole

| A | B | C | D | E | F | G | Item No. |
|--------|------|-------|----|------|-------|------|-------------|
| Ø12 mm | 2 mm | 10 mm | M6 | 5 mm | Ø8 mm | 7 mm | # 12.09.090 |



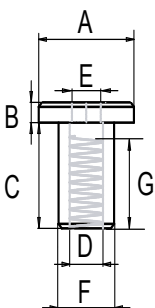
BRASS COMBIFIX HEAD #1011 M6 W/OPEN HEX HOLE

Material Brass
Finish Brass, Natural



Type Flat head with 5 mm open hex hole

| A | B | C | D | E | F | G | Item No. |
|--------|---------|------|----|------|-------|------|-------------|
| Ø15 mm | 2,25 mm | 9 mm | M6 | 5 mm | Ø9 mm | 7 mm | # 12.09.130 |



BRASS COMBIFIX HEAD #1011 M6 W/CLOSED HEX HOLE

Material Brass
Finish Brass Plated (BPL) or Nickel Plated (NPL)



Type Flat head with 5 mm closed hex hole

| A | B | C | D | E | F | G | NPL | BPL |
|--------|------|-------|----|------|-------|------|-------------|-------------|
| Ø15 mm | 2 mm | 10 mm | M6 | 5 mm | Ø9 mm | 7 mm | # 12.09.132 | # 12.09.131 |

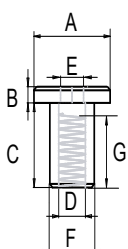
BRASS COMBIFIX HEAD #1012 M6 W/OPEN HEX HOLE

Material Brass or Stainless Steel (SS) AISI 304
Finish Brass, Natural and SS, Natural



Type Flat head with 4 or 5 mm open hex hole

| A | B | C | D | E | F | G | SS | Brass |
|--------|---------|----------|----|------|-------|--------|-------------|-------------|
| Ø15 mm | 2,25 mm | 11,75 mm | M6 | 5 mm | Ø9 mm | 8,5 mm | on request | # 12.09.170 |
| Ø15 mm | 2,25 mm | 11,75 mm | M6 | 4 mm | Ø9 mm | 7 mm | # 12.09.175 | on request |




BRASS COMBIFIX HEADS

- high quality furniture fittings

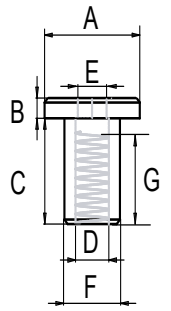


BRASS COMBIFIX HEAD #1012 M6 W/CLOSED HEX HOLE

Material Brass
Finish Brass Plated (BPL) or Nickel Plated (NPL)
Type Flat head with 5 mm closed hex hole




| A | B | C | D | E | F | G | NPL | BPL |
|--------|------|-------|----|------|-------|------|-------------|-------------|
| Ø15 mm | 2 mm | 12 mm | M6 | 5 mm | Ø9 mm | 7 mm | # 12.09.174 | # 12.09.173 |

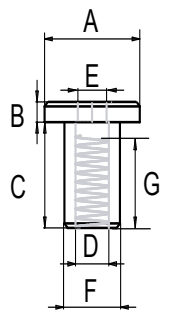


BRASS COMBIFIX HEAD #1013 M6 W/OPEN HEX HOLE

Material Brass
Finish Brass, Natural
Type Flat head with 5 mm open hex hole




| A | B | C | D | E | F | G | SS | Brass |
|--------|---------|-------|----|------|-------|-------|-------------|-------------|
| Ø15 mm | 2,25 mm | 18 mm | M6 | 5 mm | Ø9 mm | 12 mm | # 12.09.208 | # 12.09.210 |

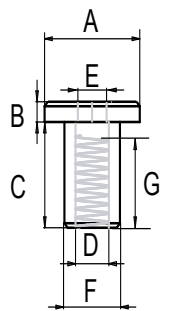


BRASS COMBIFIX HEAD #1013 M6 W/CLOSED HEX HOLE

Material Brass
Finish Brass Plated (BPL) or Nickel Plated (NPL)
Type Flat head with 5 mm closed hex hole




| A | B | C | D | E | F | G | NPL | BPL |
|--------|------|-------|----|------|-------|-------|-------------|-------------|
| Ø15 mm | 2 mm | 18 mm | M6 | 5 mm | Ø9 mm | 13 mm | # 12.09.213 | # 12.09.212 |

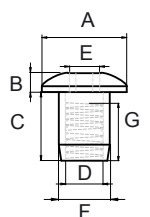


BRASS COMBIFIX HEAD #1015 M6 W/OPEN HEX HOLE

Material Brass or Stainless Steel (SS) AISI 304
Finish Brass, Natural and SS, Natural
Type Dome head with 5 mm open hex hole

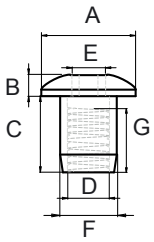


| A | B | C | D | E | F | G | SS | Brass |
|--------|---------|----------|----|------|-------|------|-------------|-------------|
| Ø13 mm | 2,50 mm | 10,50 mm | M6 | 5 mm | Ø8 mm | 9 mm | # 12.09.265 | # 12.09.250 |



BRASS COMBIFIX HEADS

BRASS COMBIFIX HEAD #1015 M6 W/CLOSED HEX HOLE

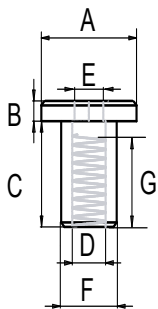


Material Brass
Finish Brass Plated (BPL) or Nickel Plated (NPL)
Type Dome head with 5 mm closed hex hole



| A | B | C | D | E | F | G | NPL | BPL |
|--------|------|-------|----|------|-------|------|-------------|-------------|
| Ø13 mm | 3 mm | 10 mm | M6 | 5 mm | Ø8 mm | 6 mm | # 12.09.252 | # 12.09.251 |

BRASS COMBIFIX HEAD #1031 M6 W/OPEN HEX HOLE

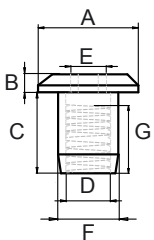


Material Brass
Finish Brass, Natural
Type Flat head with 5 mm open hex hole



| A | B | C | D | E | F | G | Item No. |
|--------|------|-------|----|------|-------|-------|-------------|
| Ø19 mm | 2 mm | 12 mm | M6 | 5 mm | Ø9 mm | 10 mm | # 12.09.410 |

BRASS COMBIFIX HEAD #1042 M6 W/OPEN HEX HOLE

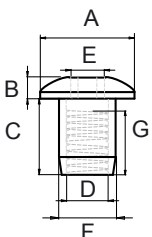


Material Brass
Finish Brass, Natural
Type Flat head with 5 mm open hex hole



| A | B | C | D | E | F | G | Item No. |
|--------|------|------|----|------|-------|--------|-------------|
| Ø19 mm | 2 mm | 8 mm | M6 | 5 mm | Ø9 mm | 6,5 mm | # 12.09.490 |

BRASS COMBIFIX HEAD #1046 M6 W/OPEN HEX HOLE



Material Brass
Finish Brass, Natural
Type Dome head with 5 mm open hex hole



| A | B | C | D | E | F | G | Item No. |
|--------|------|-------|----|------|-------|--------|-------------|
| Ø19 mm | 3 mm | 10 mm | M6 | 5 mm | Ø9 mm | 7,5 mm | # 12.09.530 |

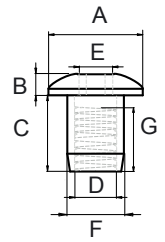
BRASS & STEEL COMBIFIX HEADS

- high quality furniture fittings



BRASS COMBIFIX HEAD #1060 M8 W/OPEN HEX HOLE

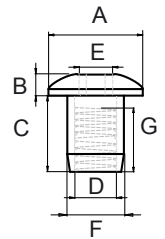
Material Brass
Finish Brass, Natural
Type Dome head with 5 mm open hex hole



| A | B | C | D | E | F | G | Item No. |
|--------|---------|---------|----|------|--------|------|-------------|
| Ø17 mm | 2,50 mm | 11,5 mm | M8 | 5 mm | Ø10 mm | 8 mm | # 12.09.570 |

BRASS COMBIFIX HEAD #1062 M8 W/OPEN HEX HOLE

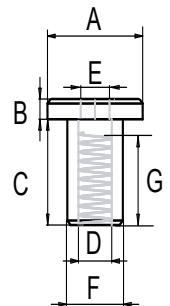
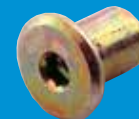
Material Brass
Finish Brass, Natural
Type Dome head with 5 mm open hex hole



| A | B | C | D | E | F | G | Item No. |
|--------|------|------|----|------|--------|------|-------------|
| Ø30 mm | 4 mm | 7 mm | M8 | 5 mm | Ø12 mm | 6 mm | # 12.09.610 |

STEEL COMBIFIX HEAD # F-563 M6 W/CLOSED HEX HOLE

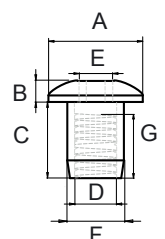
Material Steel
Finish Brass Plated (BPL) or Yellow Zinc Plated 12 micron (YZP)
Type Flat head with 4 or 5 mm closed hex hole



| A | B | C | D | E | F | G | BPL | YZP |
|--------|------|-------|----|------|-------|-------|-------------|-------------|
| Ø15 mm | 2 mm | 12 mm | M6 | 4 mm | Ø9 mm | 7 mm | # 12.09.750 | # 12.09.696 |
| Ø15 mm | 2 mm | 12 mm | M6 | 5 mm | Ø9 mm | 7 mm | # 12.09.700 | on request |
| Ø15 mm | 2 mm | 18 mm | M6 | 4 mm | Ø9 mm | 13 mm | on request | # 12.09.800 |
| Ø15 mm | 2 mm | 18 mm | M6 | 5 mm | Ø9 mm | 13 mm | # 12.09.802 | on request |

STEEL COMBIFIX HEAD # D-564 M6 W/CLOSED HEX HOLE

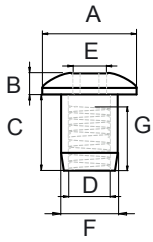
Material Steel
Finish Brass Plated (BPL) or Nickel Plated (NPL)
Type Dome head with 5 mm closed hex hole



| A | B | C | D | E | F | G | NPL | BPL |
|--------|--------|-------|----|------|-------|-------|-------------|-------------|
| Ø15 mm | 2,5 mm | 12 mm | M6 | 5 mm | Ø9 mm | 7 mm | # 12.09.829 | on request |
| Ø15 mm | 2,5 mm | 15 mm | M6 | 5 mm | Ø9 mm | 10 mm | on request | # 12.09.864 |

STEEL COMBIFIX HEADS

STEEL COMBIFIX HEAD # D-597 M6 W/CLOSED HEX HOLE

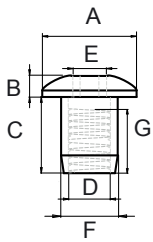


Material Steel
Finish Brass Plated (BPL) or Black oxidized (BLK)
 (other finishes on request)
Type Dome head with 5 mm closed hex hole



| A | B | C | D | E | F | G | BPL | BLK |
|--------|------|-------|----|------|-------|-------|-------------|-------------|
| Ø20 mm | 3 mm | 18 mm | M6 | 5 mm | Ø9 mm | 12 mm | # 12.09.937 | # 12.09.935 |

STEEL COMBIFIX HEAD # D-637 M6 W/CLOSED HEX HOLE

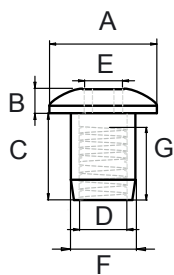


Material Steel
Finish Yellow Zinc Plated 2-3 micron (YZP)
 (other finishes on request)
Type Dome head with 5 mm Closed hex hole



| A | B | C | D | E | F | G | YZP |
|--------|------|------|----|------|-------|------|-------------|
| Ø15 mm | 4 mm | 8 mm | M6 | 5 mm | Ø8 mm | 5 mm | # 12.09.815 |

STEEL COMBIFIX HEAD # D-595 M8 W/CLOSED HEX HOLE

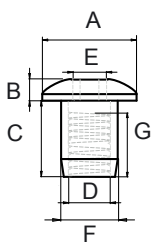


Material Steel
Finish Brass Plated (BPL), Black oxidized (BLK)
 Bronze Plated (BRZ) or Nickel Plated (NPL)
Type Dome head with 5 mm closed hex hole



| A | B | C | D | E | F | G | BPL | BLK |
|--------|------|-------|----|------|--------|-------|-------------|-------------|
| Ø20 mm | 3 mm | 16 mm | M8 | 5 mm | Ø10 mm | 12 mm | # 12.09.930 | # 12.09.932 |
| | | | | | | | NPL | BRZ |
| Ø20 mm | 3 mm | 16 mm | M8 | 5 mm | Ø10 mm | 12 mm | # 12.09.933 | # 12.09.934 |

STEEL COMBIFIX HEAD # D-602 M10 W/CLOSED HEX HOLE



Material Steel
Finish Nickel Plated (NPL)
 (other finishes on request)
Type Dome head with 5 mm closed hex hole



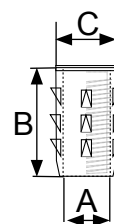
| A | B | C | D | E | F | G | NPL |
|--------|------|-------|-----|------|--------|------|-------------|
| Ø20 mm | 4 mm | 13 mm | M10 | 5 mm | Ø13 mm | 9 mm | # 12.09.950 |

KNOCK IN BUSHING »A«

Material Zamak, Yellow Zinc Plated (YZP)

Type Knock in. No collar

| A | B | C | Finish | Item No. |
|----|-------|-------|--------|-------------|
| M4 | 10 mm | Ø5 mm | YZP | # 12.09.990 |

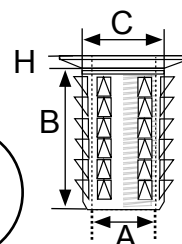
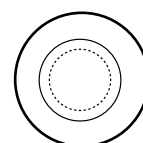


KNOCK IN BUSHING »BI«

Material Zamak, Yellow Zinc Plated (YZP)

Type Knock in. With countersunk collar

| A | B | C | H = Head | Finish | Item No. |
|----|-------|--------|------------|--------|-------------|
| M8 | 20 mm | Ø10 mm | Ø19 x 3 mm | YZP | # 12.10.000 |

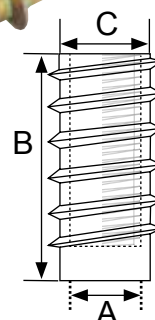
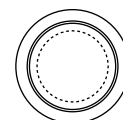


SCREW IN BUSHING »BL«

Material Steel, Yellow Zinc Plated (YZP)

Type Screw in by use of insert tool # 12.10.315.
Closed end & no collar

| A | B | C | Finish | Item No. |
|----|-------|----------|--------|-------------|
| M8 | 30 mm | Ø11,5 mm | YZP | # 12.10.179 |
| M8 | 39 mm | Ø11,5 mm | YZP | # 12.10.180 |

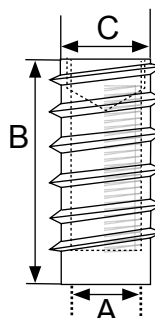
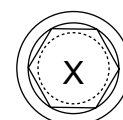
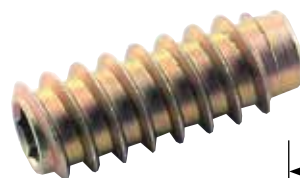


SCREW IN BUSHING »BL SK«

Material Steel, Yellow Zinc Plated (YZP)

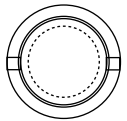
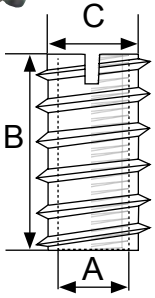
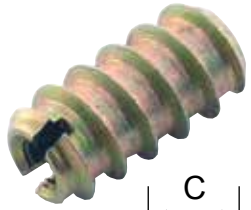
Type Screw in by use of hex key. Closed end & no collar

| A | B | C | X = Hex | Finish | Item No. |
|----|-------|----------|---------|--------|-------------|
| M8 | 30 mm | Ø11,5 mm | 8 mm | YZP | # 12.10.176 |
| M8 | 39 mm | Ø11,5 mm | 8 mm | YZP | # 12.10.177 |



BUSHINGS

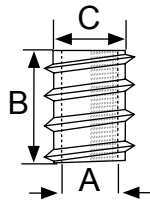
SCREW IN BUSHING »C«



Material Brass, Natural or Steel, Yellow Zinc Plated (YZP) or Bright Zinc Plated (BZP)

Type Screw in with slot. No collar

| A | B | C | Brass | A | B | C | YZP |
|----|---------|----------|-------------|----|---------|--------|-------------|
| M4 | 8,0 mm | Ø4,75 mm | # 12.10.002 | M6 | 10 mm | Ø8 mm | # 12.10.075 |
| M6 | 14,5 mm | Ø8 mm | # 12.10.106 | M6 | 12 mm | Ø8 mm | # 12.10.095 |
| A | B | C | BZP | A | B | C | YZP |
| M4 | 10 mm | Ø6 mm | # 12.10.008 | M6 | 14,5 mm | Ø8 mm | # 12.10.105 |
| M8 | 15 mm | Ø10 mm | # 12.10.151 | M8 | 20 mm | Ø10 mm | # 12.10.175 |



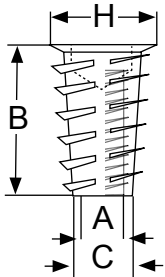
SCREW IN BUSHING »CV«

Material Steel, Yellow Zinc Plated (YZP)

Type Screw in by use of hex key. No collar

| A | B | C | YZP |
|----|-------|-------|-------------|
| M6 | 12 mm | Ø8 mm | # 12.10.096 |
| M6 | 15 mm | Ø8 mm | # 12.10.097 |

SCREW IN BUSHING »D«



Material Zamak, Yellow Zinc Plated (YZP)

Type Screw in by use of hex key. With collar

| A | B | C | H = Head | Finish | X = Hex | Item No |
|-----|-------|---------|----------|--------|-------------|-------------|
| M4 | 10 mm | Ø5,5 mm | Ø8,5 mm | YZP | 4 x 3,5 mm | # 12.10.185 |
| M5 | 10 mm | Ø7 mm | Ø11 mm | YZP | 5 x 3,5 mm | # 12.10.186 |
| M6 | 10 mm | Ø8 mm | Ø12 mm | YZP | 6 x 3,5 mm | # 12.10.188 |
| M6 | 13 mm | Ø8 mm | Ø12 mm | YZP | 6 x 3,5 mm | # 12.10.191 |
| M6 | 16 mm | Ø8 mm | Ø12 mm | YZP | 6 x 3,5 mm | # 12.10.195 |
| M6 | 20 mm | Ø8 mm | Ø12 mm | YZP | 6 x 3,5 mm | # 12.10.211 |
| M8 | 13 mm | Ø10 mm | Ø14,5 mm | YZP | 8 x 4,5 mm | # 12.10.215 |
| M8 | 20 mm | Ø10 mm | Ø14,5 mm | YZP | 8 x 5,5 mm | # 12.10.217 |
| M10 | 25 mm | Ø12 mm | Ø16 mm | YZP | 10 x 7,0 mm | # 12.10.219 |

LOW PROFILE SCREW IN BUSHING

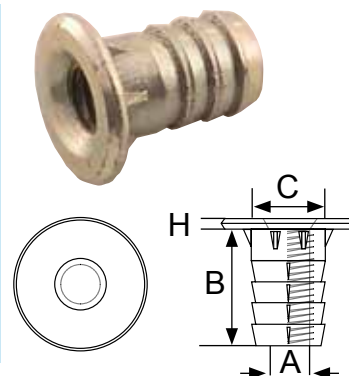


The only insert on the market especially designed with a very low profile for application in thin material such as veneer and plywood.

Item No.
M6 X 6/7 mm Yellow Zinc Plated # 12.10.500

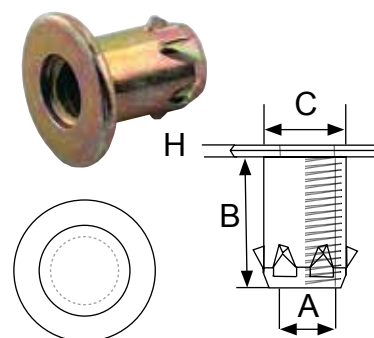
KNOCK IN BUSHING »DR«

| Material | Steel, Yellow Zinc Plated (YZP) or Bright Zinc Plated (BZP) | | | | |
|-----------------|---|----------|--------------|-------------|-------------|
| Type | Knock in. With collar | | | | |
| A | B | C | H = Head | YZP | BZP |
| M6 | 14 mm | Ø8,3 mm | Ø14 x 1,5 mm | # 12.10.710 | # 12.10.711 |
| M8 | 16 mm | Ø10,5 mm | Ø19 x 2,5 mm | # 12.10.721 | # 12.10.720 |
| M10 | 17 mm | Ø12,5 mm | Ø22 x 2,5 mm | # 12.10.730 | # 12.10.731 |



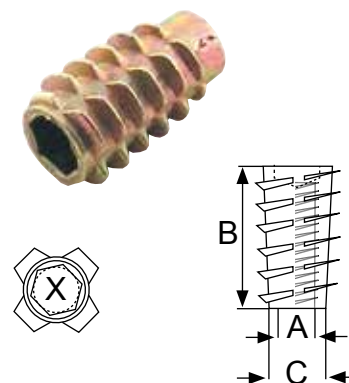
KNOCK IN BUSHING »DRN«

| Material | Steel, Yellow Zinc Plated (YZP) or Bright Zinc Plated (BZP) | | | | |
|-----------------|---|---------|---------------|-------------|-------------|
| Type | Knock in. With collar | | | | |
| A | B | C | H = Head | YZP | BZP |
| M6 | 14 mm | Ø8,5 mm | Ø15 x 2 mm | # 12.10.712 | # 12.10.713 |
| M8 | 16 mm | Ø11 mm | Ø19 x 2,25 mm | # 12.10.723 | # 12.10.722 |



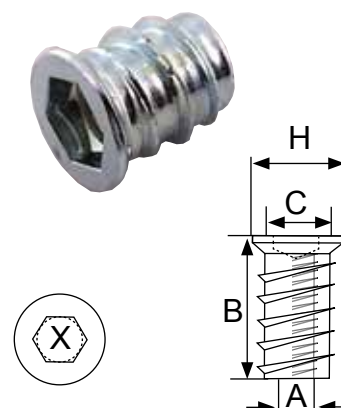
SCREW IN BUSHING »E«

| Material | Zamak, Yellow Zinc Plated (YZP) | | | |
|-----------------|---------------------------------------|----------|------------|-------------|
| Type | Screw in by use of hex key. No collar | | | |
| A | B | C | X = Hex | Item N0. |
| M6 | 13 mm | Ø7,5 mm | 6 x 4,5 mm | # 12.10.222 |
| M6 | 20 mm | Ø7,5 mm | 6 x 5,7 mm | # 12.10.223 |
| M8 | 13 mm | Ø10,5 mm | 8 x 5,0 mm | # 12.10.225 |
| M8 | 20 mm | Ø10,5 mm | 8 x 5,5 mm | # 12.10.226 |
| M8 | 25 mm | Ø10,5 mm | 8 x 5,5 mm | # 12.10.227 |



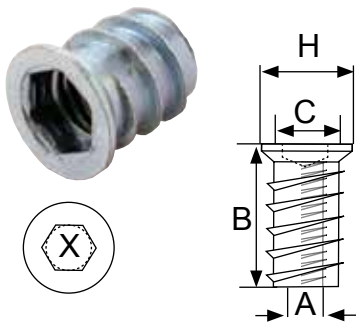
SCREW IN BUSHING »M«

| Material | Steel, Bright Zinc Plated (BZP) | | | | |
|-----------------|---|--------|-----------|----------|-------------|
| Type | Screw in by use of hex key. With countersunk collar | | | | |
| A | B | C | X = Hex | H = Head | Item No. |
| M6 | 12 mm | Ø8 mm | 6 X 2 mm | Ø9,8 mm | # 12.10.258 |
| M6 | 12 mm | Ø8 mm | 6 X 3 mm | Ø12 mm | # 12.10.259 |
| M6 | 15 mm | Ø8 mm | 6 X 3 mm | Ø12 mm | # 12.10.260 |
| M6 | 20 mm | Ø10 mm | 6 X 3 mm | Ø12 mm | # 12.10.265 |
| M8 | 15 mm | Ø10 mm | 8 X 3 mm | Ø14 mm | # 12.10.270 |
| M8 | 20 mm | Ø10 mm | 8 X 3 mm | Ø14 mm | # 12.10.290 |
| M8 | 24 mm | Ø10 mm | 8 X 3 mm | Ø14 mm | # 12.10.292 |
| M10 | 20 mm | Ø13 mm | 10 X 3 mm | Ø17 mm | # 12.10.293 |



BUSHINGS

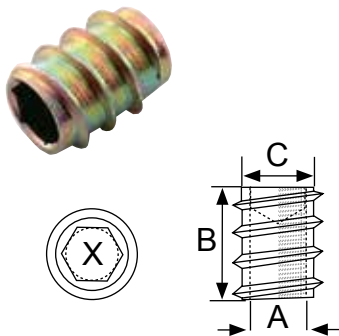
SCREW IN BUSHING »MZ«



Material Zamak, Bright Zinc Plated (BZP)
Type Screw in by use of hex key. With countersunk collar

| A | B | C | X = Hex | H = Head | Item No. |
|----|-------|--------|------------|----------|-------------|
| M6 | 13 mm | Ø8 mm | 6 x 3,5 mm | Ø 12 mm | # 12.10.257 |
| M8 | 15 mm | Ø10 mm | 8 x 3,5 mm | Ø 14 mm | # 12.10.271 |

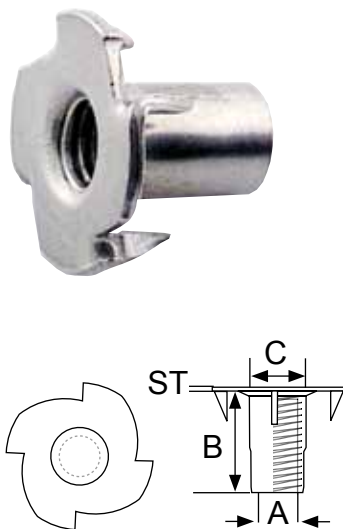
SCREW IN BUSHING »SK«



Material Steel, Yellow Zinc Plated (YZP) or Zamak (YZP)
Type Screw in by use of hex key. No collar

| A | B | C | X = Hex | YZP | Material |
|----|---------|----------|------------|-------------|----------|
| M6 | 13,5 mm | Ø8,25 mm | 6 x 3 mm | # 12.10.460 | Steel |
| M6 | 15 mm | Ø8,5 mm | 6 x 4,5 mm | # 12.10.461 | Zamak |

»T-NUT«



Material Steel, Bright Zinc Plated (BZP) or Plain
 ST = Steel Thickness
Type Knock in, 4 Prongs

| A | B | C | ST | Item No. | Finish |
|-----|-------|-----------|--------|-------------|--------|
| M4 | 5 mm | Ø6,5 mm | 0,8 mm | # 12.11.001 | BZP |
| M5 | 8 mm | Ø6,5 mm | 0,8 mm | # 12.11.006 | BZP |
| M6 | 8 mm | Ø7,5 mm | 1,2 mm | # 12.11.011 | BZP |
| M6 | 11 mm | Ø7,5 mm | 1,2 mm | # 12.11.014 | BZP |
| M6 | 15 mm | Ø7,5 mm | 1,2 mm | # 12.11.017 | BZP |
| M8 | 10 mm | Ø9,5 mm | 1,2 mm | # 12.11.019 | BZP |
| M8 | 15 mm | Ø9,5 mm | 1,5 mm | # 12.11.021 | Plain |
| M10 | 11 mm | Ø9,5 mm | 1,5 mm | # 12.11.024 | BZP |
| M10 | 16 mm | Ø11,75 mm | 1,6 mm | # 12.11.027 | BZP |

TOOL FOR INSERTING SCREW IN BUSHING



Material Steel
Type Tool for inserting screw in bushing

| Thread | Item No. |
|--------|-------------|
| M6 | # 12.10.305 |
| M8 | # 12.10.315 |
| M10 | # 12.10.320 |

BUSHINGS

- high quality furniture fittings

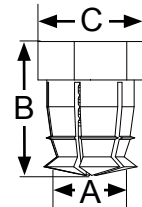
KNOCK IN BUSHINGS »EXPANSION«

Material Brass, Natural

Type Knock in. Without plastic ball or with ball for extra expansion

| A | B | C | Type | Item No. |
|----|---------|--------|-----------|-------------|
| M4 | 7,5 mm | 5,5 mm | No ball | # 12.10.335 |
| M4 | 10 mm | 5,5 mm | No ball | # 12.10.330 |
| M6 | 11,5 mm | 8 mm | No ball | # 12.10.340 |
| M6 | 11,5 mm | 8 mm | With ball | # 12.10.345 |

Pulling power: 100 Kg.

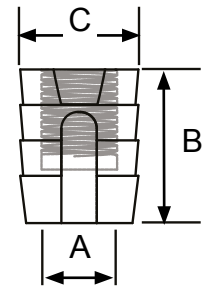


NYLON KNOCK IN BUSHING »N«

Material White nylon

Type Knock in. No collar. Closed end.

| A | B | C | Colour | Item No. |
|----|-------|--------|--------|-------------|
| M4 | 10 mm | Ø8 mm | White | # 12.11.315 |
| M6 | 10 mm | Ø8 mm | White | # 12.11.410 |
| M6 | 11 mm | Ø10 mm | White | # 12.11.420 |
| M6 | 13 mm | Ø10 mm | White | # 12.11.440 |
| M6 | 20 mm | Ø10 mm | White | # 12.11.465 |

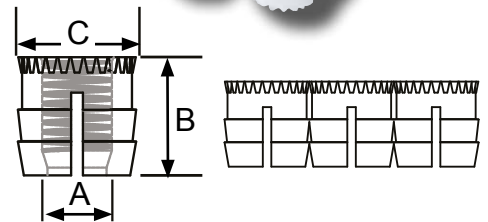


NYLON EXPANSION BUSHING »STRIPS«

Material White nylon

Type Knock in. With knurled collar. In strips of 24 pcs.

| A | B | C | Colour | Item No. |
|----|-------|--------|--------|-------------|
| M6 | 11 mm | Ø10 mm | White | # 12.11.430 |
| M6 | 13 mm | Ø10 mm | White | # 12.11.450 |

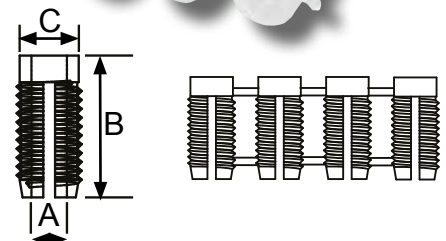


SELF-WINDING EXPANSION NYLON BUSHING

Material White nylon

Type Knock in. In strips of 30 pcs.

| A | B | C | Colour | Item No. |
|--------|---------|---------|--------|-------------|
| Ø 3 mm | 11,5 mm | Ø5,5 mm | White | # 12.11.351 |



"INVISIO" - KD SYSTEM

The patented "INVISIO" fastening System may be used in many different applications, such as cabinets, chairs and store fixtures

The system was developed to accomplish three specific objectives:

- To join panels securely together in such a manner that dimensional changes in the material or structure would not rupture or loosen the joints
- To achieve this objective with a fast and simple method of assembly, preferably without the need for tools
- To end up with a joint in which the fasteners are totally concealed



Patented in US, Canada, EU, Turkey & China



The "INVISIO" Fastening system meets these objectives by utilizing a spring steel declining ramp "Clip" and a large collared "Shoulder Screw" as the two mating members. Spring steel makes the joints strong, yet flexible, while the collar on the Shoulder Screw adds tremendous resistance to torsional pull-out. Assembly occurs by simply sliding the Shoulder Screw head down the Clip's ramp.

With the Clip located in its pocket, and the system assembled, no fasteners are visible!

CLIPS F/"INVISIO" KD-SYSTEM

- high quality furniture fittings



Single Clip

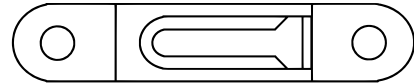


Double Clip

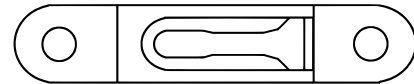


Anti-Rotation Clip

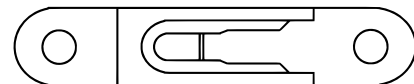
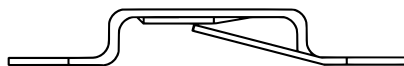
Non-Locking: Friction prevents the joint from disengaging



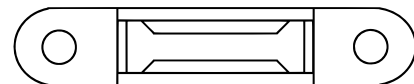
Semi-Locking: Friction and a narrowing runway prevent the joint from disengaging
Requires more force to disengage than Non-Locking Clip



Locking: A locking tab prevents the joint from disengaging. Locking tab must be turned with a flat blade screwdriver for disengagement



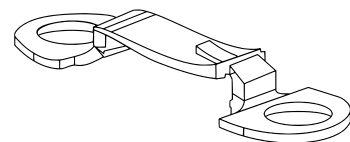
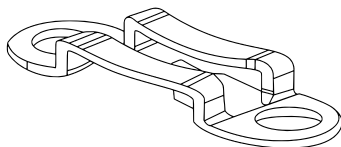
Pass-Thru: Used in grooved edge with another clip as an alternative to pockets with windows



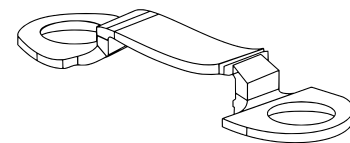
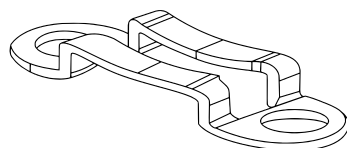
ANTI-ROTATIONAL CLIP

The Anti-Rotational Clip is designed to go into a rail with open pocket as narrow as 13 mm using the 2000 clip series and 19 mm using 5000 series clip and provide a tight joint over a wide range of pocket depths – i.e. with +/- 0,8 mm and +/- 0,5 mm

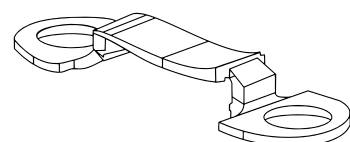
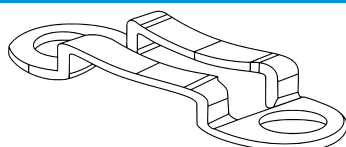
Locking: A locking tab prevents the joint from disengaging. Locking tab must be turned with a flat blade screwdriver for disengagement



Non-Locking: Friction prevents the joint from disengaging



Pass-Thru: Used in grooved edge with another clip as an alternative to pockets with windows



Part No. 1763
 Non-Locking light duty
 Size (L x W x D) 60,3 x 13,3 x 7,32 mm
 Item No. # 11.16.046



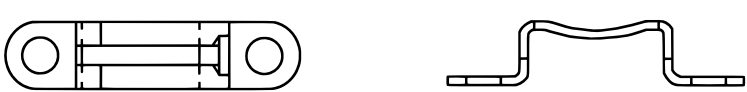
Part No. 2032
 32 mm mounting hole ctrs.
 Non-Locking. For 14 mm
 Size (L x W x D) 41,8 x 10 x 9,7 mm
 Item No. # 11.16.047



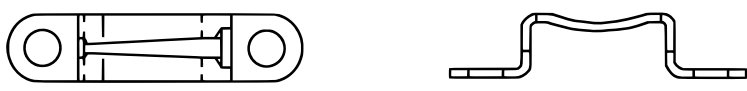
Part No. 2075 Open and pocket
 Male Anti-Rotation clip
 For 14 mm and larger stock
 Size (L x W x D) 42,5 x 10 x 13,97 mm
 Item No. # 11.16.050



Part No. 2076 Open and pocket
 Female Anti-Rotation clip
 For 14 mm and larger stock
 Size (L x W x D) 42,5 x 10 x 13,97 mm
 Item No. # 11.16.051



Part No. 2077 Open and pocket
 Semi-Locking female. Anti-Rotation clip
 For 14 mm and larger stock
 Size (L x W x D) 42,5 x 10 x 13,97 mm



Part No. 4031
 32 mm mounting hole ctrs.
 Pass-Thru. For 16 mm stock
 Size (L x W x D) 42,5 x 11 x 11,13 mm
 Item No. # 11.16.074



Part No. 4032
 32 mm mounting hole ctrs.
 Non-Locking. For 16 mm stock
 Size (L x W x D) 42,5 x 11 x 11,13 mm
 Item No. # 11.16.075



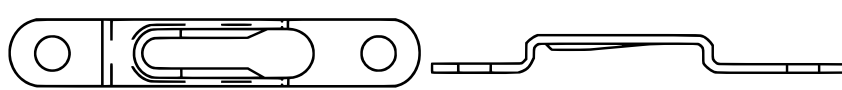
Part No. 4034
 32 mm mounting hole ctrs.
 Locking. For 16 mm stock
 Size (L x W x D) 42,5 x 11 x 11,13 mm
 Item No. # 11.16.080



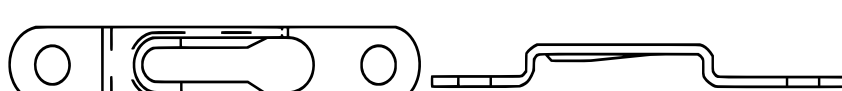
Part No. 4035
 32 mm mounting hole ctrs.
 Semi-Locking. For 16 mm stock
 Size (L x W x D) 42,5 x 11 x 11,13 mm
 Item No. # 11.16.085



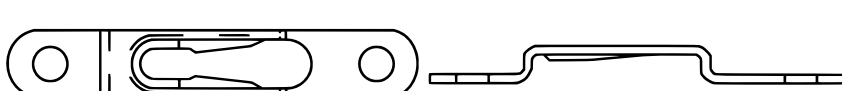
Part No. 4060
 Non-Locking
 Size (L x W x D) 62,7 x 10,8 x 8,26 mm
 Item No. # 11.16.095



Part No. 4061
 Non-Locking
 Size (L x W x D) 62,7 x 12,3 x 8,26 mm
 Item No. # 11.16.100



Part No. 4062
 Non-Locking
 Size (L x W x D) 62,7 x 10,8 x 8,26 mm
 Item No. # 11.16.105



CLIPS F/"INVISIO" KD-SYSTEM

- high quality furniture fittings

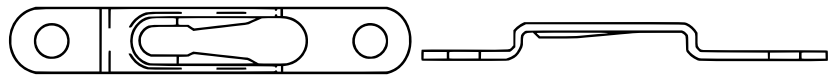


Part No. 4063A

Semi-Locking

Size (L x W x D) 62,7 x 12,3 x 8,26 mm

Item No. # 11.16.110



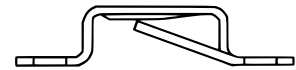
Part No. 5031

32 mm mounting hole ctrs.

Locking

Size (L x W x D) 42,5 x 13,3 x 11 mm

Item No. # 11.16.130



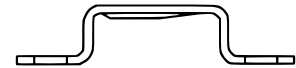
Part No. 5032

32 mm mounting hole ctrs.

Non-Locking

Size (L x W x D) 42,5 x 13,3 x 11 mm

Item No. # 11.16.135



Part No. 5032A

32 mm mounting hole ctrs.

Semi-Locking

Size (L x W x D) 42,5 x 13,3 x 11 mm

Item No. # 11.16.140



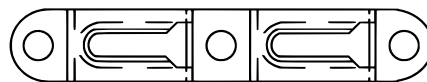
Part No. 5033

32 mm mounting hole ctrs. & 32 mm

shoulder screw ctrs. Both Non-Locking

Size (L x W x D) 74,5 x 13,3 x 11,13 mm

Item No. # 11.16.145



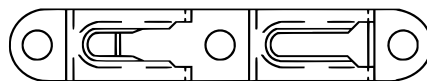
Part No. 5034

32 mm mounting hole ctrs. & 32 mm shoulder

screw ctrs. Locking & Non-Locking

Size (L x W x D) 74,5 x 13,3 x 11,13 mm

Item No. # 11.16.150



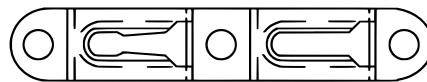
Part No. 5035

32 mm mounting hole ctrs. & 32 mm shoulder

screw ctrs. Semi-Locking & Non-Locking

Size (L x W x D) 74,5 x 13,3 x 11,13 mm

Item No. # 11.16.155



Part No. 5052

Compression dowel

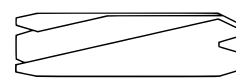
6,4 x 25,4 mm

Size

surface 6,4 x 9 mm

end grain 6,4 x 16,5 mm

Item No. # 11.16.170



Part No. 5053A

Compression dowel

8 x 35 mm

Size

surface 8 x 10,2 mm

end grain 8 x 21,6 mm

Item No. # 11.16.176



Part No. 5075

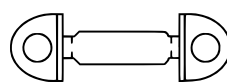
Open and pocket

Male Anti-Rotation clip.

For 19 mm and larger stock

Size (L x W x D) 42,5 x 13,3 x 12,07 mm

Item No. # 11.16.400



Part No. 5076

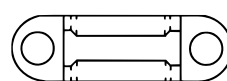
Open and pocket

Female Anti-Rotation clip.

For 19 mm and larger stock

Size (L x W x D) 42,5 x 13,3 x 12,07 mm

Item No. # 11.16.401

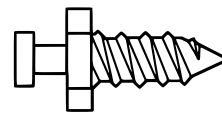
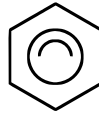


Part No. 1020B

For 11.16.074

Size 5 x 11 mm

Item No. # 11.16.030

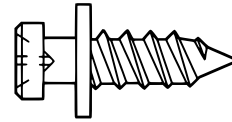


Part No. 1065

Wood screw for 16 mm panels

Size 4 x 13 mm

Item No. # 11.16.250

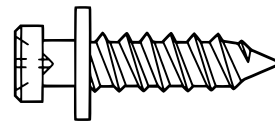


Part No. 1165

Wood screw for 19 mm panels

Size 4 x 16 mm

Item No. # 11.16.030



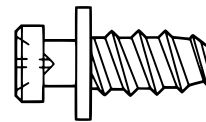
Part No. 2053

Blunt tip shoulder screw

For 5 mm predrill

Size 5 x 10 mm

Item No. # 11.16.040



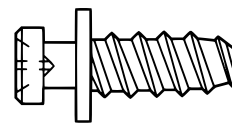
Part No. 2055

Blunt tip shoulder screw

For Ø 5 mm predrill

Size 5 x 13 mm

Item No. # 11.16.045



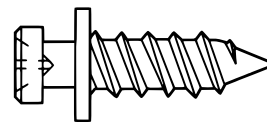
Part No. 2155

Shoulder screw

For Ø 5 mm predrill

Size 5 x 16 mm

Item No. # 11.16.070



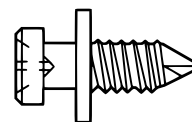
Part No. 5043

Thread cutting

Metal screw

Size #10-32 MT x 11 mm

Item No. # 11.16.160

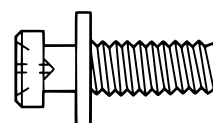


Part No. 5045

Metal screw

Size #10-32 MT x 11 mm

Item No. # 11.16.161

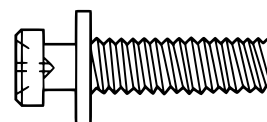


Part No. 5065

Metal screw

Size #10-32 MT x 16 mm

Item No. # 11.16.220



SCREWS F/"INVISIO" KD-SYSTEM

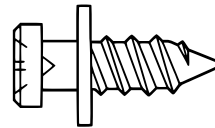
- high quality furniture fittings

Part No. 5067

For 13 mm panels

Size 4 x 11 mm

Item No. # 11.16.235

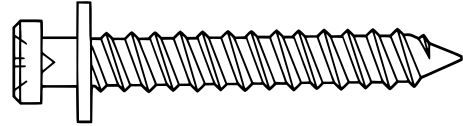


Part No. 5068

For 35 mm panels

Size 4 x 32 mm

Item No. # 11.16.225

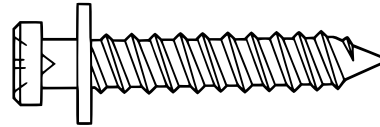
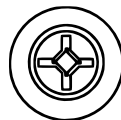


Part No. 5069

For 29 mm panels

Size 4 x 25 mm

Item No. # 11.16.230

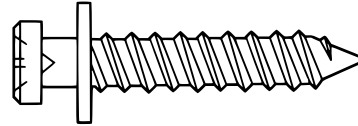
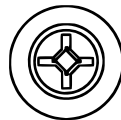


Part No. 5070

For 25 mm panels

Size 4 x 22 mm

Item No. # 11.16.245

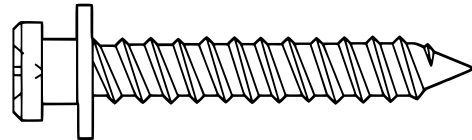


Part No. 6068

For 35 mm panels

Size 5 x 32 mm

Item No. # 11.16.305

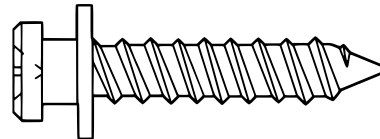
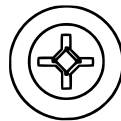


Part No. 6069

For 25 mm panels

Size 5 x 12 mm

Item No. # 11.16.310



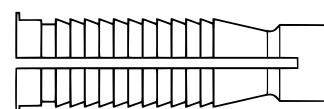
QUICK DOWELS F/"INVISIO" KD-SYSTEM

Part No. 5057

Quick dowel - Female dowel
and grain 5 x 12 mm

Size 8 x 32 mm

Item No. # 11.16.531

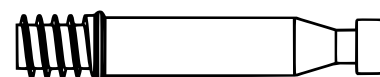


Part No. 5056

Quick dowel - Male bolt
Surface 5 x 12 mm

Size 5 x 12 mm

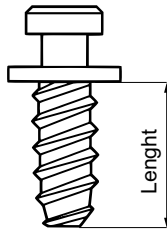
Item No. # 11.16.530



SHOULDER SCREWS F/"INVISIO" KD-SYSTEM

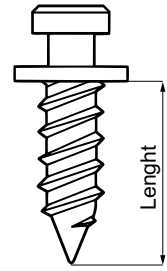
BLUNT TIPPED SCREW For Ø 5 mm predrill

| Part No. | Lenght |
|----------|---------|
| 2055 | 12,7 mm |
| 2052 | 10 mm |



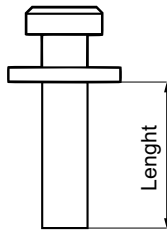
POINTED TRIP SCREW For Ø 5 mm predrill

| Part No. | Lenght |
|----------|---------|
| 2155 | 15,9 mm |



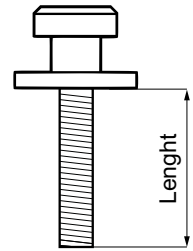
M4 INTERNAL THREAD For Ø 5 mm predrill

| Part No. | Lenght |
|----------|--------|
| 2066 | 12 mm |



M4 THREAD USE WITH M4 INTERNAL THREAD FEMALE SHOULDER SCREW

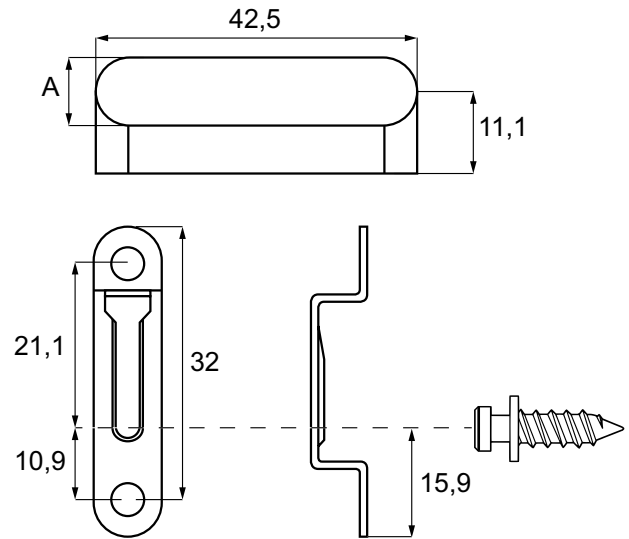
| Part No. | Lenght |
|----------|--------|
| 2065 | 12 mm |
| 2069 | 15 mm |



CLIPS F/"INVISIO" KD-SYSTEM

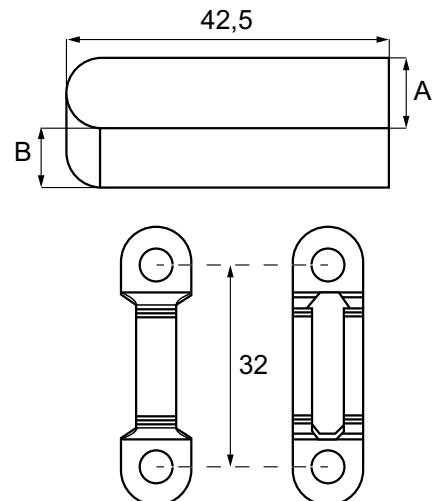
SINGLE CLIPS

| Part No. | Description | Panel thickness | Pocket width - A |
|----------|--------------|-----------------|------------------|
| 4031 | PASS - THRU | 16 mm | 11 mm |
| 4032 | NON-LOCKING | 16 mm | 11 mm |
| 4034 | LOCKING | 16 mm | 11 mm |
| 4035 | SEMI-LOCKING | 16 mm | 11 mm |
| 5030 | PASS-THRU | 19 mm | 13,3 mm |
| 5031 | LOCKING | 19 mm | 13,3 mm |
| 5032 | NON-LOCKING | 19 mm | 13,3 mm |
| 5032A | SEMI-LOCKING | 19 mm | 13,3 mm |



ANTI-ROTATIONAL CLIPS

| Part No. | Description | Panel thickness | Pocket width - A | Pocket depth - B |
|----------|---------------------|-----------------|------------------|------------------|
| 2075 | MALE NON-LOCKING | 16 mm | 12,7 mm | 14 mm |
| 2076 | FEMALE NON-LOCKING | 16 mm | 12,7 mm | 14 mm |
| 2077 | FEMALE SEMI-LOCKING | 16 mm | 12,7 mm | 14 mm |
| 5071 | MALE PASS-THRU | 16 mm | 11 mm | 12,1 mm |
| 5072 | FEMALE PASS-THRU | 19 mm | 13,3 mm | 12,1 mm |
| 5073 | MALE LOCKING | 19 mm | 13,3 mm | 12,1 mm |
| 5074 | FEMALE LOCKING | 19 mm | 13,3 mm | 12,1 mm |
| 5075 | MALE NON-LOCKING | 19 mm | 13,3 mm | 12,1 mm |
| 5076 | FEMALE NON LOCKING | 19 mm | 13,3 mm | 12,1 mm |

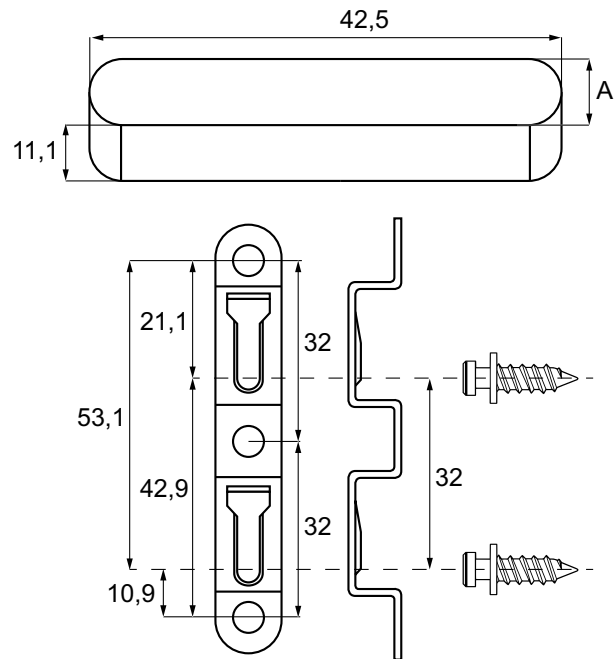


DOUBLE CLIP F/"INVISIO" KD-SYSTEM

- high quality furniture fittings



| DOUBLE CLIP | | | |
|-------------|--------------|-----------------|------------------|
| Part No. | Description | Panel thickness | Pocket width - A |
| 4036 | NON-LOCKING | 16 mm | 11 mm |
| 4037 | SEMI-LOCKING | 16 mm | 11 mm |
| 4038 | LOCKING | 16 mm | 11 mm |
| 4039 | PASS-THRU | 16 mm | 11 mm |
| 4039A | PASS-THRU | | |
| | SEMI-LOCKING | 16 mm | 11 mm |
| 5033 | NON-LOCKING | 19 mm | 13,3 mm |
| 5034 | LOCKING | 19 mm | 13,3 mm |
| 5035 | SEMI-LOCKING | 19 mm | 13,3 mm |
| 5039 | PASS-THRU | 19 mm | 13,3 mm |
| 5039A | PASS-THRU | | |
| | SEMI-LOCKING | 19 mm | 13,3 mm |



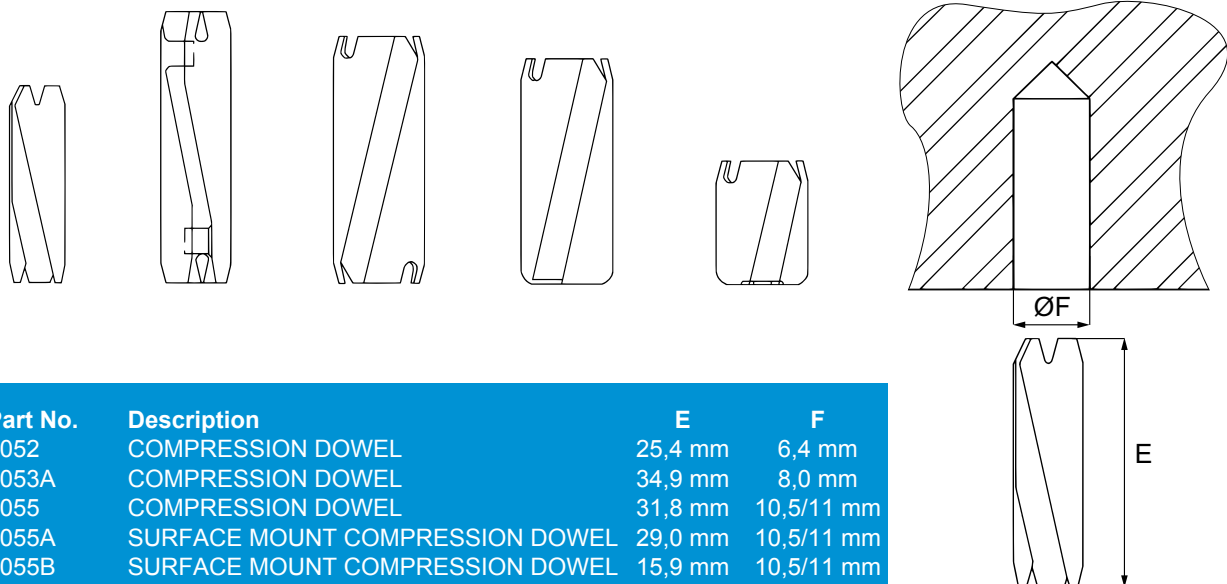
COMPRESSION DOWELS

Applications:

Used to fasten decorative trim pieces (ex. toe kicks, splash rails, top caps).

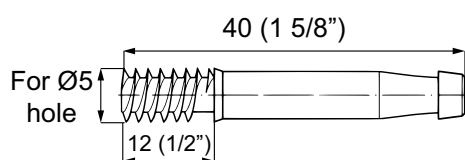
Used with wood dowels, the compression dowels function as an internal clamp until the glue sets.

Surface mount dowels feature a closed end that can be screwed down with a #10 pan head screw. This allows the dowel to stay fastened to the proper member during disassembly.

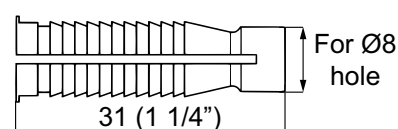


| Part No. | Description | E | F |
|----------|---------------------------------|---------|------------|
| 5052 | COMPRESSION DOWEL | 25,4 mm | 6,4 mm |
| 5053A | COMPRESSION DOWEL | 34,9 mm | 8,0 mm |
| 5055 | COMPRESSION DOWEL | 31,8 mm | 10,5/11 mm |
| 5055A | SURFACE MOUNT COMPRESSION DOWEL | 29,0 mm | 10,5/11 mm |
| 5055B | SURFACE MOUNT COMPRESSION DOWEL | 15,9 mm | 10,5/11 mm |

QUICK DOWELS



Male bolt surface



Female dowel end grain

COMPRESSION DOWEL

Material
Spring steel

Mounting
Self-tightening by tension against insertion direction

Advantages
Concealed, self-tightening dowel, immediate load bearing

Installation
Dowel-jig, power drill, dowel inserting machine

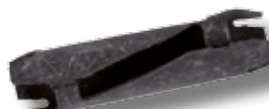
Suitable materials
All kinds of wood material (solid and composite material)

Application
To join furniture, interior design, shopfitting

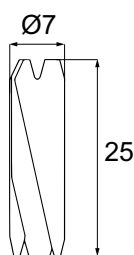
6 x 25 MM



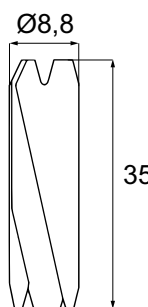
8 x 35 MM



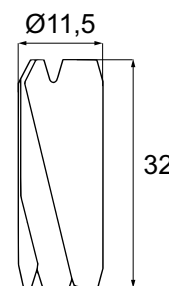
10 x 32 MM



Drill hole Ø6 mm



Drill hole Ø8 mm



Drill hole Ø10 mm

QUICK SET - 2-PART CABINET CONNECTOR

QUICK SET 2-PART CABINET CONNECTOR

Mounting
By screwing in the anchorbolt and knock in the plastic dowel

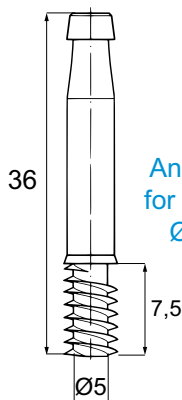
Advantages
Concealed, self-tightening connector

Installation
Dowel-jig, power drill, dowel inserting machine

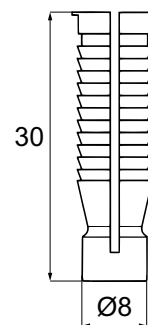
Suitable materials
All kinds of wood boards (solid and composite material)

Application
Furniture, interior design, shopfitting

Item No.:
Steel bolt - BZP # 11.16.530
Plastic bushing # 11.16.531



Anchorbolt
for drill hole
Ø5 mm

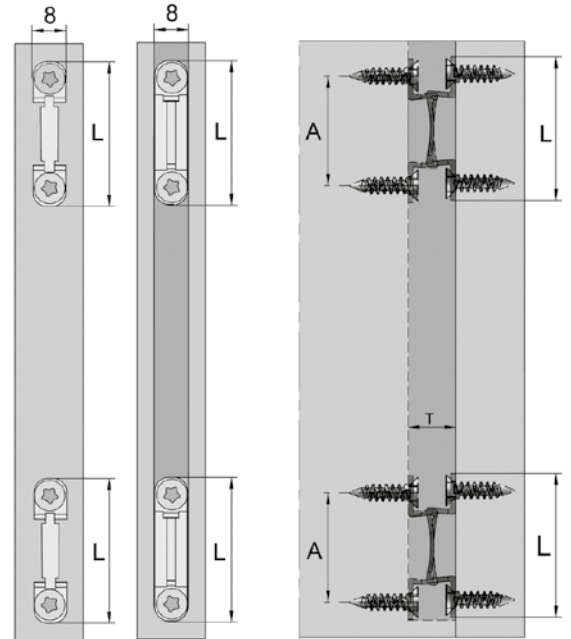
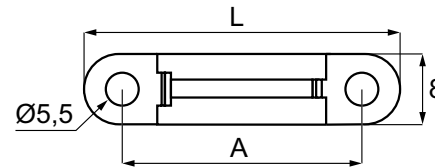
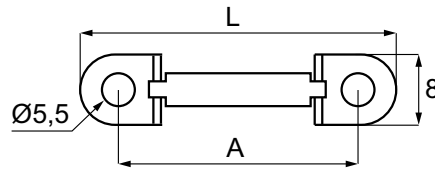


Plastic dowel
for drill hole
Ø8 mm

"INVISIO" ANTI ROTATING CLIPS

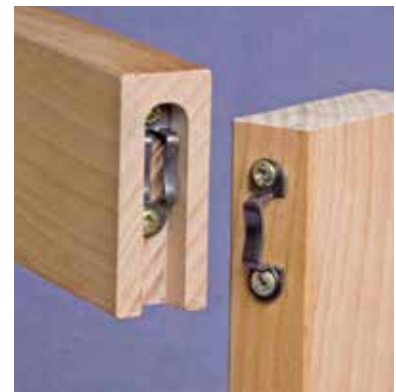
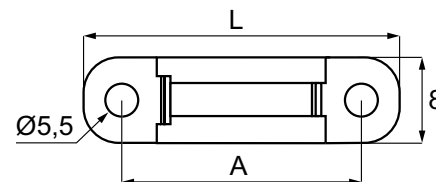
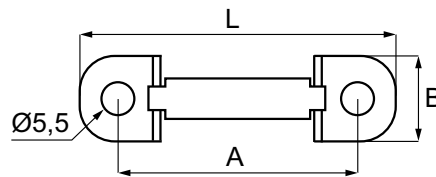
- high quality furniture fittings

Connector for cabinet, Anti-Rotation, out of spring steel



"INVISIO" ANTI ROTATING CLIPS W/PASS-THRU CLIP

Connector for Frames, friction prevents the joint from disengaging, with Pass-Thru Clip



| Model | 2075/76/77 | 5075/76/77 |
|----------------------|------------|------------|
| Routing depth T | 14 mm | 12 mm |
| Routing width B | 10 mm | 13,5 mm |
| Routing length L | 42 mm | 42 mm |
| Panel thickness from | 16 mm | 19 mm |
| Hole-line A | 32 mm | 32 mm |

Mounting

Screwed in by using PH-screws $\varnothing = 4,5$ mm (length as required)

Advantages

No rotation, concealed, self-tightening connector for 32 mm system, demountable

Installation

Spindle moulder, plunge router, CNC equipment

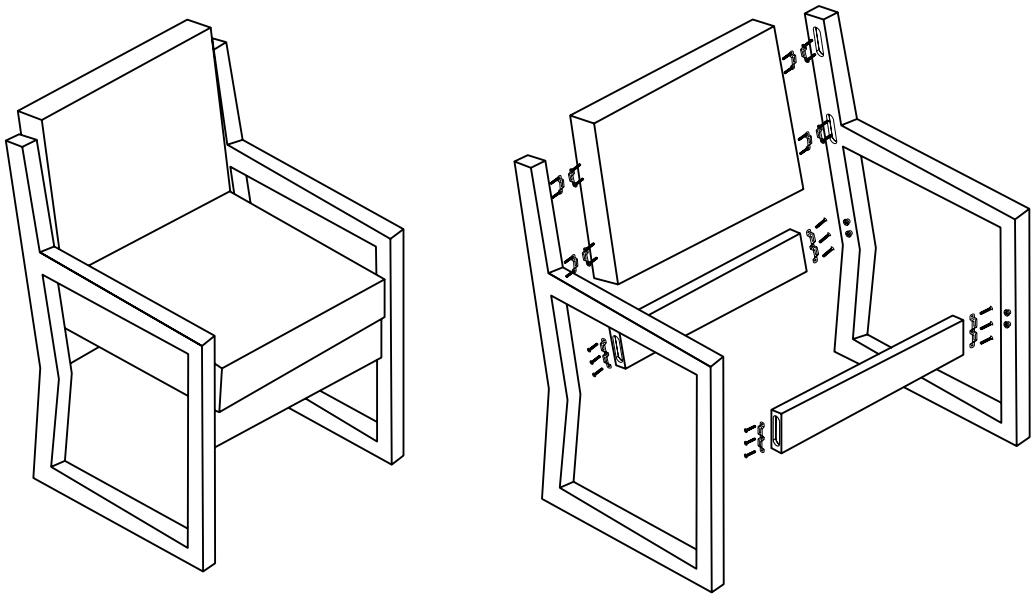
Suitable materials

Solid wood, wood panels, composite materials from 16 mm thickness up

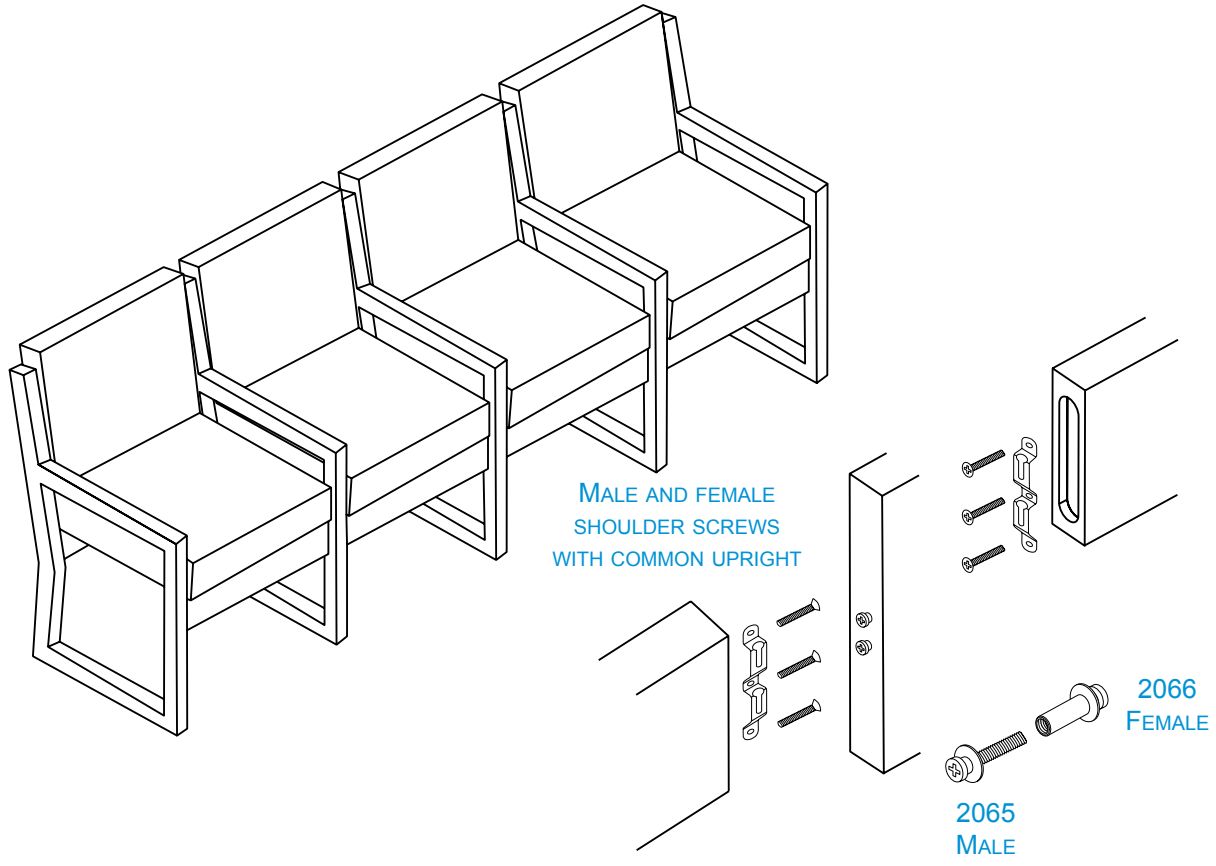
Application

Prevents rotation in furniture parts where height of the part is as small as 50 mm

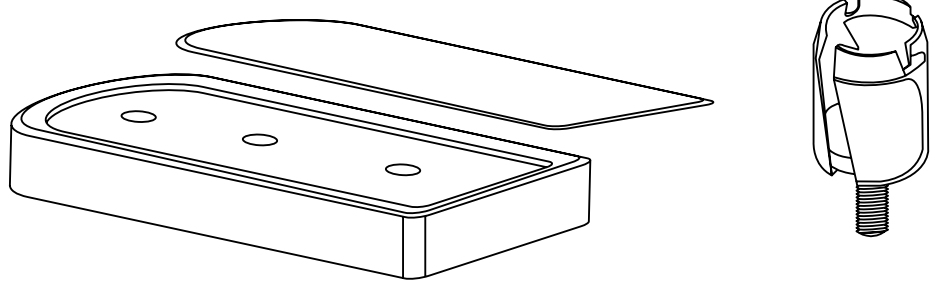
KNOCK-DOWN CHAIR



ALSO GREAT FOR CHAIR ROW



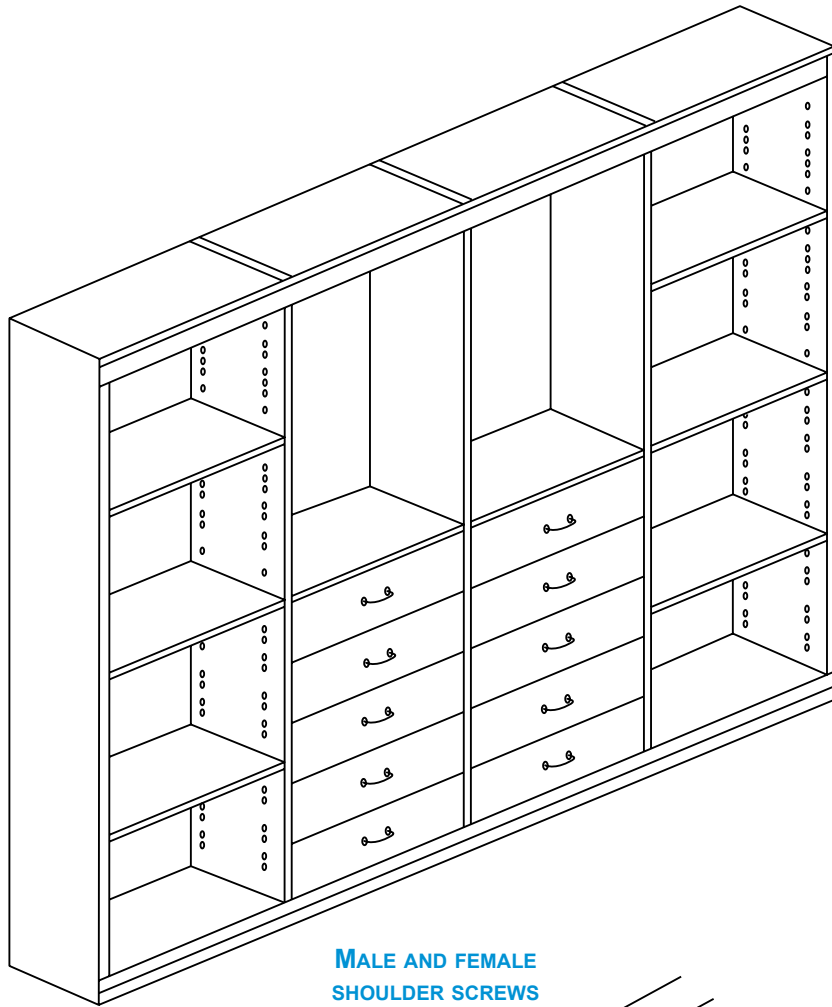
COMPRESSION DOWELS CAN BE USED TO ATTACH DECORATIVE MOULDING TO ARM RAILS



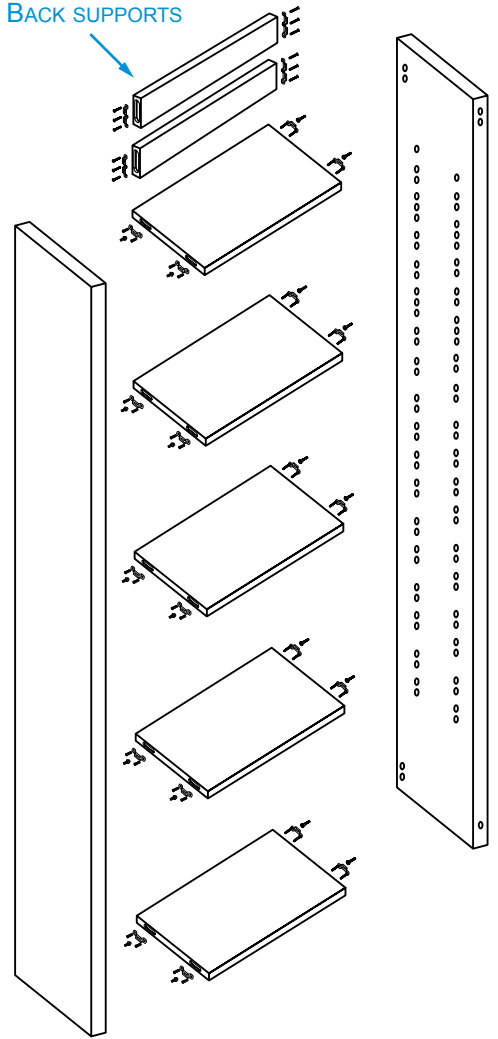
KNOCK-DOWN CLOSET

- high quality furniture fittings

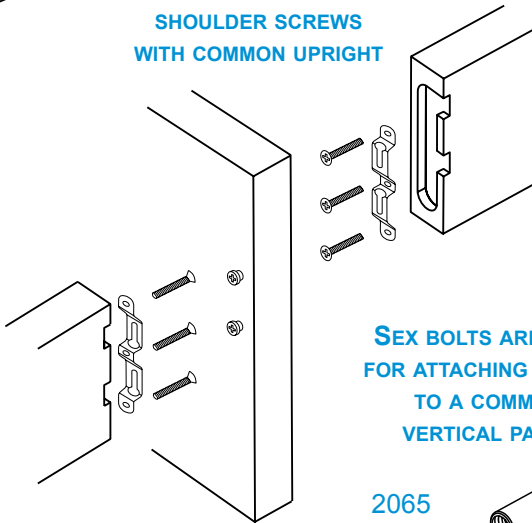
SISO DENMARK



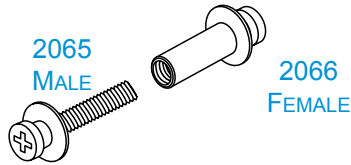
BACK SUPPORTS



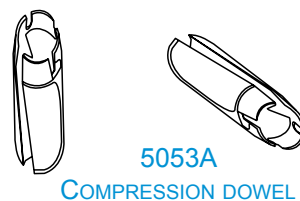
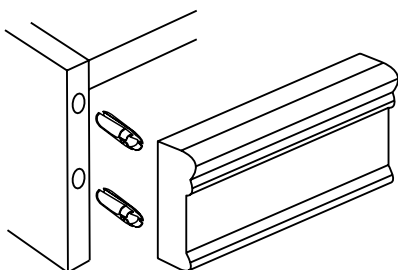
MALE AND FEMALE
SHOULDER SCREWS
WITH COMMON UPRIGHT



SEX BOLTS ARE USED
FOR ATTACHING PANELS
TO A COMMON
VERTICAL PANEL

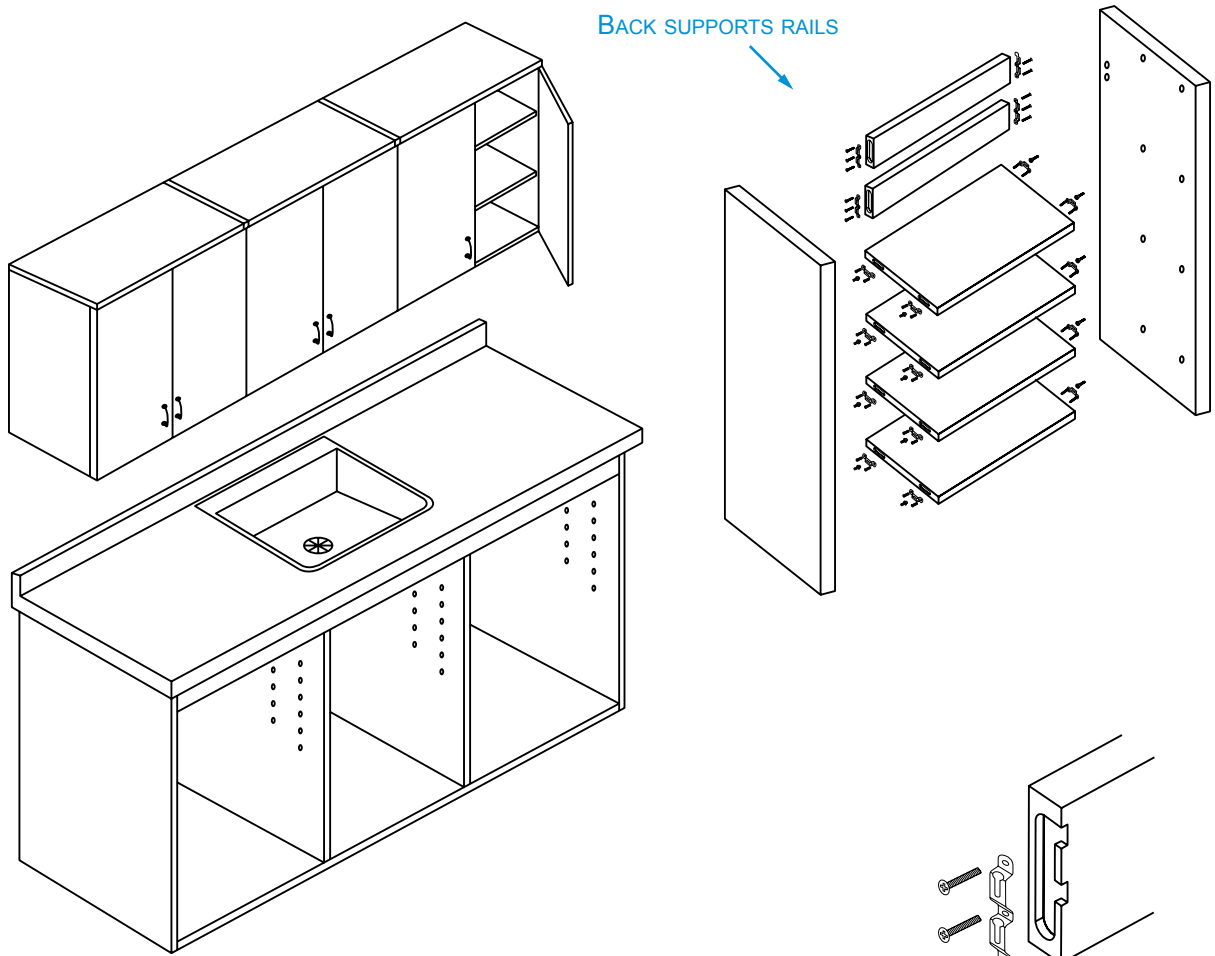


COMPRESSION DOWELS CAN BE USED FOR ATTACHING DECORATIVE MOULDING PIECES



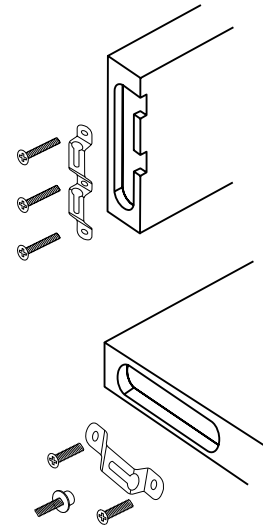
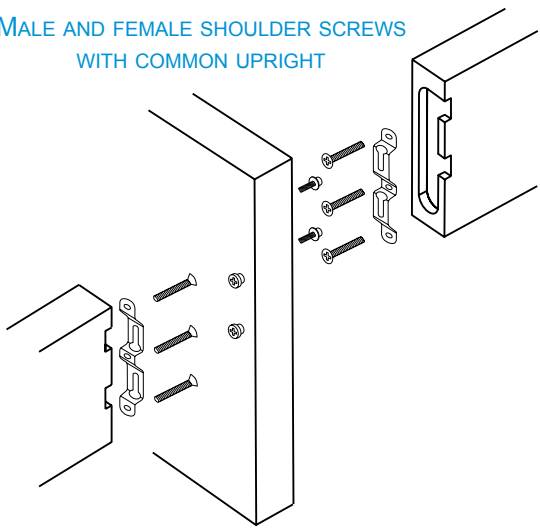
5053A
COMPRESSION DOWEL

KNOCK-DOWN KITCHEN



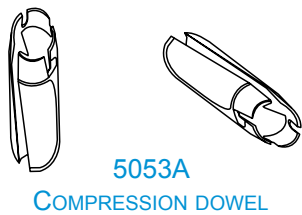
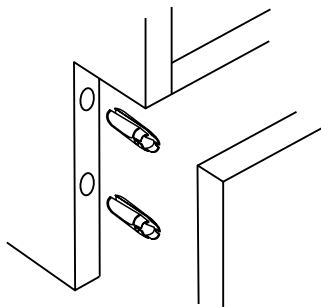
BACK SUPPORTS RAILS

MALE AND FEMALE SHOULDER SCREWS WITH COMMON UPRIGHT



SIDE BY SIDE BY UNITS CAN BE ASSEMBLED USING SEX BOLTS BETWEEN COMMON UPRIGHT

COMPRESSION DOWELS CAN BE USED FOR ATTACHING TO KICKS TO BASE UNITS





- high quality furniture fittings

Item No.: 99.00.004-0 30.09.2013

SISO A/S

Mileparken 11 Phone: (+45) 45 830 900
DK - 2740 Skovlunde (Copenhagen) Fax: (+45) 45 830 444
Denmark E-mail: siso@siso.dk Web: www.siso.dk