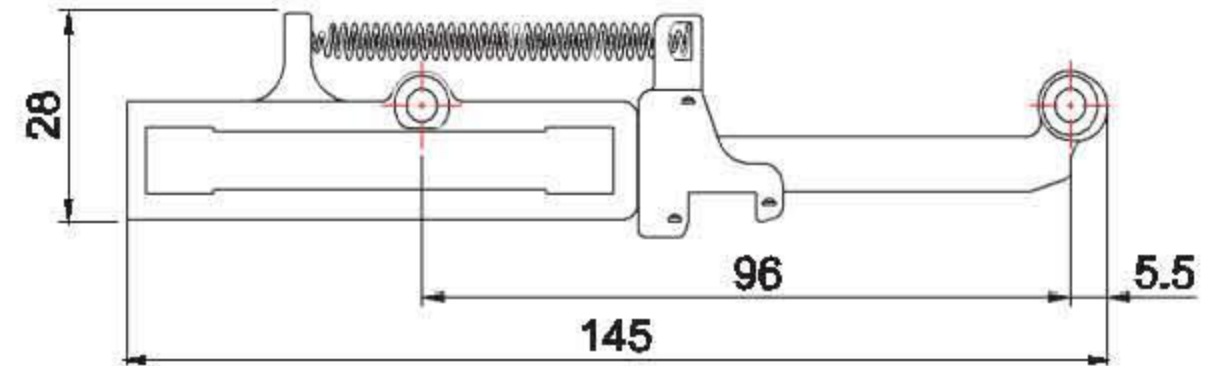


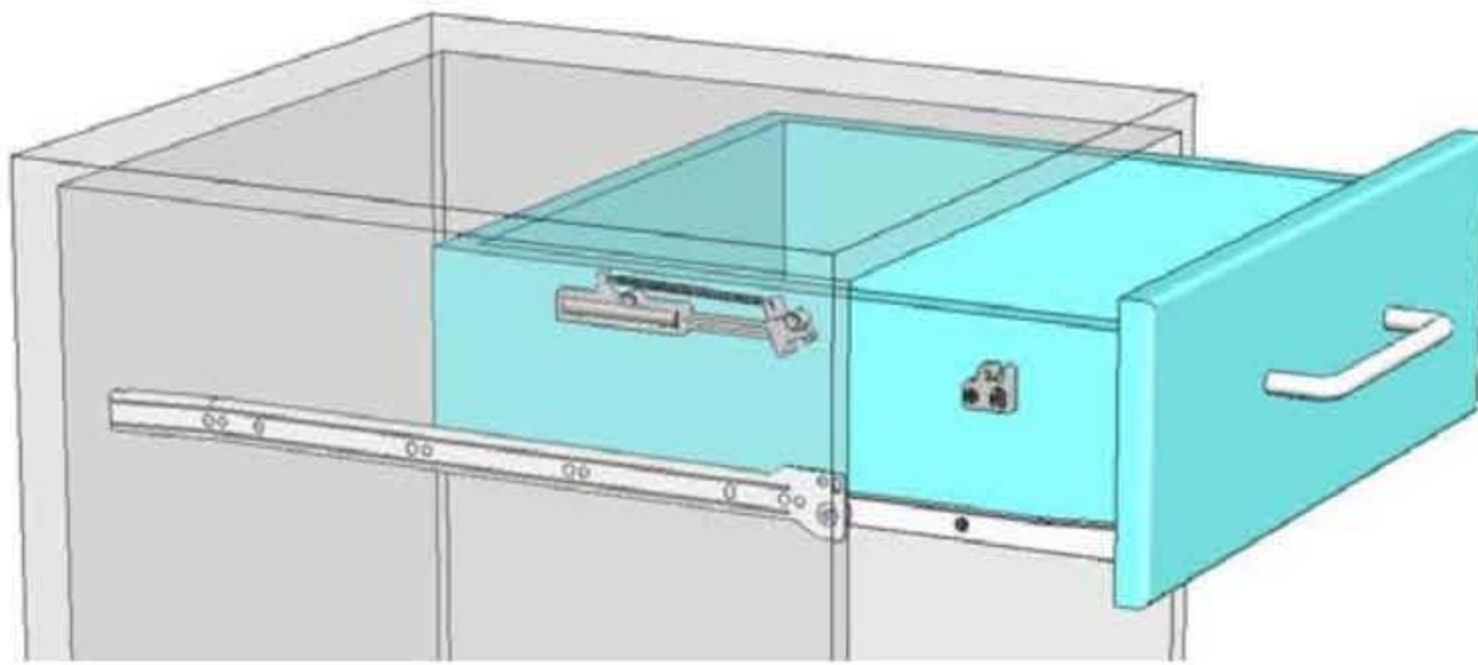
Soft Closing Device

Model: Wooden Drawer Item No. 16.10.600
Metal Box Item No. 16.10.610

- * Soft Closing
(By Gas Cylinder, Travel 45mm)
- * For Wooden Cabinet
- * Installation Width 10mm~13.5mm
- * Non-handed
- * Material: Plastic

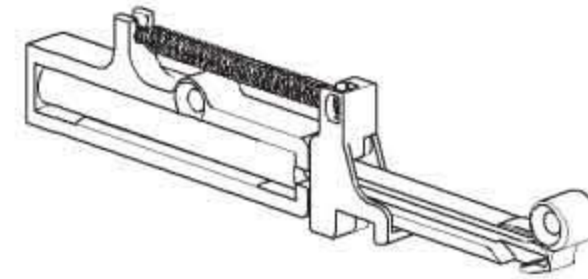


Wooden Drawer

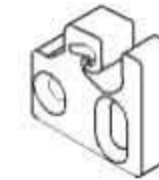


Including

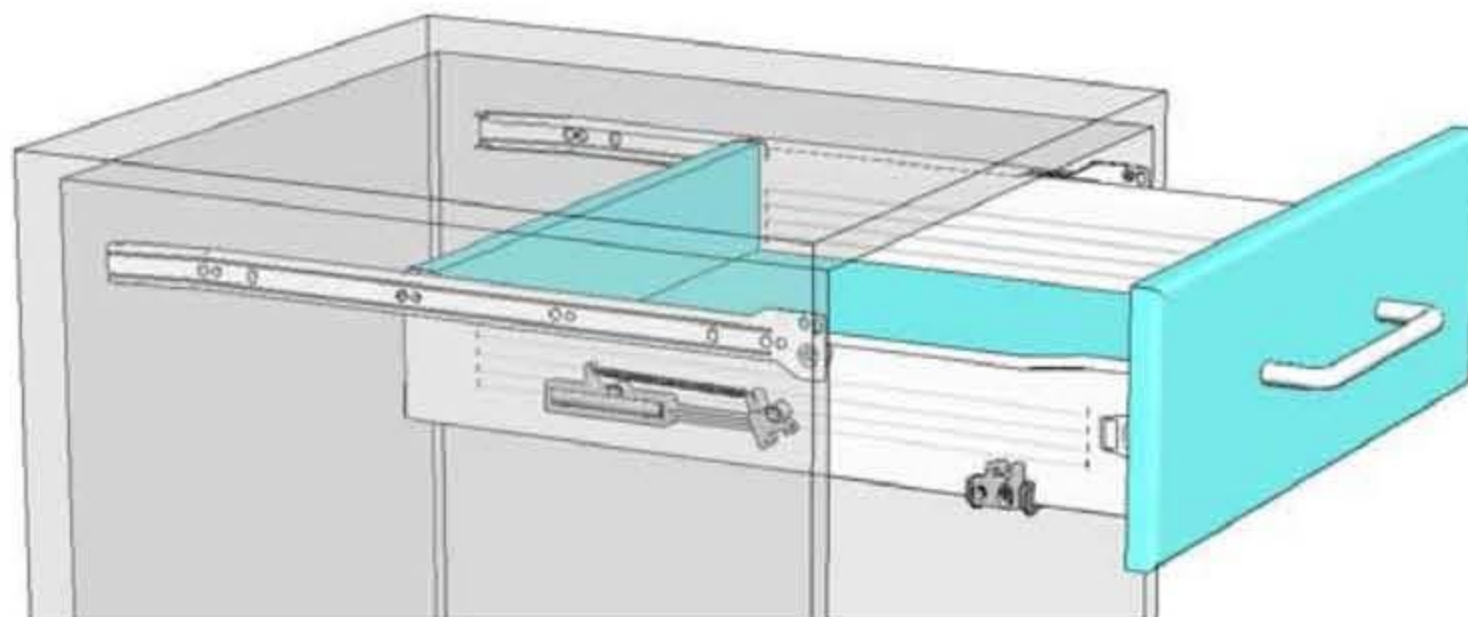
1. Soft Closing System
(For Mounting to Cabinet)



2. Striker
(For Mounting to Drawer)

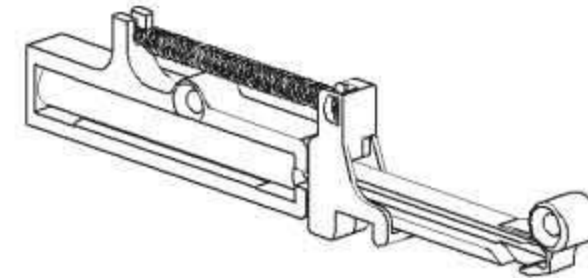


Metal Box

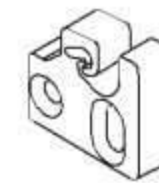


Including

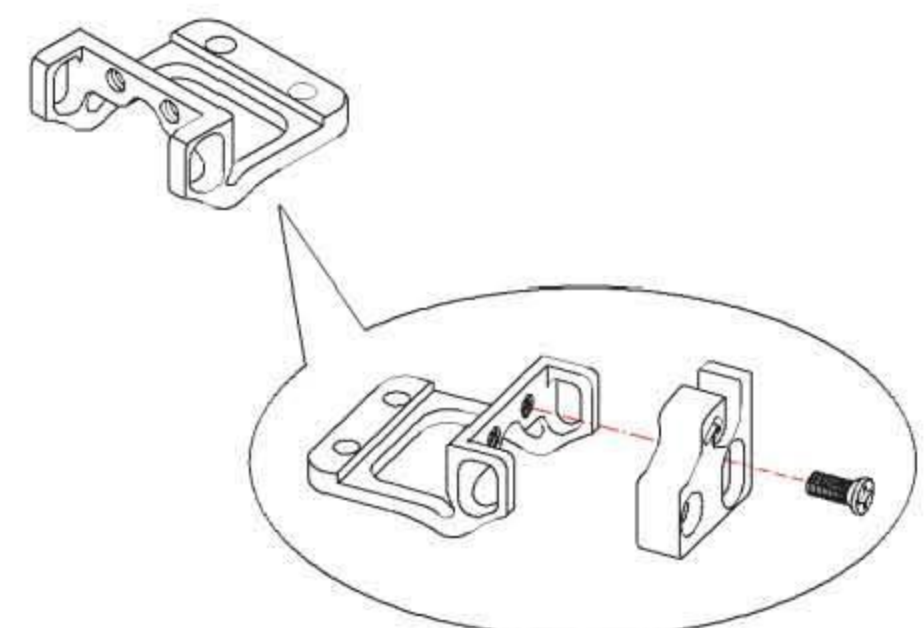
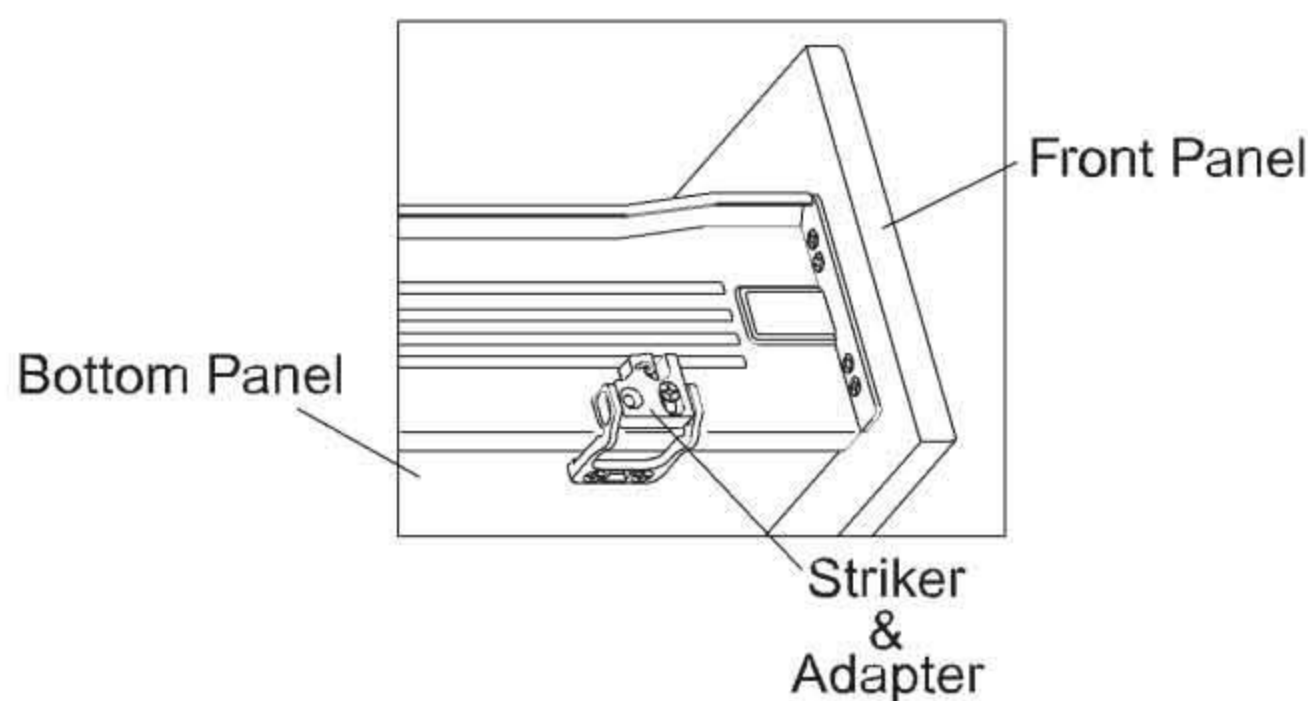
1. Soft Closing System
(For Mounting to Cabinet)



2. Striker



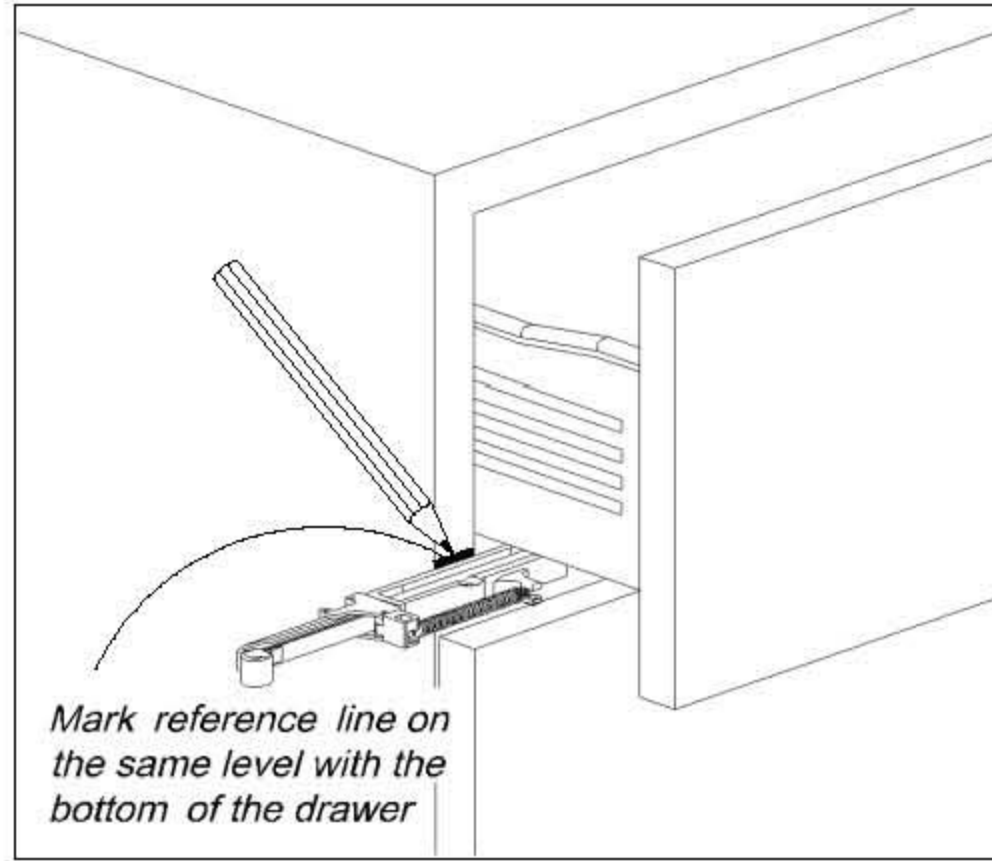
3. Adapter
(Connector Striker to Bottom Panel)



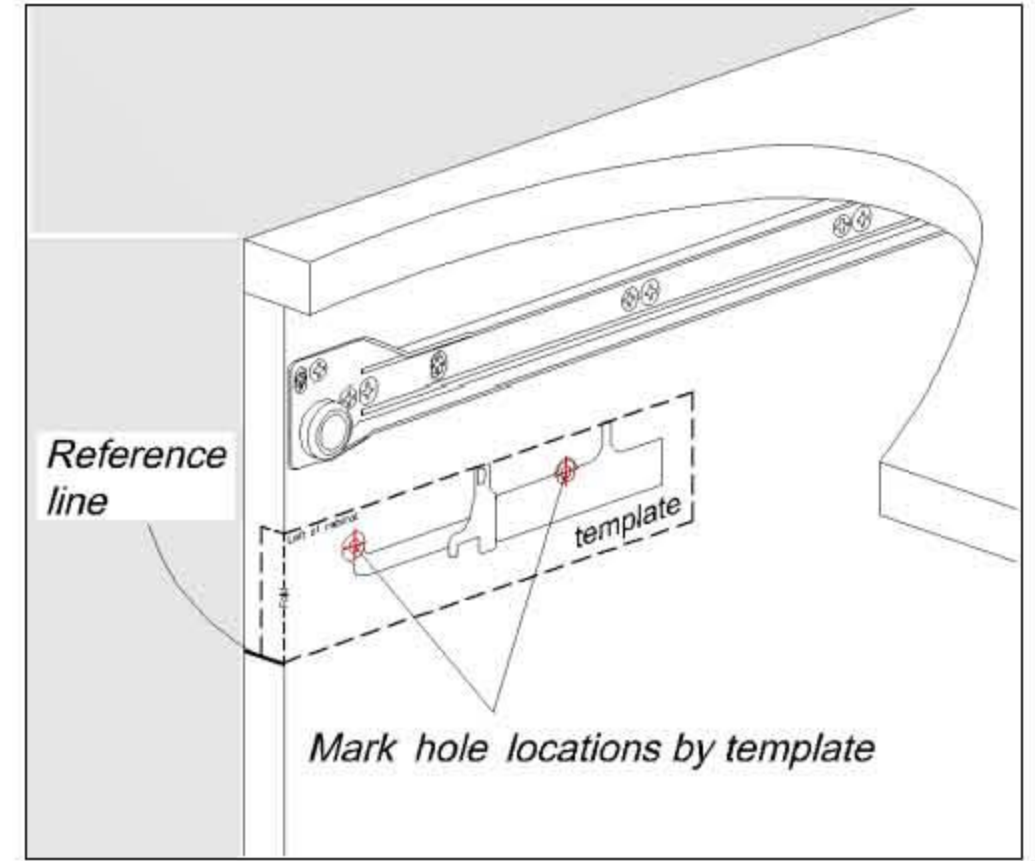
APPLICATIONS:

- **Metal** Box of wooden furniture
- Width of gap **15.5mm** per side.

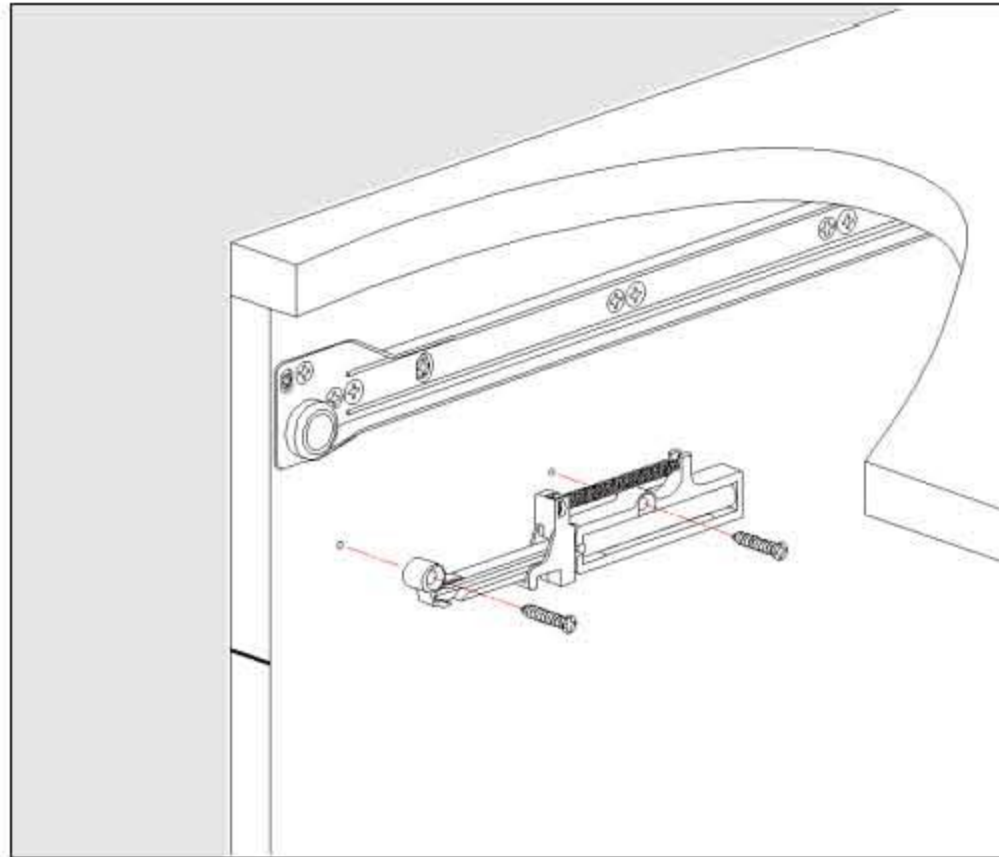
Step 1: Mark reference line



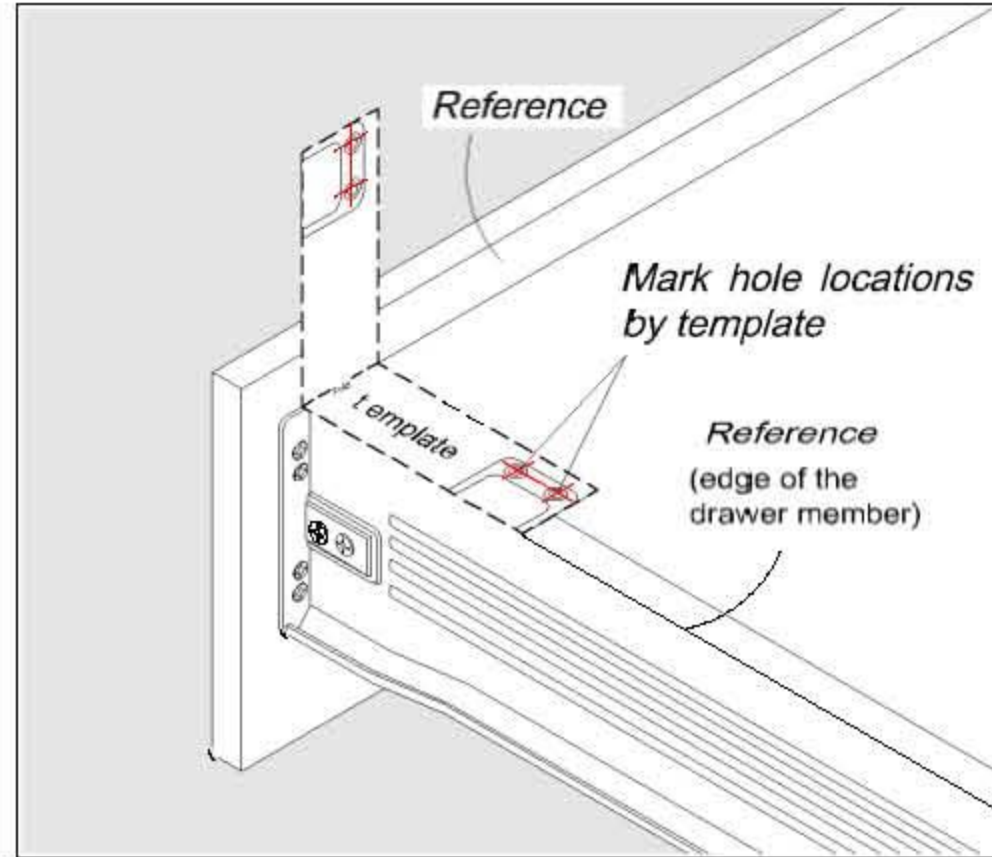
Step 2: Mark hole locations



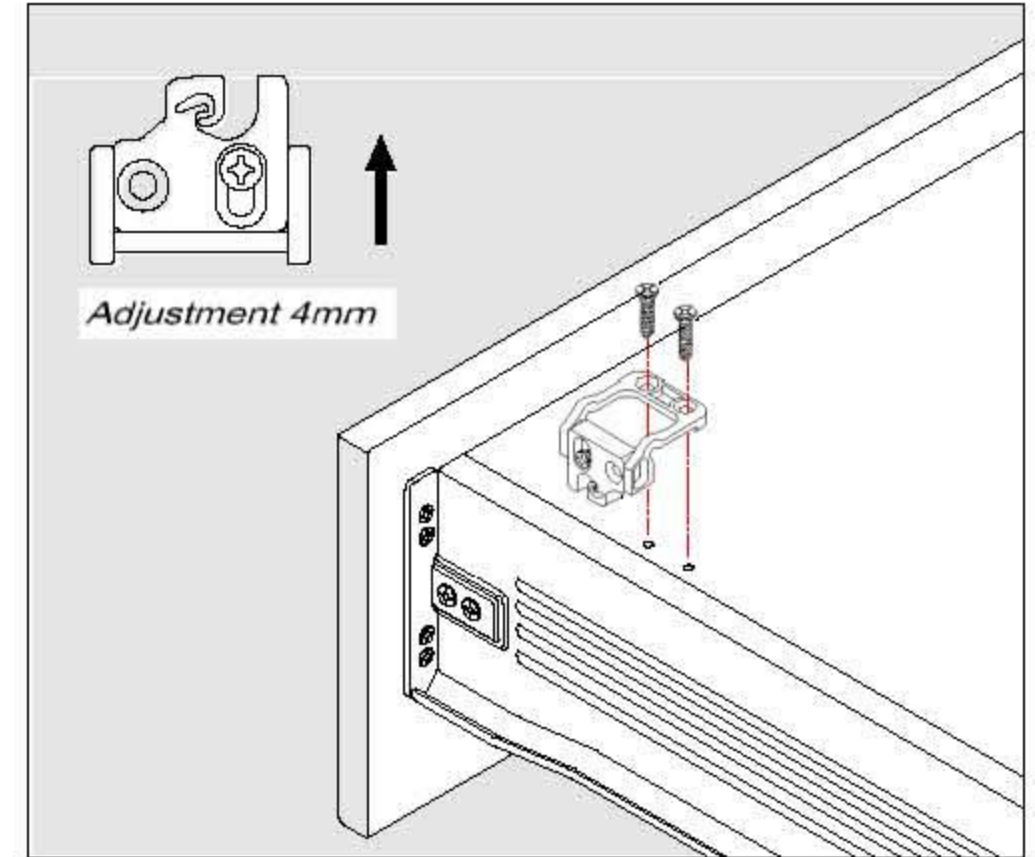
Step 3: Attach the "Body" to cabinet



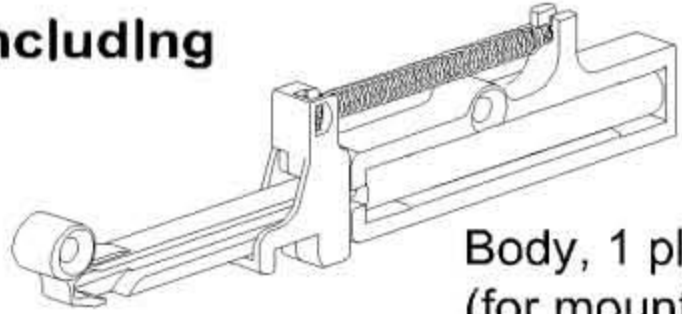
Step 4: Mark hole locations



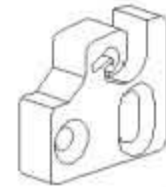
Step 5: Attach the "Adapter" to drawer



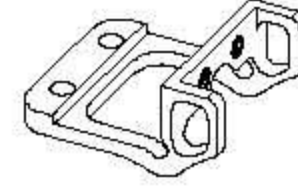
Including



Body, 1 piece
(for mounting to cabinet)



Follower, 1 piece
(for mounting to adapter)



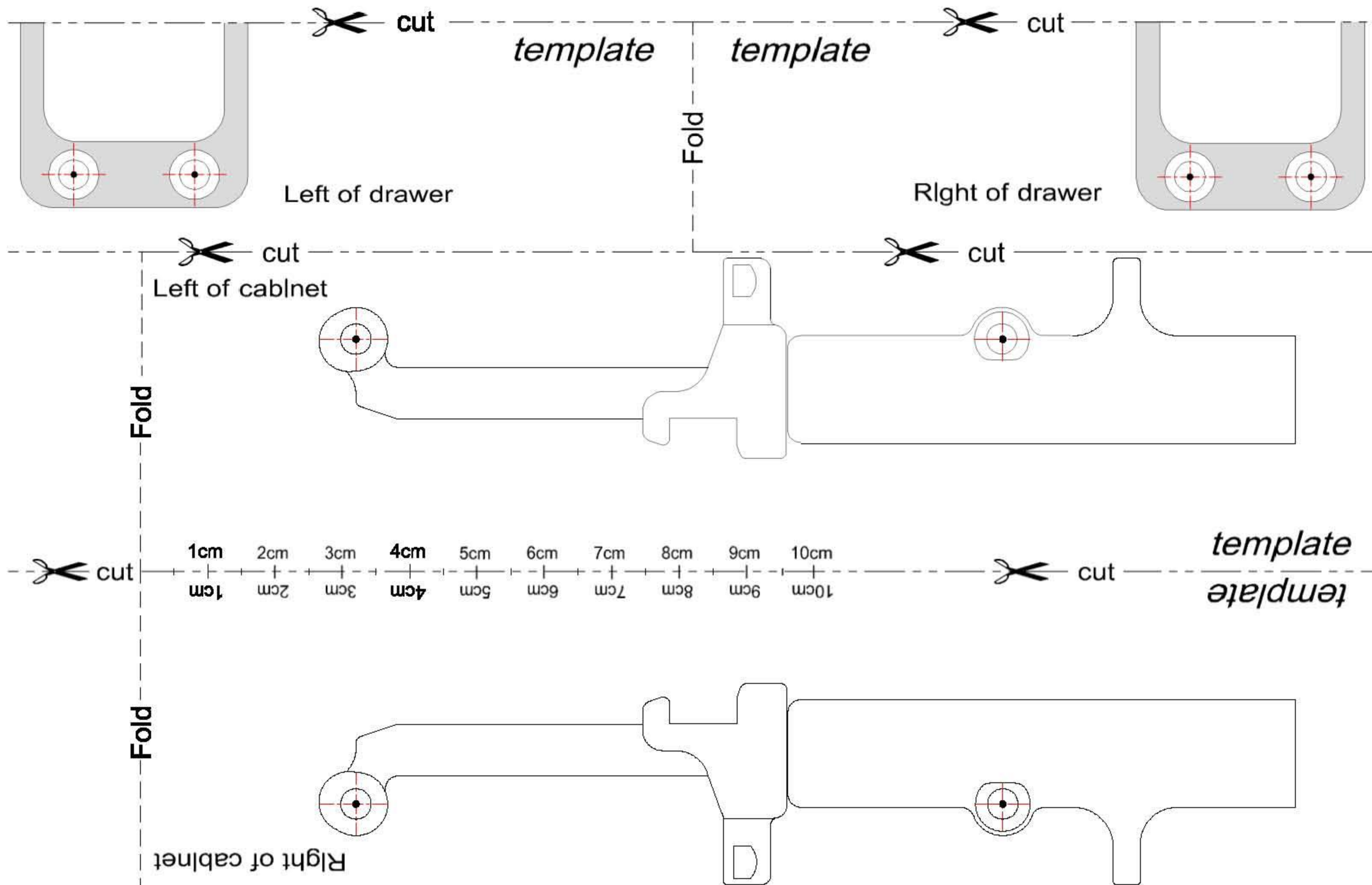
Adapter, 1 piece
(for mounting to drawer)



M4x 10mmL , 1 piece



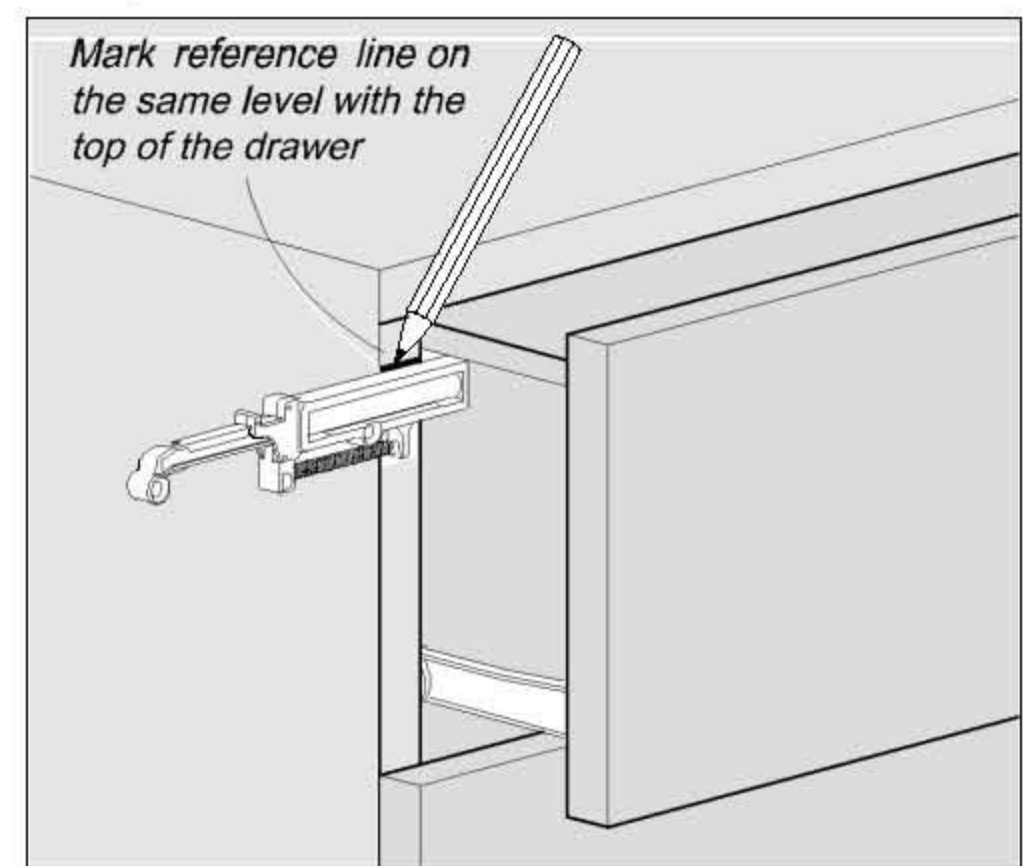
4x 18mmL , 4 pieces



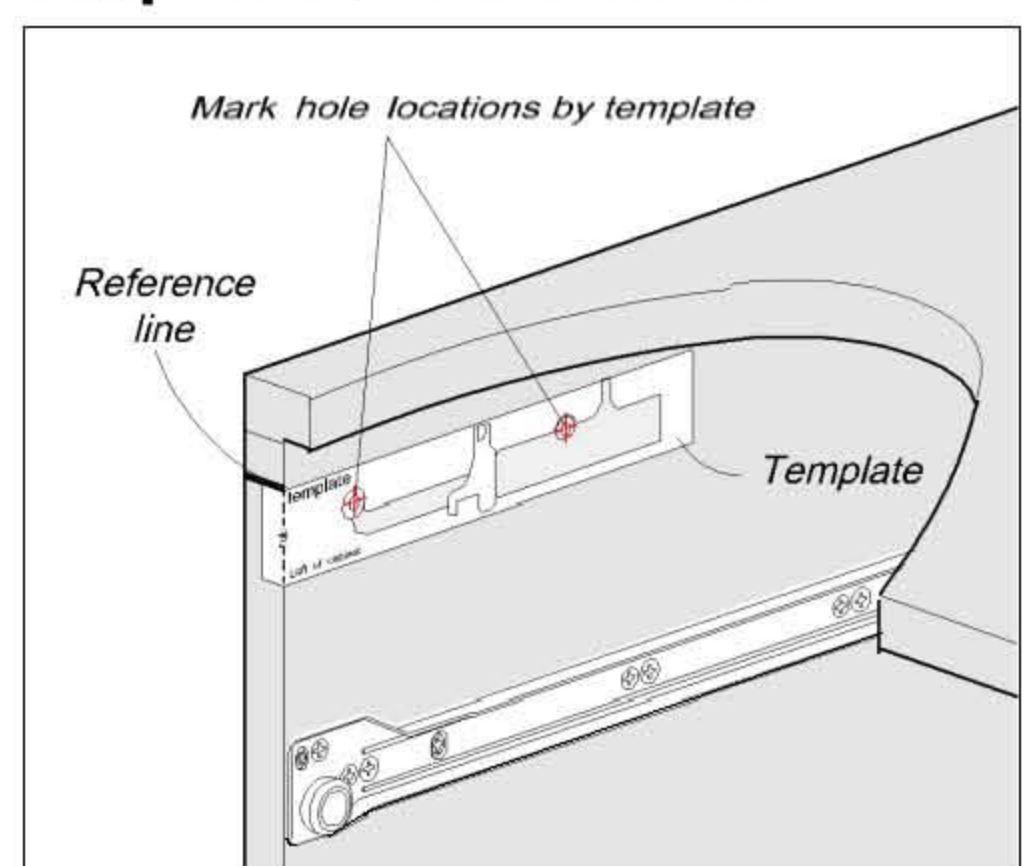
APPLICATIONS:

- For mounting to wooden drawer and cabinet.
- For Euro Slide or Ball Bearing slide (remove rubber hold close device on ball bearing slide).
- Width of gap 10mm to 13.5mm(per slide).
- Option for left or right handed fixing.

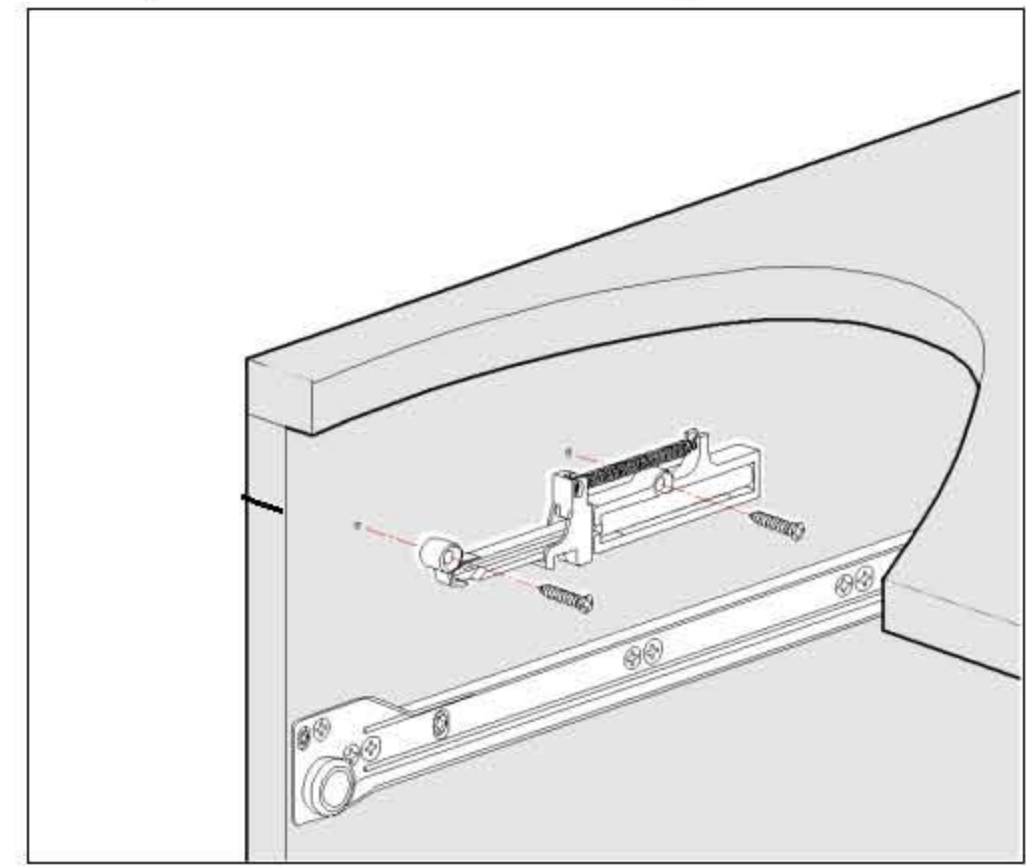
Step 1: Mark reference line



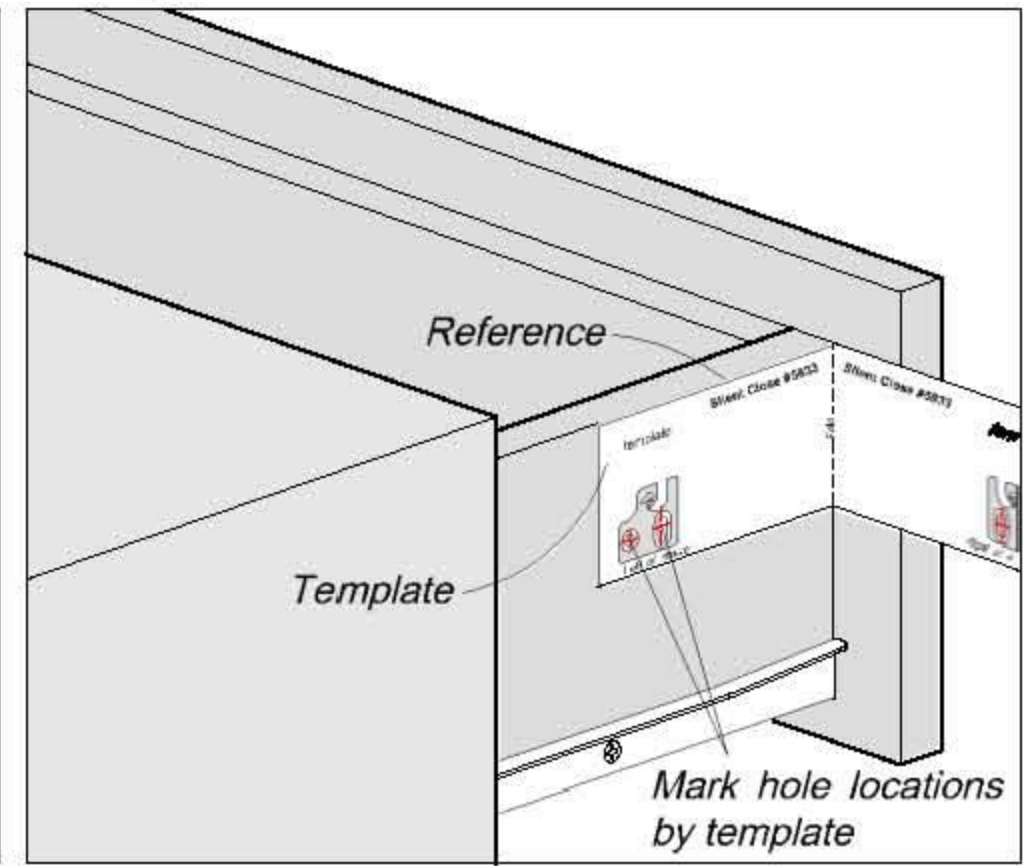
Step 2: Mark hole locations



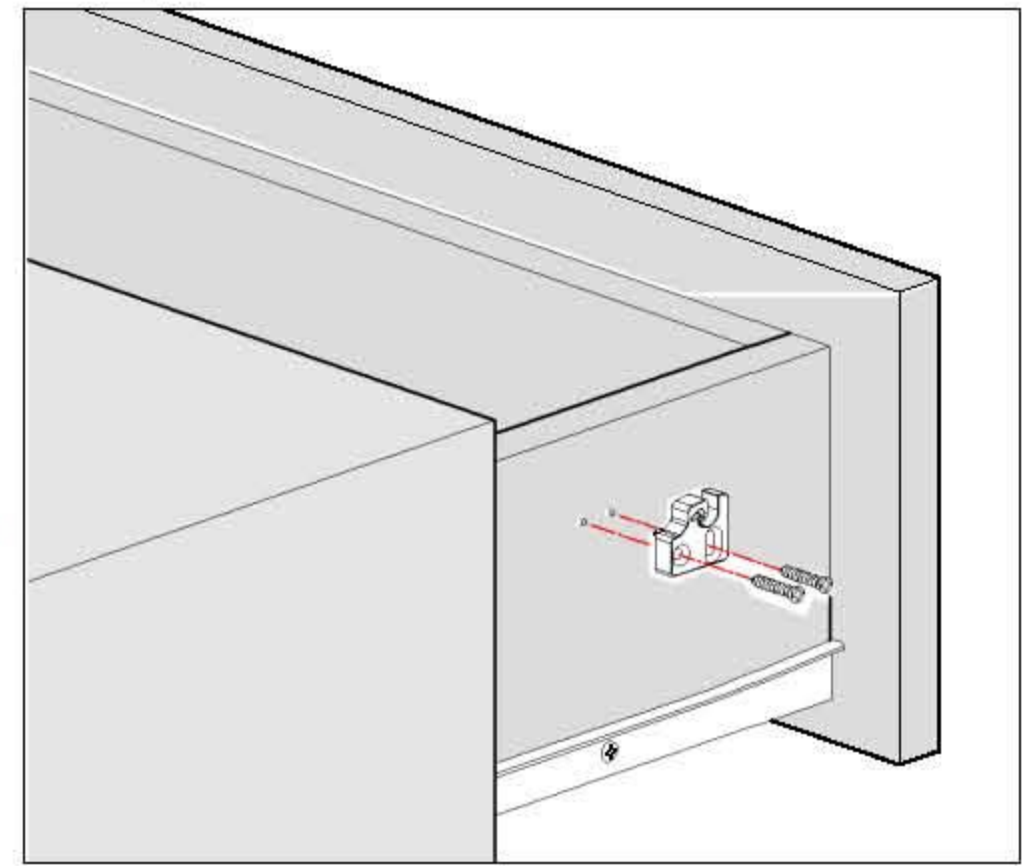
Step 3: Attach the "Body" to cabinet



Step 4: Mark hole locations



Step 5: Attach the "Follower" to drawer



Including

