

# Fittings for OUTDOOR furniture



Steamer chair fittings



Steamer chair made by Alexander Rose



- high quality furniture fittings





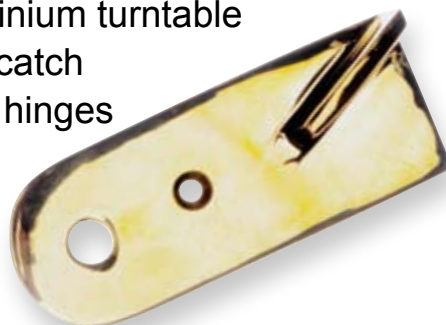
*- high quality furniture fittings*

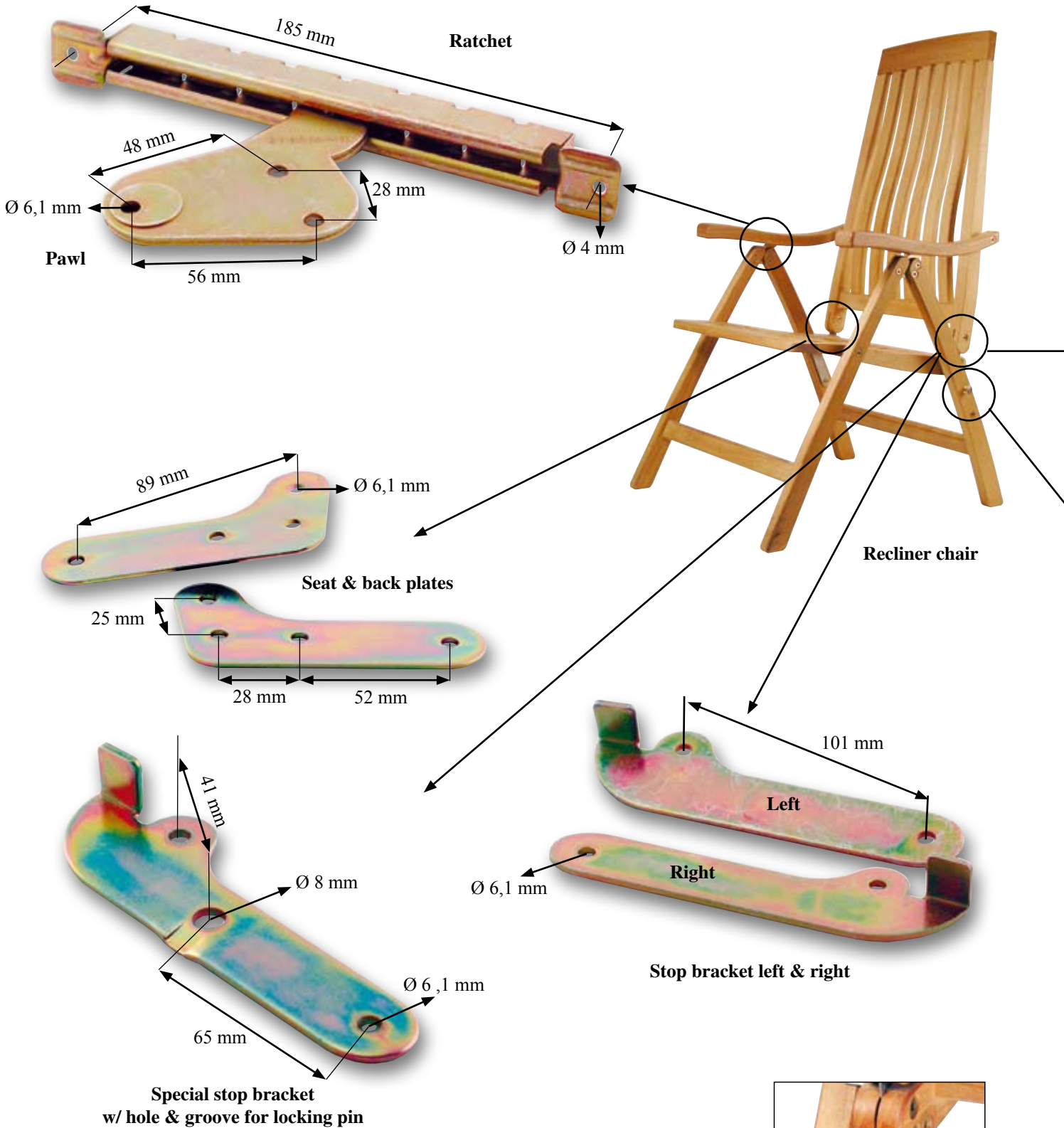
SISO A/S  
MILEPARKEN 11  
DK - 2740 SKOVLUNDE  
(COPENHAGEN)  
DENMARK  
PHONE: (+45) 45 830 900  
FAX: (+45) 45 830 444

DISTRIBUTOR

## Contents

<b>Fittings for outdoor furniture</b>	<b>4-41</b>
Recliner chair fittings	4-5
Steamer chair fittings	6-7
U-brackets & straps	8
Steel fork castor w/top plate	9
Umbrella fittings	10-12
Hinges	12-15
Hinge & Swing seat spring	15
Fittings f/cushion boxes	16-19
Heavy duty cushion box hinges SS-304	20-21
Pneumatic expansion spring, f/laundry boxes	22-23
Knock down »System S«	24-25
Brass Combifix heads	26-29
Steel Combifix heads	29-30
Fifteen screws, bolts	31
Cross dowels	32
Insex screws & mushroom screws	33
Insex covers & Insex collars	34
Insex collars, drill bit, tubes & spacers	35
Insex keys	36
Screws	37
Bushings	38-41
<b>Fittings for garden tables</b>	<b>42-57</b>
Table slides	43-46
Hide away mechanism	47
Leg corner brackets, nuts & wing screw	48-49
Locking pins & hooks	50
Hangerbolts & washers	51
Lazy Susan aluminium turntable	52
Catch # 22 table catch	53
Pins, spanners & hinges	54-57





**SPECIAL STOP BRACKET  
W/ HOLE & GROOVE FOR LOCKING PIN**

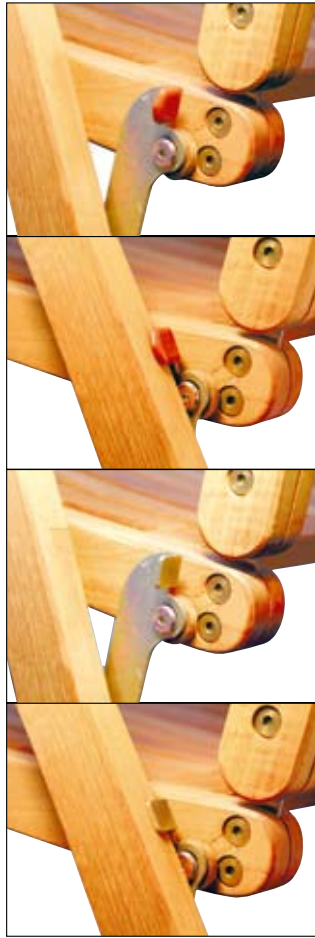
Material: Steel, Yellow Zinc Plated - 12 micron  
1 Stop bracket left (when seated) # 04.04.955



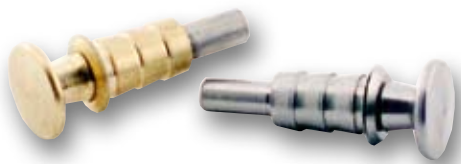
Close up of special stop bracket



## RECLINER CHAIR FITTINGS



Stop bracket w/cap in function



Locking pin for recliner chair



Protective PVC cap for stop bracket

### LOCKING PIN FOR RECLINER CHAIR



Close up of locking pin

Material: Steel or Stainless Steel (SS) AISI 304

Finish: Steel, Yellow Zinc Plated - 12 micron  
Stainless Steel, Natural

1 Complete set in steel for one recliner chair:

2 Ratchets	# 04.05.010
2 Pawls	# 04.05.015
1 Stop bracket right (when seated)	# 04.04.920
1 Stop bracket left (when seated)	# 04.04.970
2 Seat & back plates	# 04.05.035

1 Complete set in stainless steel for one recliner chair:

2 Ratchets	# 04.05.040
2 Pawls	# 04.05.045
1 Stop bracket right (when seated)	# 04.04.922
1 Stop bracket left (when seated)	# 04.04.972
2 Seat & back plates	# 04.05.036

Optional:

2 Protective PVC caps for stop bracket	# 04.05.028
--	-------------

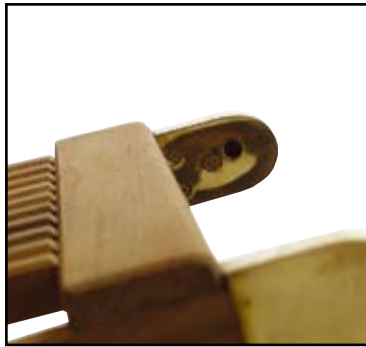
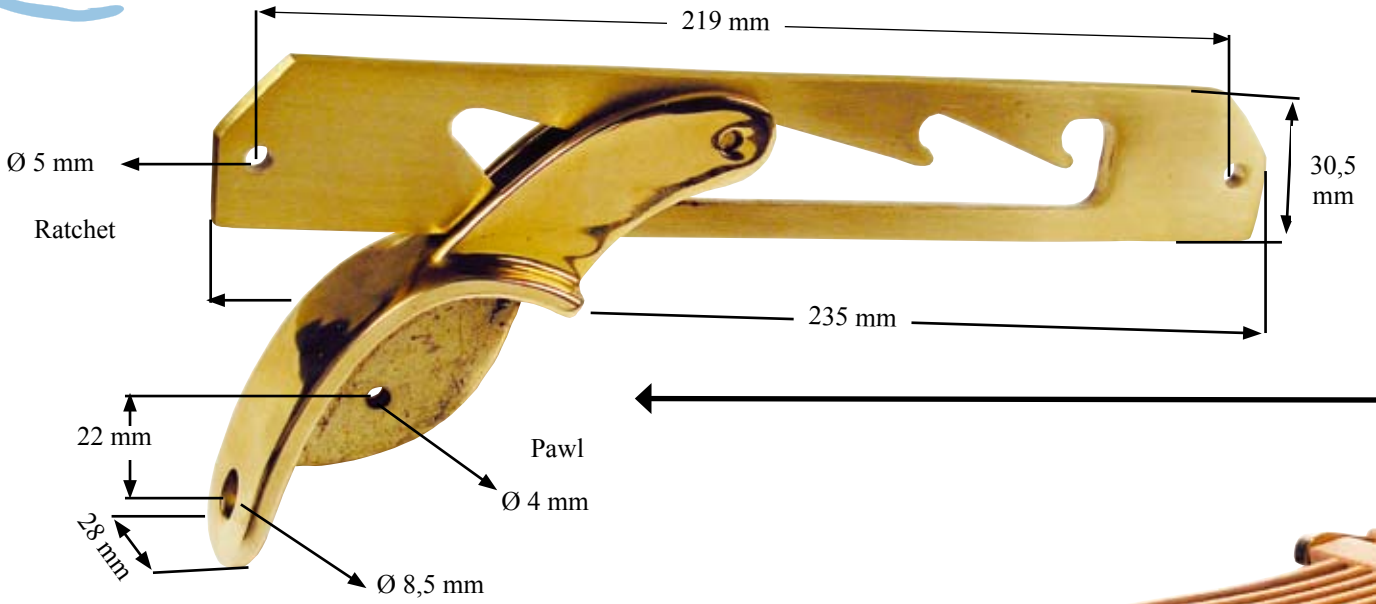
Screws, bolts, nuts & bushings are to be ordered separately according to furniture design, panel thickness etc.

Since 1999 the legislation of the European Union demands that a locking device is compulsory on all folding chairs imported into Europe to prevent the chair from folding accidentally.

Material: Brass (spring & pin made of stainless steel) # 04.05.085  
Stainless steel, Natural # 04.05.095

Size: Handle:  $\varnothing$  20 x 12mm  
Pin:  $\varnothing$  7,5 x 15mm  
Total length: 50mm

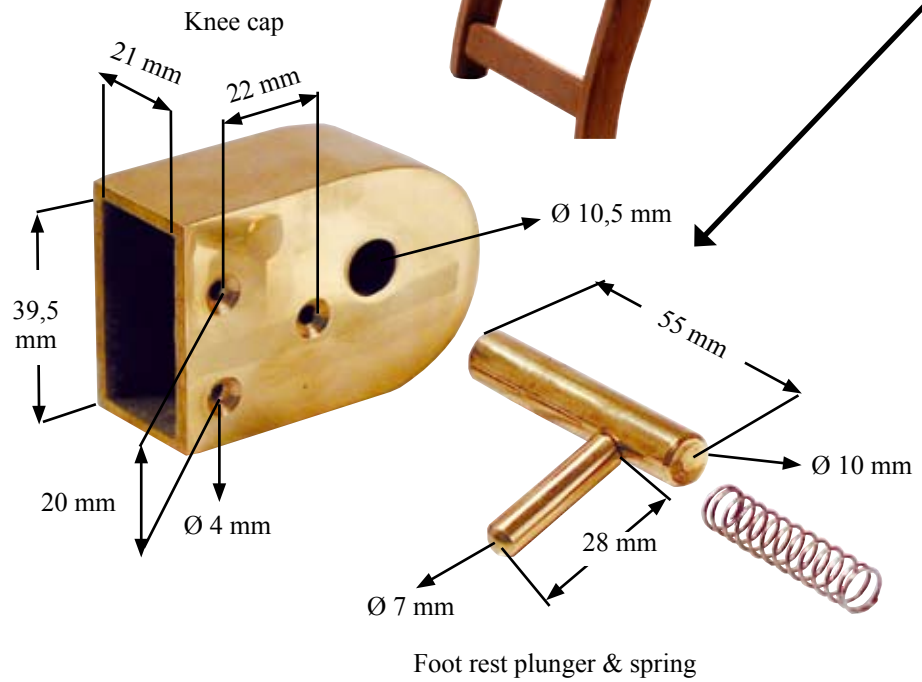
# STEAMER CHAIR FITTINGS



Close up of knee cap



Close ups of foot rest plunger



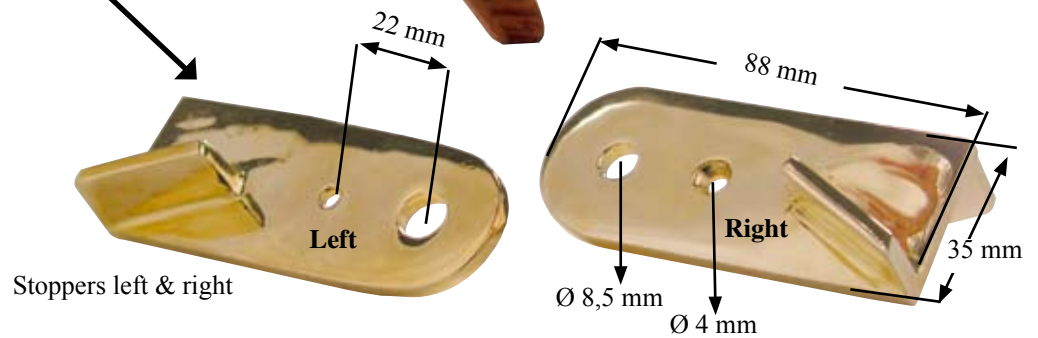
Foot rest plunger & spring



Foot rest plunger in action



Close up of stopper



## STEAMER CHAIR FITTINGS

Material: Brass

Finish: Polished

1 Complete set for one steamer chair:

2 Ratchets in 235 mm length	# 04.03.040
2 Pawls	# 04.03.010
2 Stoppers (left & right)	# 04.03.020

Optional:

2 Knee caps (left & right)	# 04.03.050
2 Foot rest plungers	# 04.05.155

Screws, bolts, nuts & bushings are to be ordered separately according to furniture design, panel thickness etc.

## U-BRACKETS & STRAPS



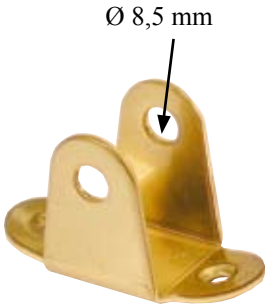
### U-BRACKET F/ ARMREST OF FOLDING CHAIR

**Material:** Brass, Lacquered, Steel, Yellow Zinc Plated (YZP) – 12 micron or Stainless Steel AISI 304 (SS)

**Size:** 65 mm length x 29 mm outer width (25 mm inner width) x 39 mm height

Material	Type	Hole	Finish	Item No.
Brass	Bent	Ø 8,5 mm	Lacquered	# 04.03.100
Brass	Flat	Ø 8,5 mm	Lacquered	# 04.03.102
Steel	Flat	Ø 9,5 mm	YZP	# 04.03.103
SS	Flat	Ø 9,5 mm	Natural	# 04.03.104

Other sizes on request



Brass, Bent

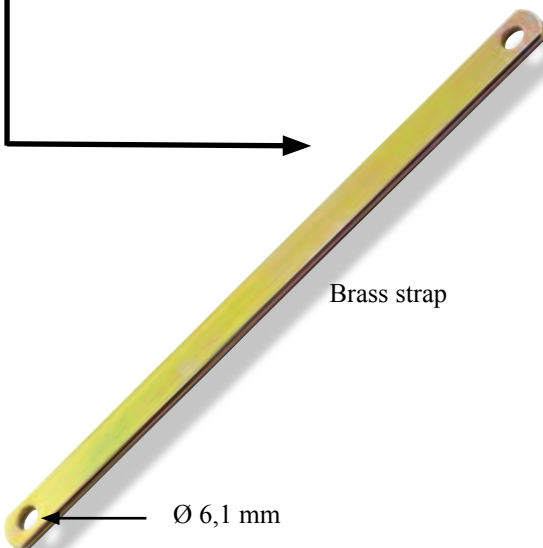
### STRAPS

**Material:** Brass, Natural or Steel, Yellow Zinc Plated (YZP) (Stainless Steel on request)

**Thickness:** 3 mm

Material	Length	Width	Finish	Item No.
Steel	51 mm	26 mm	YZP	# 04.03.405
Steel	106 mm	16 mm	YZP	# 04.03.430
Brass	126 mm	16 mm	Natural	# 04.03.450
Steel	235 mm	16 mm	YZP	# 04.03.420

Other sizes on request



Brass strap

Ø 6,1 mm



## STEEL FORK CASTOR W/TOP PLATE

Material: Wheel: Grey soft rubber  
Metal parts: Steel, Bright Zinc Plated

Application: Premounted top plate  
With or without brake

Ø 50 MM (TOP PLATE 50 X 50 MM. C/C 35 X 35 MM)

H: 72 mm (Mount. Height incl. top plate)

W: 16 mm

D: ø 50 mm

Max load: Dynamic: 30 kg  
Static: 45 kg

With brake # 08.12.162

Without brake # 08.12.161

Ø 75 MM (TOP PLATE 65 X 65MM. C/C 45 X 45 MM)

H: 104 mm (Mount. Height incl. top plate)

W: 21 mm

D: ø 75 mm

Max load: Dynamic: 45 kg  
Static: 60 kg

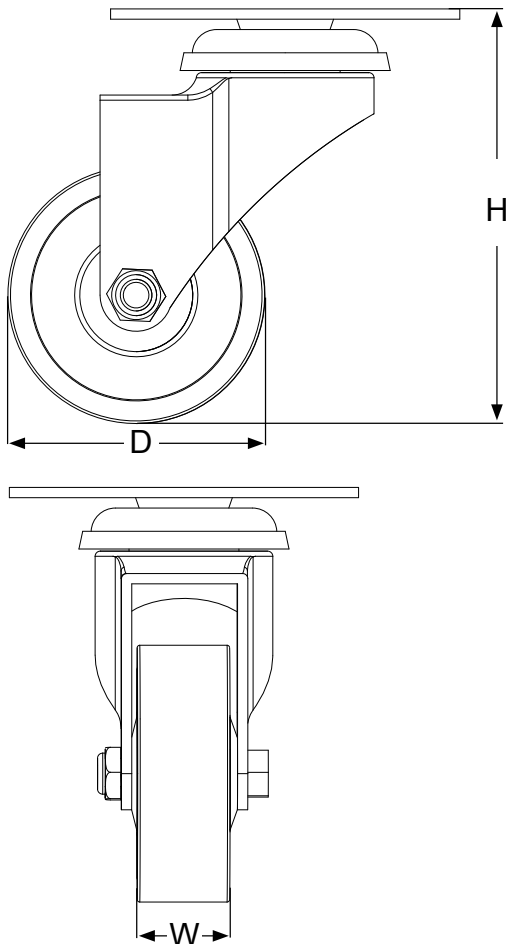
With brake # 08.12.164

Without brake # 08.12.163

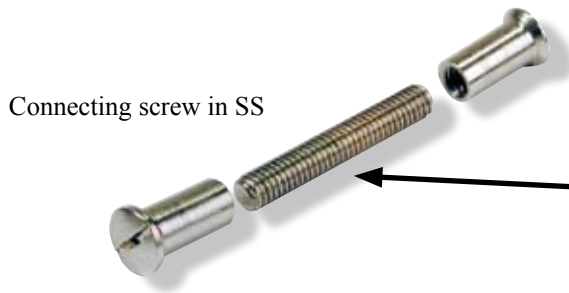
OTHER SIZES ON REQUEST



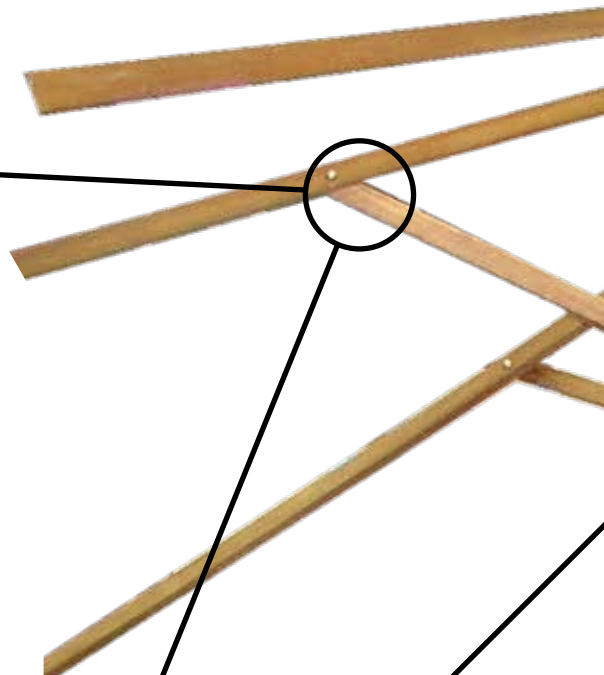
Fork castor with brake



Fork castor without brake



Connecting screw in SS



**CONNECTING SCREW IN SS F/UMBRELLA ARMS**

Material: Stainless Steel A4  
 Finish: Natural  
 Bore: Ø 5 mm  
 Application: For wood thickness 30 - 35 mm

1 set consists of:

2 Cap nuts w/slot, Countersunk, M4 x 12 mm	# 04.03.635
1 Threaded bolt M4 x 25 mm	# 04.03.640



Eye screw, w/woodthread  
Stainless Steel

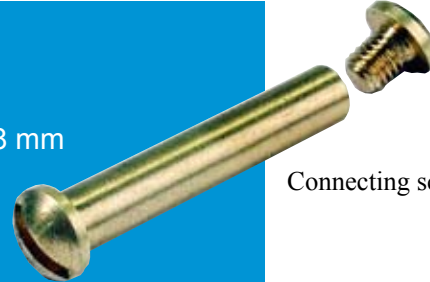
**CONNECTING SCREW IN BRASS F/UMBRELLA ARMS**

Material: Brass  
 Finish: Natural  
 Bore: Ø 6 mm  
 Application: For wood thickness 36 – 38 mm

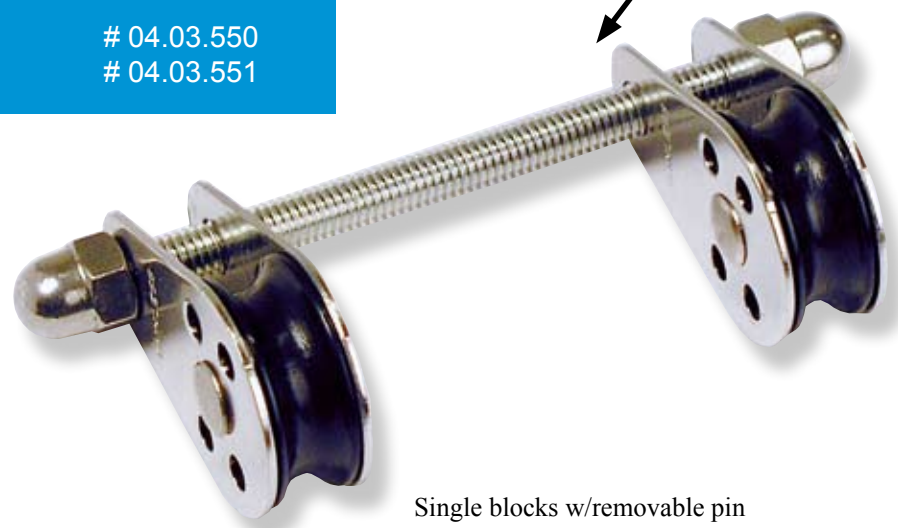
1 set consists of:

1 Dome head screw M5 x 6 mm &  
 1 Female screw w/slot, dome head, M5 x 36 mm

Item No.	male	# 04.03.550
	female	# 04.03.551



Connecting screw in Brass



Single blocks w/removable pin  
and 2 dome nuts w/threaded bolt



Single blocks w/removable pin w/bracket

Pad eye

## UMBRELLA PULLEY SYSTEM IN STAINLESS STEEL (SS)

1 complete set for one umbrella:

2 Single blocks w/removable pin SS, A4	# 04.03.610
2 Single blocks w/removable pin, w/bracket SS, A4	# 04.03.615
2 Pad eyes SS, A2	# 04.03.620
1 Eye screw, w/woodthread SS, A2	# 04.03.625
2 Dome nuts M6 SS, A4	# 04.03.630
1 Threaded bolt M6 x xx mm SS, A2	# 12.08.815 ect.

**UMBRELLA RING BRASS**

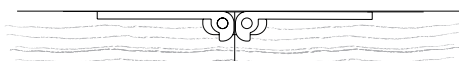
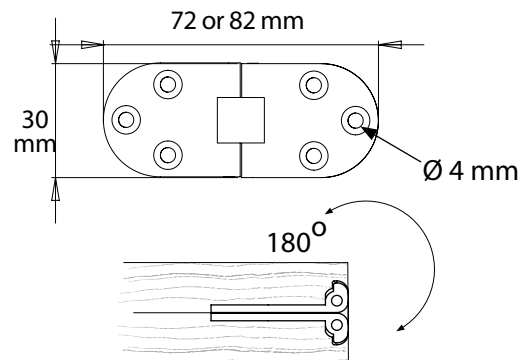
Material: Brass, Natural  
 Size: Ø 40 mm inner diameter  
 Ø 59,5 mm outer diameter  
 5,0 mm thickness # 04.03.500



**SEWING MACHINE TABLE HINGE**

Material: Brass or Stainless Steel (SS) AISI 316  
 Screw Holes: Ø 4.0 mm

Sizes	Finish	Item. No
30 x 72 x 2.0 mm	Brass Sanded	# 15.11.350
30 x 72 x 2.0 mm	Nickel Satin	# 15.11.355
30 x 72 x 2.0 mm	Bronzed	# 15.11.370
30 x 72 x 2.0 mm	SS Polished	# 15.11.390
30 x 72 x 2.0 mm	SS Brushed	# 15.11.391
30 x 80 x 2.0 mm	Brass Sanded	# 15.11.310





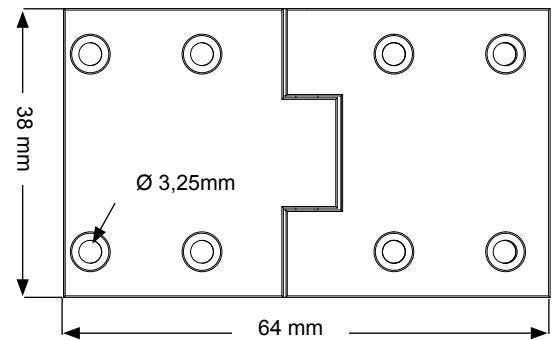
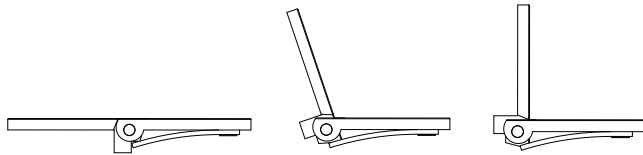
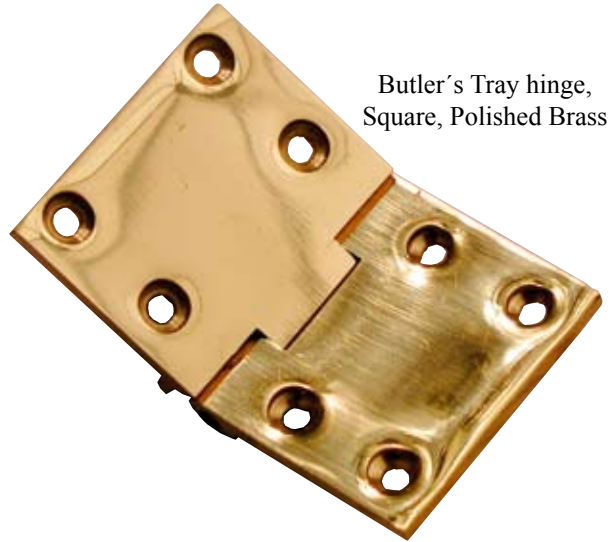
## BUTLER'S TRAY HINGE SQUARE W/STEEL SPRING

Butler's Tray hinge,  
Square, Polished Brass

Material: Brass

Screw holes:  $\varnothing$  3,25

Type:	Size	Finish	Item No.
Square	38 x 64 x 3 mm	Sanded	15.11.160
Square	38 x 64 x 3 mm	Polished	15.11.161



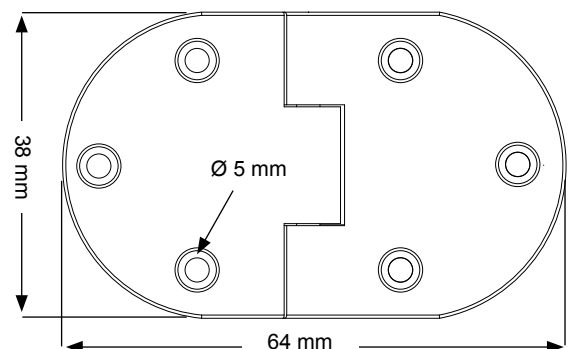
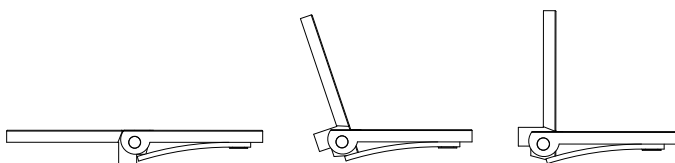
## BUTLER'S TRAY HINGE ROUND W/STEEL SPRING

Butler's Tray hinge,  
Round, Polished Brass

Material: Brass

Screw holes:  $\varnothing$  5 mm

Type:	Size	Finish	Item No.
Oval	38 x 64 x 3 mm	Sanded	15.11.165
Oval	38 x 64 x 3 mm	Polished	15.11.166



**BUTT HINGE**



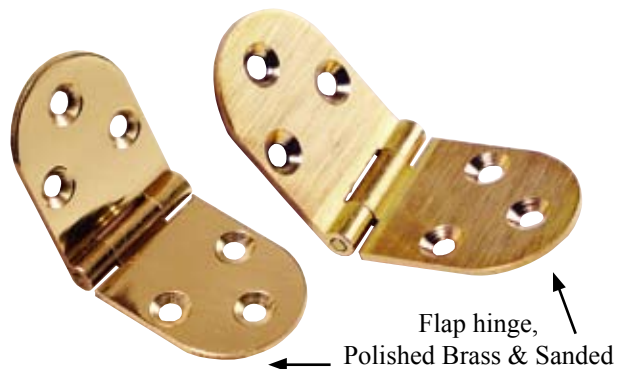
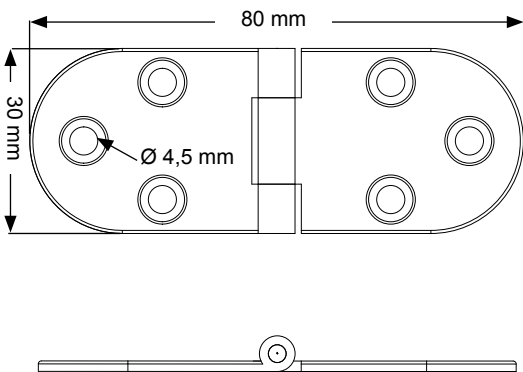
Material: Brass or Stainless Steel (SS) AISI 316			
Screw holes: Ø 3,5 mm			
Size	Material	Finish	Item No.
40 x 35 x 1,4 mm	Brass	Sanded	15.13.060
50 x 40 x 1,4 mm	Brass	Sanded	15.13.090
50 x 40 x 1,7 mm	SS	Polished	15.13.100
60 x 50 x 1,8 mm	Brass	Polished	15.13.125

**FLAP HINGE**

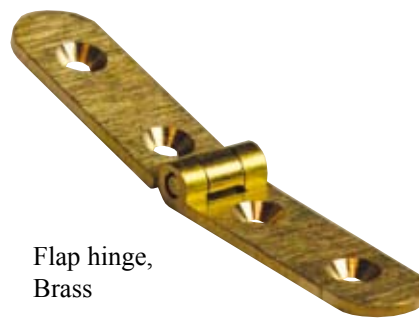
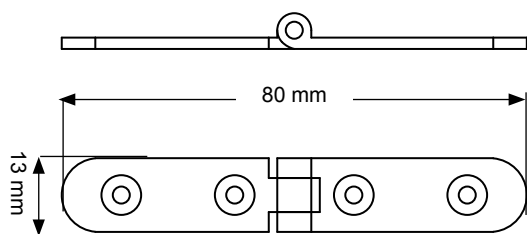


Flap hinge, Stainless Steel

Material: Brass or Stainless Steel (SS) AISI 316			
Screw holes: Ø 4,5 mm			
Size	Material	Finish	Item No.
30 x 80 x 1,75 mm	Brass	Polished	15.11.220
30 x 80 x 1,75 mm	Brass	Sanded	15.11.230
30 x 80 x 2,00 mm	SS	Polished	15.11.190



Flap hinge, Polished Brass & Sanded



Flap hinge,  
Brass

## FLAP HINGE

Material:	Brass			
Screw holes:	Ø 3 mm			
Size	Material	Finish	Item No.	
13 x 80 x 1,75 mm	Brass	Sanded	15.11.215	



Swing seat made by Alexander Rose



## SWING SEAT SPRING

Material:	Steel, Bright Zinc Plated
Size:	Ø 8 x 110 mm
Item No.	60.20.005

**CAM LOCK 1930 F/CUSHION BOX**

Material:	Cap & front of lock body:	Stainless Steel
	Rest of the body:	Zamak
	Hex nut:	Zamak
	Cam and Rosette:	Steel
	Keys:	Brass & plastic
Size:	Cylinder:	Ø 19 x 30 mm
	Hooked Cam:	50 mm from centre to edge
Specification:	90 degree turning	
	2 SISO car keys with	
	key alike code #701 (key to differ on request )	
Item No.:	#14.04.503	



Cam lock

Close up of Cam lock

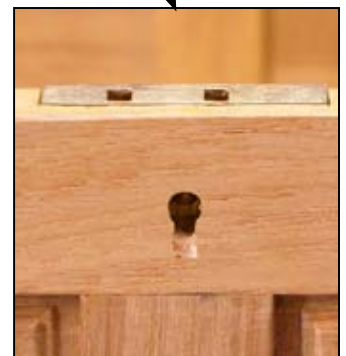


Mortise lock



**MORTISE LOCK #245 W/2 HOOKS F/CUSHION BOX**

Material:	Brass		
	Size:	Lock case:	64 x 38 mm
		Square front plate:	64 x 11 mm
		Keys:	Steel, Nickel Plated
Specification:	22 mm backset		
	2 metal keys with key alike bit		
Item No.:	14.06.020		



Close up of Mortise lock



# SPRING F/CUSHION BOX

- high quality furniture fittings



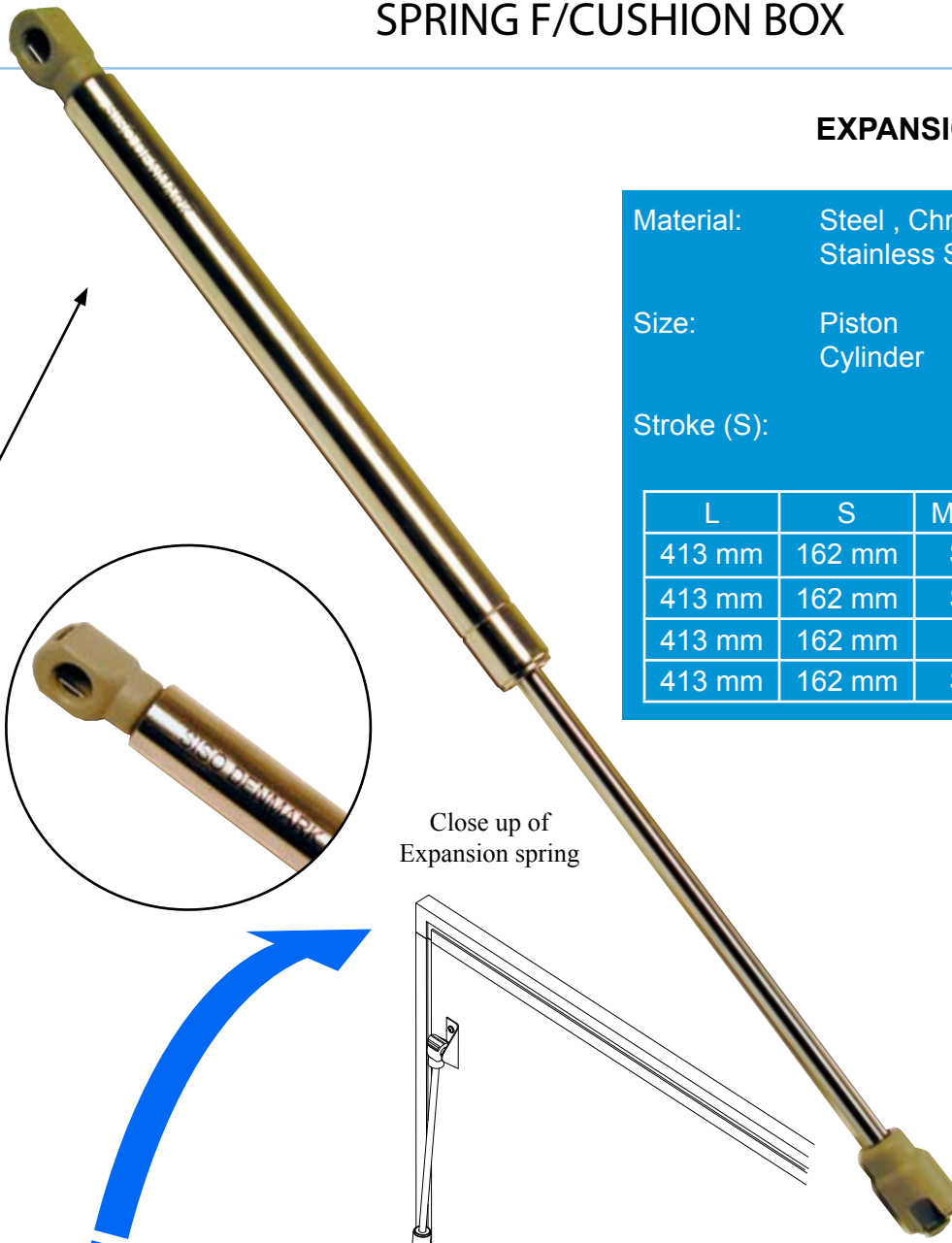
## EXPANSION SPRING

Material: Steel , Chrome Plated (CPL)  
Stainless Steel 316 (SS)

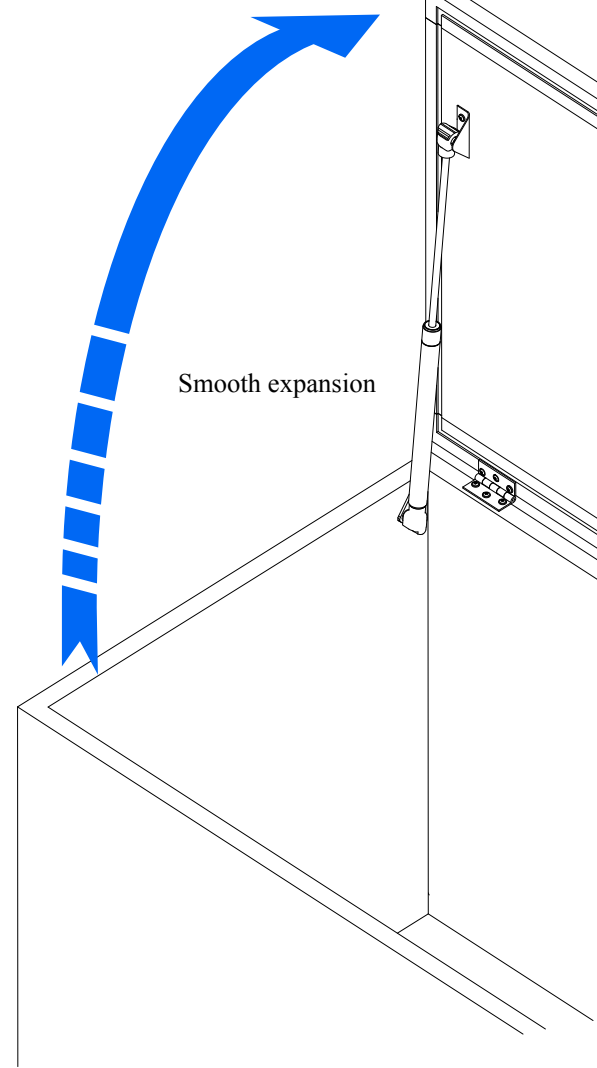
Size: Piston  $\varnothing$  8 mm  
Cylinder  $\varnothing$  18 mm

Stroke (S): 162 mm

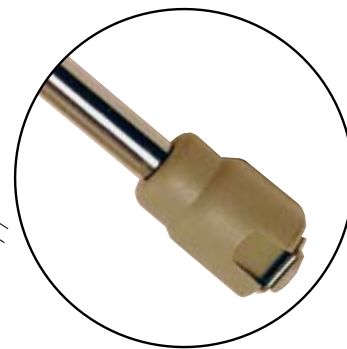
L	S	Material	Weight	Item No.
413 mm	162 mm	Steel	14 kg	# 15.11.405
413 mm	162 mm	Steel	16 kg	# 15.11.410
413 mm	162 mm	SS	16 kg	# 15.11.412
413 mm	162 mm	Steel	18 kg	# 15.11.415



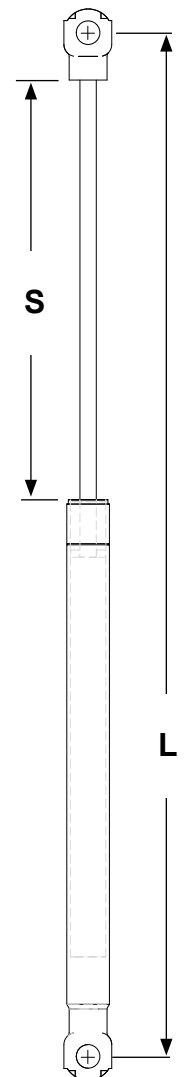
Close up of Expansion spring



Smooth expansion



Close up of Expansion spring



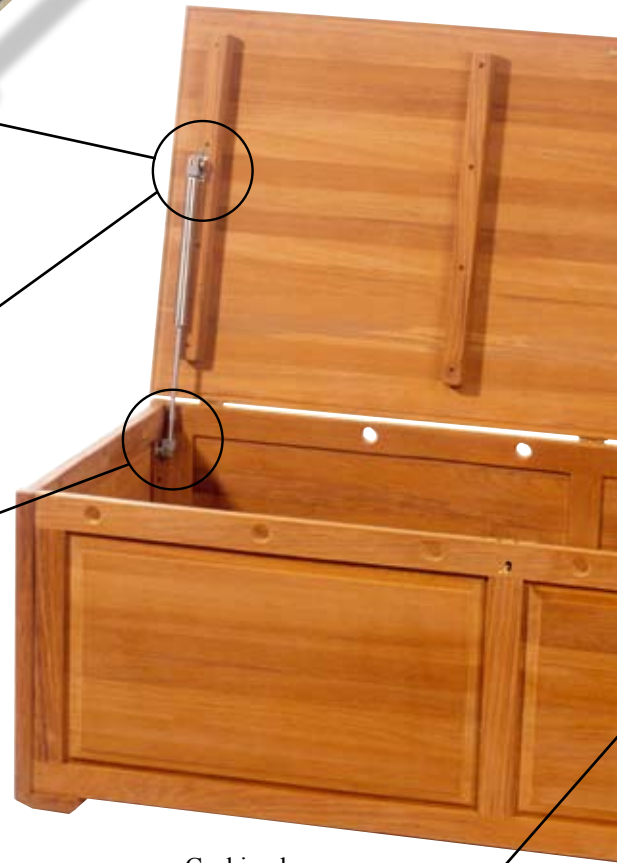
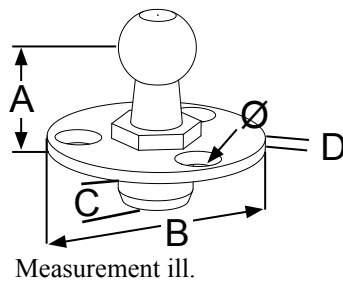
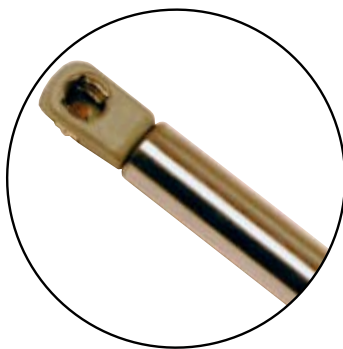
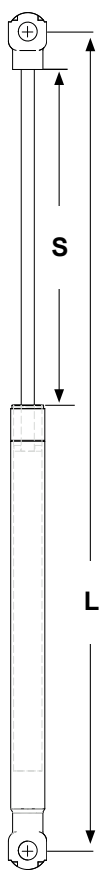
**DAMPING SPRING**

Material: Steel , Chrome Plated (CPL)  
Stainless Steel 316 (SS)

Size: Piston Ø 8 mm  
Cylinder Ø 18 mm

Stroke (S): 162 mm

L	S	Material	Force	Item No.
413 mm	162 mm	Steel	14 kg	# 15.11.450
413 mm	162 mm	SS	On request	# 15.11.451

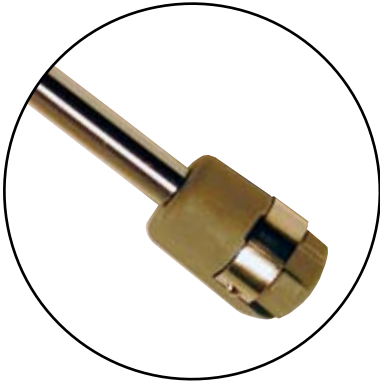


**ROUND MOUNTING BRACKET**

Material: Steel, Bright Zinc Plated (BZP)  
See illustration for understanding of measurement scheme

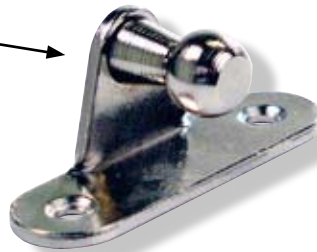
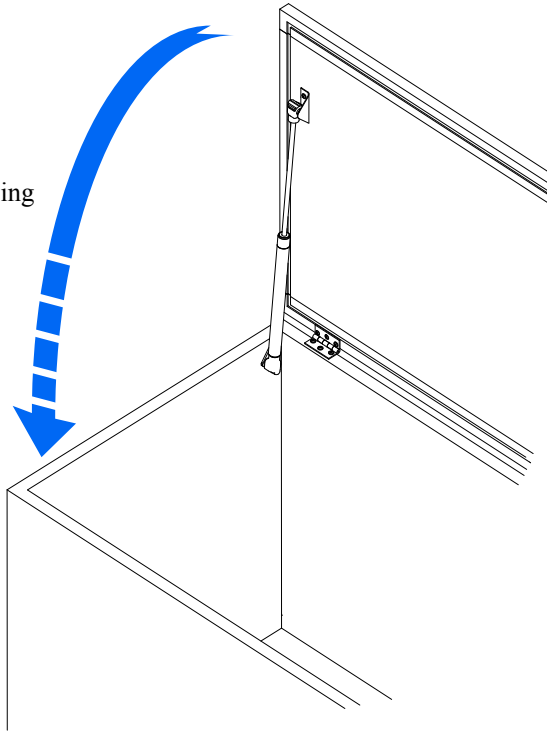
A	B	C	D	Ø	Finish	Item No.
14 mm	28 mm	7 x Ø 9,7 mm	1,5 mm	4,5 mm	BZP	#15.11.455



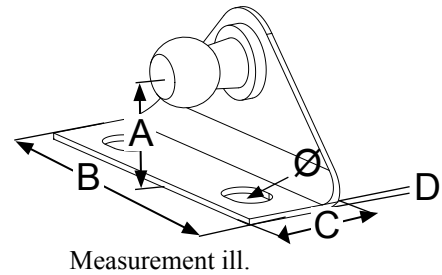


Close up of Damping spring

Smooth closing



L-mounting bracket



Measurement ill.

## L-MOUNTING BRACKETS

Material: Steel, Bright Zinc Plated (BZP)  
See illustration for understanding of measurement scheme

A	B	C	D	Ø	Finish	Item No.
14,5 mm	46 mm	14 mm	2 mm	Ø 4 mm	BZP	# 15.11.456
16,5 mm	46 mm	14 mm	3 mm	Ø 4,5 mm	BZP	# 15.11.457

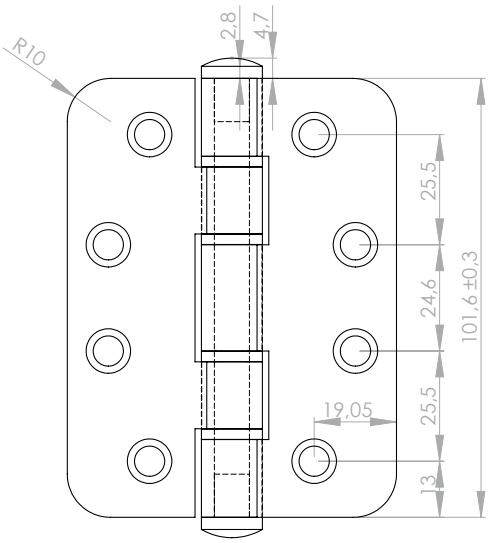
## STAINLESS STEEL BRACKETS

Material: Stainless Steel, (SS) AISI 316  
See illustration for understanding of measurement scheme

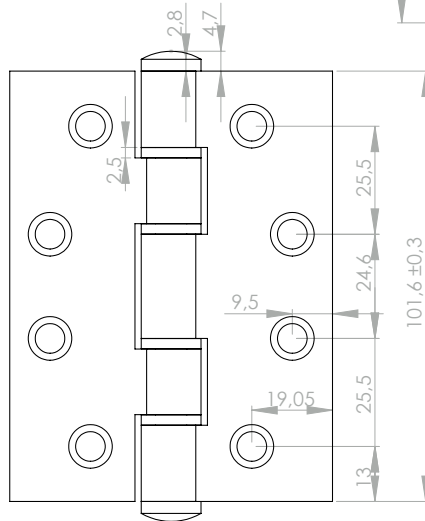
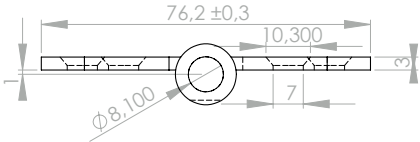
A	B	C	D	Ø	Finish	Item No.	Type
18 mm	56 mm	18 mm	2 mm	9 x 6,8 mm	SS	# 15.11.460	L
14 mm	56 mm	40 mm	2 mm	9 x 6,8 mm	SS	# 15.11.461	Flat



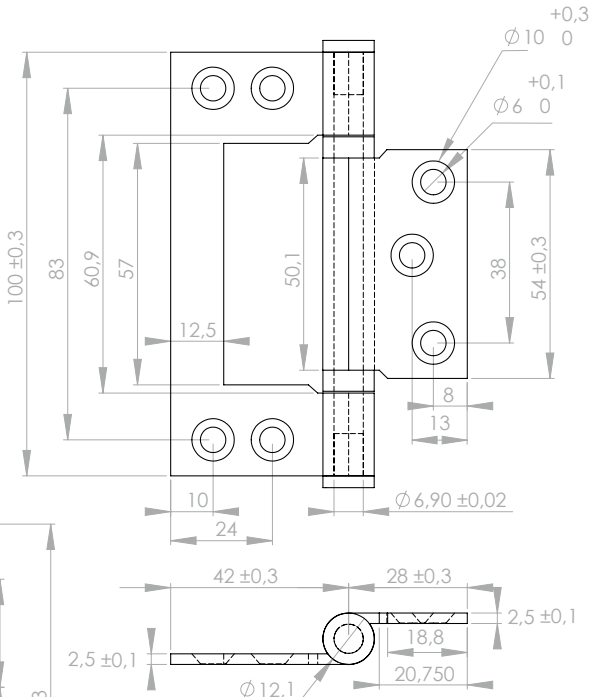
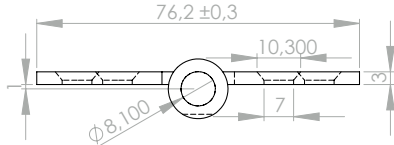
SS mounting bracket  
Flat



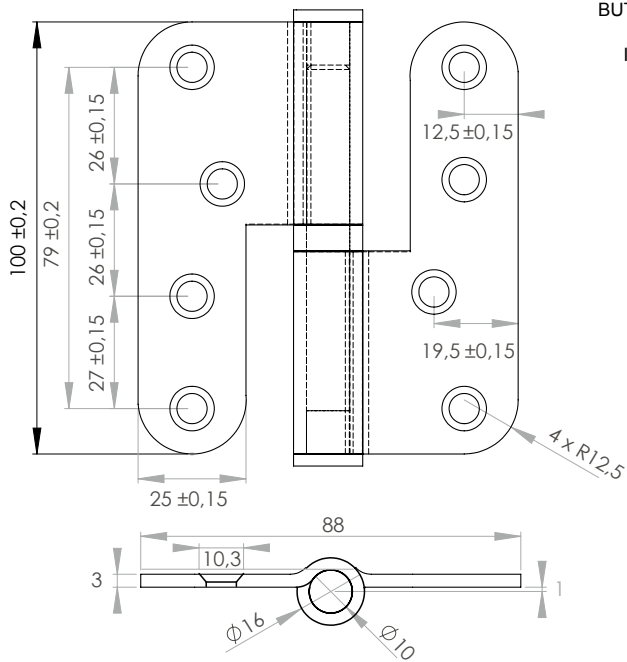
**BUTT HINGE "ROUND"**  
102 X 76 X 3 MM  
Item No. 15.20.116



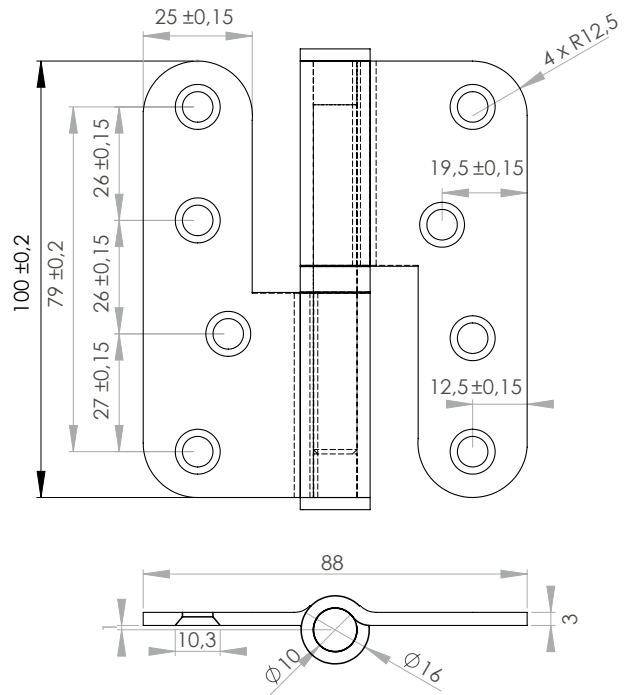
**BUTT HINGE "SQUARE"**  
102 X 76 X 3 MM  
Item No. 15.20.115



**BUTT HINGE "FLUSH"**  
100 X 70 X 2,5 MM  
Item No. 15.20.100



**BUTT HINGE "LIFT OFF" LEFT**  
100 X 88 X 3 MM  
Item No. 15.20.105



**BUTT HINGE "LIFT OFF" RIGHT**  
100 X 88 X 3 MM  
Item No. 15.20.106



# HEAVY DUTY CUSHION BOX HINGES SS-304

- high quality furniture fittings

**SISO**  
DENMARK



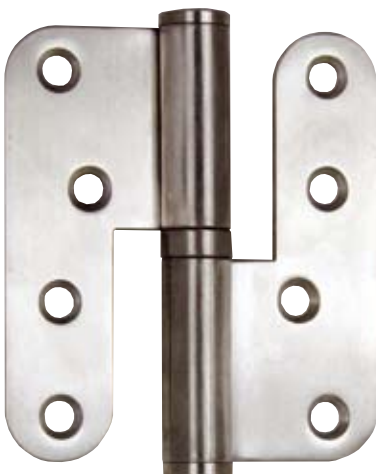
**BUTT HINGE "ROUND"**  
102 X 76 X 3 MM  
Item No. 15.20.116  
Incl. CSK SS-304 screws  
Ø5 x 30 mm



**BUTT HINGE "FLUSH"**  
100 X 70 X 2,5 MM  
Item No. 15.20.100  
Incl. CSK SS-304 screws  
Ø5 x 30 mm



**BUTT HINGE "SQUARE"**  
102 X 76 X 3 MM  
Item No. 15.20.115  
Incl. CSK SS-304 screws  
Ø5 x 30 mm



**BUTT HINGE "LIFT OFF" LEFT**  
100 X 88 X 3 MM  
Item No. 15.20.105  
Incl. CSK SS-304 screws  
Ø5 x 30 mm



**BUTT HINGE "LIFT OFF" RIGHT**  
100 X 88 X 3 MM  
Item No. 15.20.106  
Incl. CSK SS-304 screws  
Ø5 x 30 mm



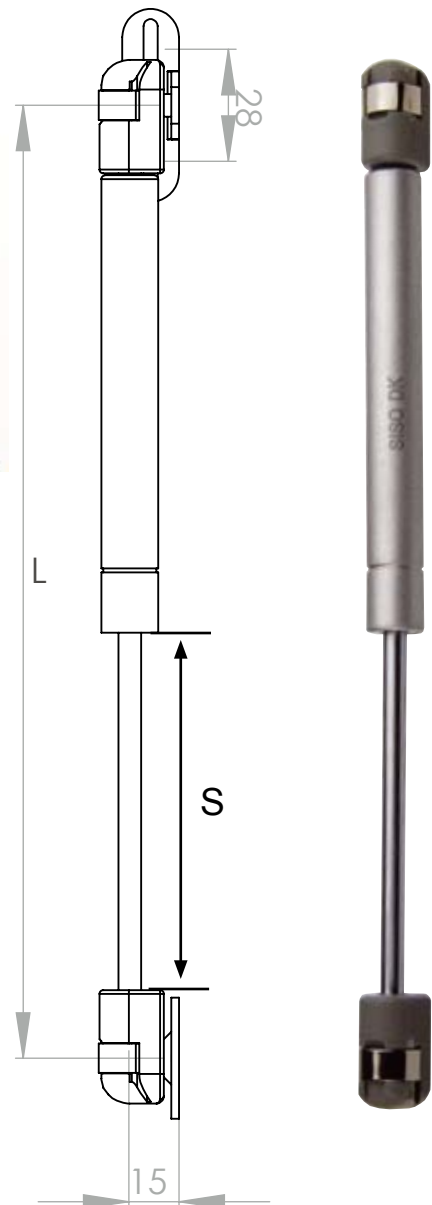
# 15.11.458



# 15.11.462



# 15.11.454



**PNEUMATIC EXPANSION SPRING**

Material: Steel , Silver /Nickel plated

Size: Piston Ø 6 mm  
Cylinder Ø 15 mm

Stroke (S): 92 mm

L	S	Material	Force	Item No.
247 mm	92 mm	Steel	60N	# 15.11.439
247 mm	92 mm	Steel	80N	# 15.11.440
247 mm	92 mm	Steel	100N	# 15.11.441
247 mm	92 mm	Steel	120N	# 15.11.442

Mounting bracket to be ordered separately. See next page

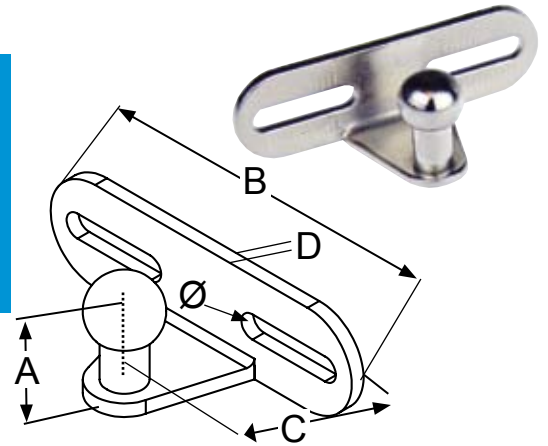
SGS test: 60.000 cycles

## L-MOUNTING BRACKET

Material: Steel, Nickel Plated (NPL)

A	B	C	D	Ø	Item No.
16,5 mm	51 mm	15 mm	2 mm	Ø 4 x 17 mm	# 15.11.458

Incl. 2 Nickel plated wood screws,PZD, Ø 3,5 x 16 mm

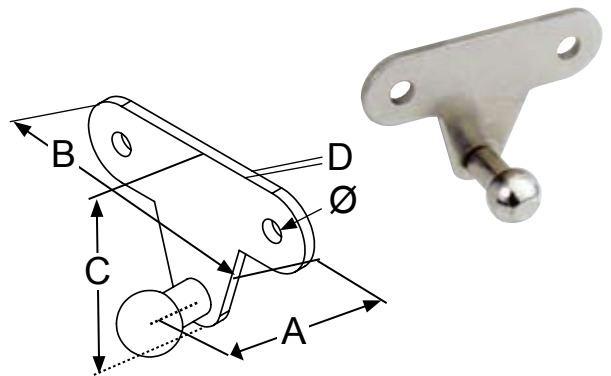


## FLAT T-SHAPED MOUNTING BRACKET

Material: Steel, Nickel Plated (NPL)

A	B	C	D	Ø	Item No.
14 mm	46 mm	31,5 mm	2 mm	4,5 mm	# 15.11.462

Incl. 2 Nickel plated wood screws,PZD, Ø 3,5 x 16 mm

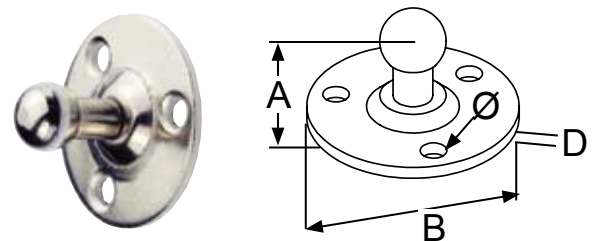


## ROUND MOUNTING BRACKET

Material: Steel, Nickel Plated (NPL)

A	B	D	Ø	Item No.
16 mm	31 mm	2 mm	4 mm	#15.11.454

Incl. 3 Nickel plated wood screws,PZD, Ø 3,5 x 16 mm



## KNOCK DOWN »SYSTEM S«

Is an improvement of the conventional eccentric cam fittings!

Instead of an eccentric cam house in zamak we have developed a steel barrel with a pointed grub screw, which is being wedged below the neck of the dowel ensuring a permanent grip

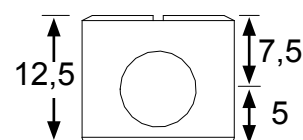
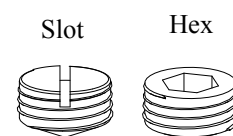
Replaces all 15mm diameter eccentric cam fittings without change of drilling, as the barrel requires the normal 34mm bore distance from the edge. Can also be supplied for 24mm and 44mm distance.

All parts are made of high quality steel or stainless steel for outdoor use. The material warrants unsurpassed anchoring properties and eliminates the risk of breakage of the fitting.

»SYSTEM S« is available for 16 & 19 mm panels.

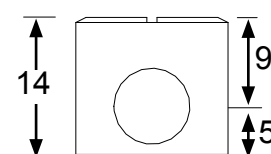
### »SYSTEM S« 1512 – FOR 16 MM PANELS

Material:	Steel or Stainless Steel			
Size:	Cylinder: Ø 15 x 12,5 mm			
	Grub screw: M10 x 6 mm			
Finish:	Bronze Plated (BRZ), Bright Zinc Plated (BZP), Yellow Zinc Plated (YZP), or Stainless Steel (SS) Natural			
	BRZ	BZP	YZP	SS Natural
Cylinder	11.03.500	11.03.505	11.03.504	11.03.705
Grub screw w/slot	11.03.490	11.03.494	11.03.493	on request
Grub screw w/hex	on request	on request	on request	11.03.715



### »SYSTEM S« 1514 – FOR 19 MM PANELS

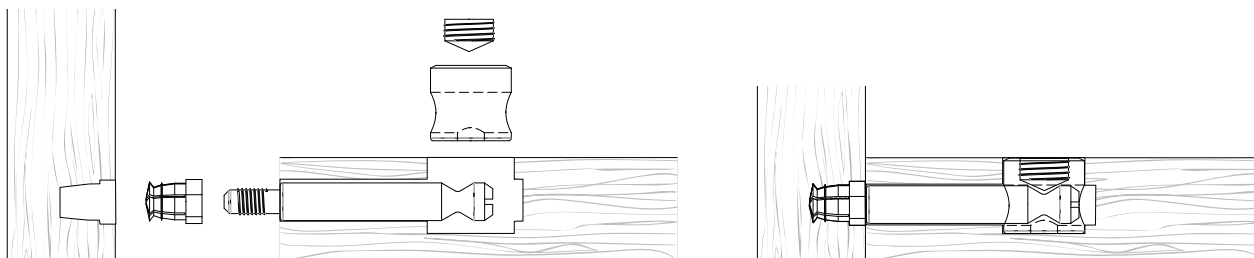
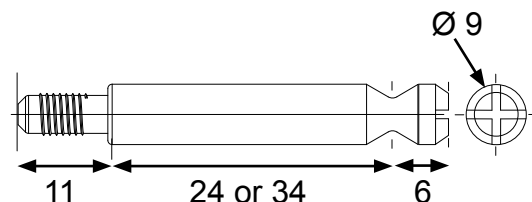
Material:	Steel or Stainless Steel			
Size:	Cylinder: Ø 15 x 14 mm			
	Grub screw: M10 x 7,5 mm			
Finish:	Bronze Plated (BRZ), Bright Zinc Plated (BZP), Yellow Zinc Plated (YZP) or Stainless Steel (SS) Natural			
	BRZ	BZP	YZP	SS Natural
Cylinder	11.03.516	11.03.582	11.03.580	11.03.700
Grub screw w/slot	11.03.521	11.03.592	11.03.590	on request
Grub screw w/hex	on request	on request	on request	11.03.710





## STEEL DOWELS FOR »SYSTEM S«

Material:	Steel or Stainless Steel		
Finish:	Steel, Bright Zinc Plated (BZP) & Stainless Steel (SS), Natural		
Type:	Metric thread with cross cut		
Size	Material	Finish	Item No
M6 x 24 mm	Steel	BZP	# 11.03.524
M6 x 34 mm	Steel	BZP	# 11.03.525
M6 x 34 mm	SS	Natural	# 11.03.730



## KNOCK IN BUSHING »EXPANSION«

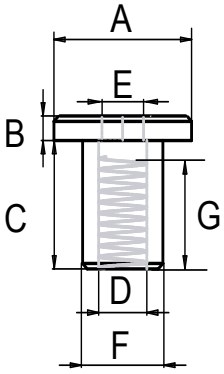
Material:	Brass, Natural		
Type:	Knock in.	Without plastic ball or with ball for extra expansion	
A	B	C	Type: Item No.
M6	11,5 mm	Ø 8 mm	No ball # 12.10.340
M6	11,5 mm	Ø 8 mm	With ball # 12.10.345
Pulling power:	100 Kg.		



## ALTERNATIVE BUSHINGS FOR »SYSTEM S«

SEE PAGE 32 TO PAGE 35

# BRASS COMBIFIX HEADS

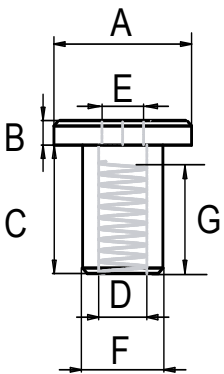


## BRASS COMBIFIX HEAD #1007 M6 W/OPEN HEX HOLE

Material: Brass  
 Finish: Brass, Natural  
 Type: Flat head with 5 mm open hex hole



A	B	C	D	E	F	G	Item No.
Ø 12 mm	2 mm	10 mm	M6	5 mm	Ø 8 mm	7 mm	# 12.09.090

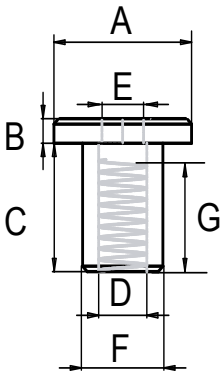


## BRASS COMBIFIX HEAD #1011 M6 W/OPEN HEX HOLE

Material: Brass  
 Finish: Brass, Natural  
 Type: Flat head with 5 mm open hex hole



A	B	C	D	E	F	G	Item No.
Ø 15 mm	2,25 mm	9 mm	M6	5 mm	Ø 9 mm	7 mm	# 12.09.130



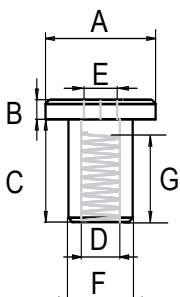
## BRASS COMBIFIX HEAD #1011 M6 W/CLOSED HEX HOLE

Material: Brass  
 Finish: Brass Plated (BPL) or Nickel Plated (NPL)  
 Type: Flat head with 5 mm closed hex hole



A	B	C	D	E	F	G	NPL	BPL
Ø 15 mm	2 mm	10 mm	M6	5 mm	Ø 9 mm	7 mm	# 12.09.132	# 12.09.131

## BRASS COMBIFIX HEAD #1012 M6 W/OPEN HEX HOLE



Material: Brass or Stainless Steel (SS) AISI 304  
 Finish: Brass, Natural and SS, Natural  
 Type: Flat head with 4 or 5 mm open hex hole



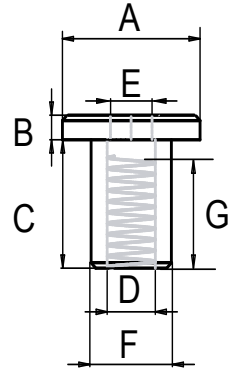
A	B	C	D	E	F	G	SS	Brass
Ø 15 mm	2,25 mm	11,75 mm	M6	5 mm	Ø 9 mm	8,5 mm	on request	# 12.09.170
Ø 15 mm	2,25 mm	11,75 mm	M6	4 mm	Ø 9 mm	7 mm	# 12.09.175	on request

## BRASS COMBIFIX HEAD #1012 M6 W/CLOSED HEX HOLE

Material: Brass  
 Finish: Brass Plated (BPL) or Nickel Plated (NPL)  
 Type: Flat head with 5 mm closed hex hole



A	B	C	D	E	F	G	NPL	BPL
Ø 15 mm	2 mm	12 mm	M6	5 mm	Ø 9 mm	7 mm	# 12.09.174	# 12.09.173

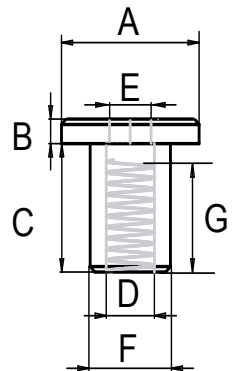


## BRASS COMBIFIX HEAD #1013 M6 W/OPEN HEX HOLE

Material: Brass  
 Finish: Brass, Natural  
 Type: Flat head with 5 mm open hex hole



A	B	C	D	E	F	G	SS	Brass
Ø 15 mm	2,25 mm	18 mm	M6	5 mm	Ø 9 mm	12 mm	# 12.09.208	# 12.09.210

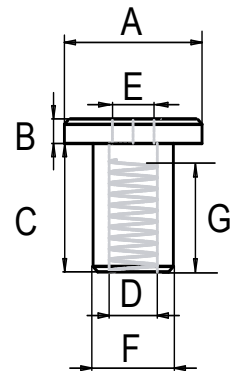


## BRASS COMBIFIX HEAD #1013 M6 W/CLOSED HEX HOLE

Material: Brass  
 Finish: Brass Plated (BPL) or Nickel Plated (NPL)  
 Type: Flat head with 5 mm closed hex hole



A	B	C	D	E	F	G	NPL	BPL
Ø 15 mm	2 mm	18 mm	M6	5 mm	Ø 9 mm	13 mm	# 12.09.213	# 12.09.212

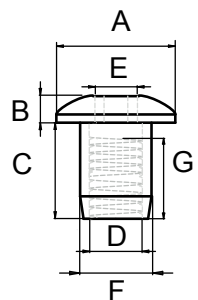


## BRASS COMBIFIX HEAD #1015 M6 W/OPEN HEX HOLE

Material: Brass or Stainless Steel (SS) AISI 304  
 Finish: Brass, Natural and SS, Natural  
 Type: Dome head with 5 mm open hex hole

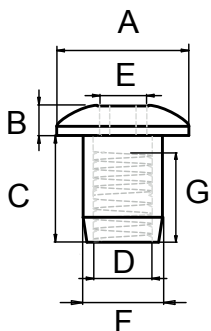


A	B	C	D	E	F	G	SS	Brass
Ø 13 mm	2,50 mm	10,50 mm	M6	5 mm	Ø 8 mm	9 mm	# 12.09.265	# 12.09.250



# BRASS COMBIFIX HEADS

## BRASS COMBIFIX HEAD #1015 M6 W/CLOSED HEX HOLE

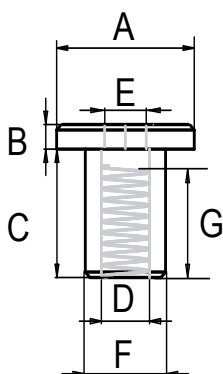


Material: Brass  
 Finish: Brass Plated (BPL) or Nickel Plated (NPL)  
 Type: Dome head with 5 mm closed hex hole



A	B	C	D	E	F	G	NPL	BPL
Ø 13 mm	3 mm	10 mm	M6	5 mm	Ø 8 mm	6 mm	# 12.09.252	# 12.09.251

## BRASS COMBIFIX HEAD #1031 M6 W/OPEN HEX HOLE

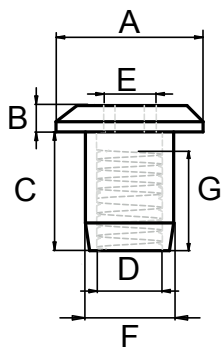


Material: Brass  
 Finish: Brass, Natural  
 Type: Flat head with 5 mm open hex hole



A	B	C	D	E	F	G	Item No.
Ø 19 mm	2 mm	12 mm	M6	5 mm	Ø 9 mm	10 mm	# 12.09.410

## BRASS COMBIFIX HEAD #1042 M6 W/OPEN HEX HOLE

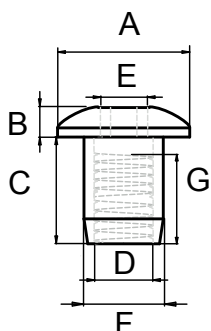


Material: Brass  
 Finish: Brass, Natural  
 Type: Flat head with 5 mm open hex hole



A	B	C	D	E	F	G	Item No.
Ø 19 mm	2 mm	8 mm	M6	5 mm	Ø 9 mm	6,5 mm	# 12.09.490

## BRASS COMBIFIX HEAD #1046 M6 W/OPEN HEX HOLE



Material: Brass  
 Finish: Brass, Natural  
 Type: Dome head with 5 mm open hex hole



A	B	C	D	E	F	G	Item No.
Ø 19 mm	3 mm	10 mm	M6	5 mm	Ø 9 mm	7,5 mm	# 12.09.530

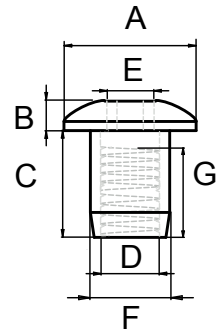


## BRASS COMBIFIX HEAD #1060 M8 W/OPEN HEX HOLE

Material: Brass  
 Finish: Brass, Natural  
 Type: Dome head with 5 mm open hex hole



A	B	C	D	E	F	G	Item No.
Ø 17 mm	2,50 mm	11,5 mm	M8	5 mm	Ø 10 mm	8 mm	# 12.09.570

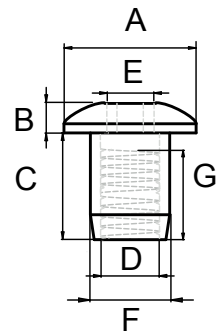


## BRASS COMBIFIX HEAD #1062 M8 W/OPEN HEX HOLE

Material: Brass  
 Finish: Brass, Natural  
 Type: Dome head with 5 mm open hex hole



A	B	C	D	E	F	G	Item No.
Ø 30 mm	4 mm	7 mm	M8	5 mm	Ø 12 mm	6 mm	# 12.09.610

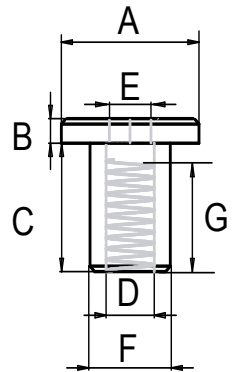


## STEEL COMBIFIX HEAD # F-563 M6 W/CLOSED HEX HOLE

Material: Steel  
 Finish: Brass Plated (BPL) or Yellow Zinc Plated 12 micron (YZP)  
 Type: Flat head with 4 or 5 mm closed hex hole



A	B	C	D	E	F	G	BPL	YZP
Ø 15 mm	2 mm	12 mm	M6	4 mm	Ø 9 mm	7 mm	# 12.09.750	# 12.09.696
Ø 15 mm	2 mm	12 mm	M6	5 mm	Ø 9 mm	7 mm	# 12.09.700	on request
Ø 15 mm	2 mm	18 mm	M6	4 mm	Ø 9 mm	13 mm	on request	# 12.09.800
Ø 15 mm	2 mm	18 mm	M6	5 mm	Ø 9 mm	13 mm	# 12.09.802	on request

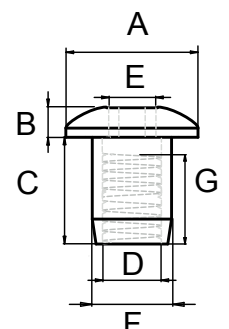


## STEEL COMBIFIX HEAD # D-564 M6 W/CLOSED HEX HOLE

Material: Steel  
 Finish: Brass Plated (BPL) or Nickel Plated (NPL)  
 Type: Dome head with 5 mm closed hex hole

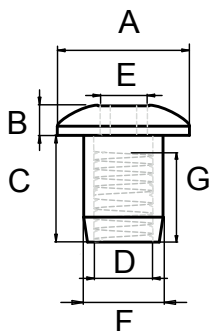


A	B	C	D	E	F	G	NPL	BPL
Ø 15 mm	2,5 mm	12 mm	M6	5 mm	Ø 9 mm	7 mm	# 12.09.829	on request
Ø 15 mm	2,5 mm	15 mm	M6	5 mm	Ø 9 mm	10 mm	on request	# 12.09.864



# STEEL COMBIFIX HEADS

## STEEL COMBIFIX HEAD # D-597 M6 W/CLOSED HEX HOLE



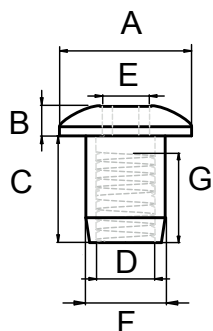
**Material:** Steel  
**Finish:** Brass Plated (BPL) or Black oxidized (BLK)  
 (other finishes on request)



**Type:** Dome head with 5 mm closed hex hole

A	B	C	D	E	F	G	BPL	BLK
Ø 20 mm	3 mm	18 mm	M6	5 mm	Ø 9 mm	12 mm	# 12.09.937	# 12.09.935

## STEEL COMBIFIX HEAD # D-637 M6 W/CLOSED HEX HOLE



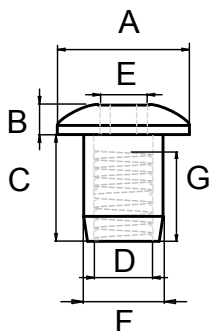
**Material:** Steel  
**Finish:** Yellow Zinc Plated 2-3 micron (YZP)  
 (other finishes on request)



**Type:** Dome head with 5 mm Closed hex hole

A	B	C	D	E	F	G	YZP
Ø 15 mm	4 mm	8 mm	M6	5 mm	Ø 8 mm	5 mm	# 12.09.815

## STEEL COMBIFIX HEAD # D-595 M8 W/CLOSED HEX HOLE



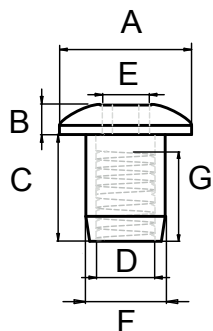
**Material:** Steel  
**Finish:** Brass Plated (BPL), Black oxidized (BLK)  
 Bronze Plated (BRZ) or Nickel Plated (NPL)



**Type:** Dome head with 5 mm closed hex hole

A	B	C	D	E	F	G	BPL	BLK
Ø 20 mm	3 mm	16 mm	M8	5 mm	Ø 10 mm	12 mm	# 12.09.930	# 12.09.932
							NPL	BRZ
Ø 20 mm	3 mm	16 mm	M8	5 mm	Ø 10 mm	12 mm	# 12.09.933	# 12.09.934

## STEEL COMBIFIX HEAD # D-602 M10 W/CLOSED HEX HOLE



**Material:** Steel  
**Finish:** Nickel Plated (NPL)  
 (other finishes on request)



**Type:** Dome head with 5 mm closed hex hole

A	B	C	D	E	F	G	NPL
Ø 20 mm	4 mm	13 mm	M10	5 mm	Ø 13 mm	9 mm	# 12.09.950

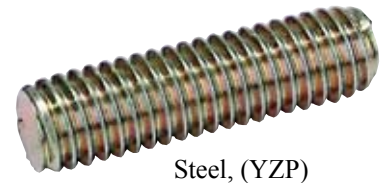
## THREADED BOLTS

Material: Steel, Yellow Zinc Plated  
(other finishes on request)  
Stainless Steel, Natural  
Brass, Natural

Thread: M6 or M8

Lengths: From 18 up to 1000 mm

Item No. 12.08.123 etc.



Steel, (YZP)

## FIFTEEN SCREWS

Material: Steel, Yellow Zinc Plated  
(other finishes on request)  
Stainless Steel AISI 316  
Brass, Natural

Head size: Ø 15 x 2,5 mm

Hex size: 4 mm

Thread: M6 (M8 on request)

Lengths: 25/30/35/40/45/50/60/70/80/90/100 & 120 mm

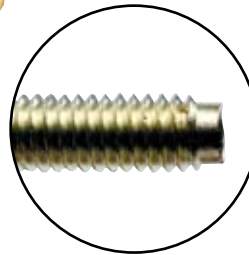
Type: With 3mm point or conical (see illustration)

Item No. 12.00.800 etc.



Stainless Steel  
AISI 316

Steel, (YZP)



Conical  
Brass, Natural



Point

## FIFTEEN WOOD SCREWS

Material: Steel, Yellow Zinc Plated  
(other finishes on request)

Head size: Ø 15 x 2,5 mm

Hex size: 4 mm

Thread: Ø 6,3 mm

Lengths: 40/50/60 and 70 mm (other sizes on request)

Type: With point (see illustration)

Item No. # 12.01.340 etc.



Stainless Steel  
AISI 316

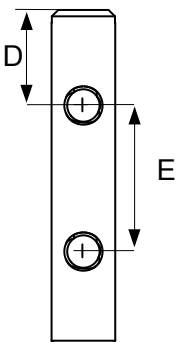
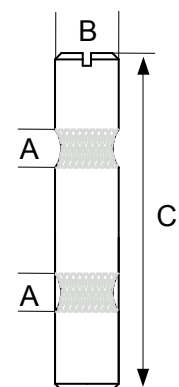
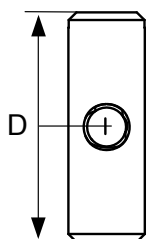
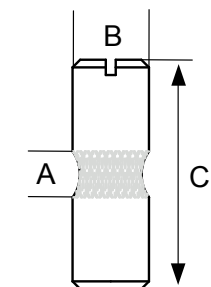
Steel, (YZP)

Point

# CROSS DOWELS

## CROSS DOWELS

Bright Zinc Plated



Material: Steel, Brass or Stainless Steel

Stainless Steel

Type: With slot

Finish: Steel, Yellow Zinc Plated (YZP)  
Bright Zinc Plated (BZP), Brass, Natural  
Stainless Steel, (SS), Natural

Yellow Zinc Plated

Brass



D\* Distance from centre of hole to edge.

A	B	C	D*	Material	Finish	Item No.
M6	Ø 10 mm	13 mm	8/5 mm	Steel	Plain	# 12.07.006
M6	Ø 10 mm	14 mm	8/6 mm	Steel	BZP/YZP	# 12.07.030/31
M6	Ø 10 mm	14 mm	8/6 mm	Brass	Natural	# 12.07.041
M6	Ø 10 mm	14 mm	8/6 mm	SS	Natural	# 12.07.043
M6	Ø 10 mm	16 mm	10/6 mm	Steel	YZP	# 12.07.044
M6	Ø 10 mm	18 mm	12/6 mm	Steel	YZP/BZP	# 12.07.327/328
M6	Ø 10 mm	30 mm	20/10 mm	Steel	BZP	# 12.07.350
M6	Ø 10 mm	20 mm	10/10 mm	Steel	BZP/YZP	# 12.07.070/071
M6	Ø 10 mm	25 mm	12,5/12,5 mm	Steel	BZP	# 12.07.110
M6	Ø 10 mm	30 mm	15/15 mm	Steel	BZP	# 12.07.150
M6	Ø 10 mm	40 mm	20/20 mm	Steel	BZP	# 12.07.230
M6	Ø 10 mm	45 mm	22,5/22,5 mm	Steel	BZP	# 12.07.270
M8	Ø 12 mm	20 mm	10/10 mm	Steel	YZP	# 12.07.287
M8	Ø 12 mm	25 mm	12,5/12,5 mm	Steel	BZP	# 12.07.288
M8	Ø 12 mm	30 mm	15/15 mm	Steel	YZP	# 12.07.289
M8	Ø 12 mm	50 mm	25/25 mm	Steel	BZP/YZP	# 12.07.291/92
M8	Ø 12 mm	60 mm	30/30 mm	Steel	BZP	# 12.07.325

## CROSS DOWEL NO. 3250 W/2 HOLES

Material: Steel

Type: With slot

Finish: Steel, Bright Zinc Plated (BZP)

D\* Distance from centre of hole to edge.

Bright Zinc Plated



A	B	C	D*	E	Material	Finish	Item No.
M6	Ø 10 mm	60 mm	14 mm	c.c. 32 mm	Steel	BZP	# 12.07.465
M6	Ø 10 mm	60 mm	10 mm	c.c. 40 mm	Steel	BZP	# 12.07.500
M6	Ø 10 mm	82 mm	9 mm	c.c. 64 mm	Steel	BZP	# 12.07.570



## MUSHROOM SCREWS

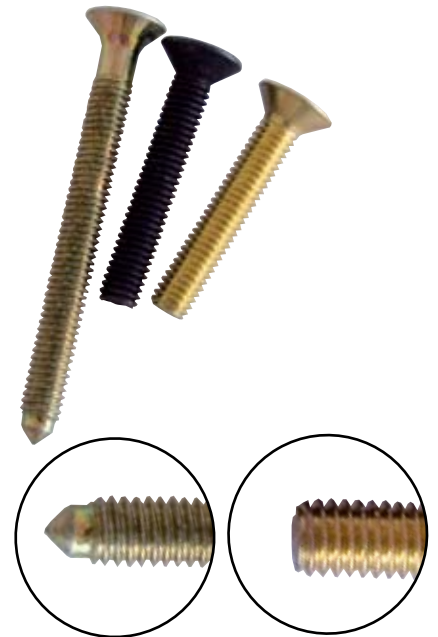
Material:	Steel, Yellow Zinc or Black Oxidized Other materials & finishes on request
Head size:	Ø 15 mm
Hex size:	4 mm (5 mm on request)
Thread:	M6 (M8 on request)
Lengths:	12/16/20/23/30/32/38/45/50/60/63/90 mm (other lengths on request)
Type:	Blunt (Point on request)
Item No.	# 12.03.110 etc.



Blunt

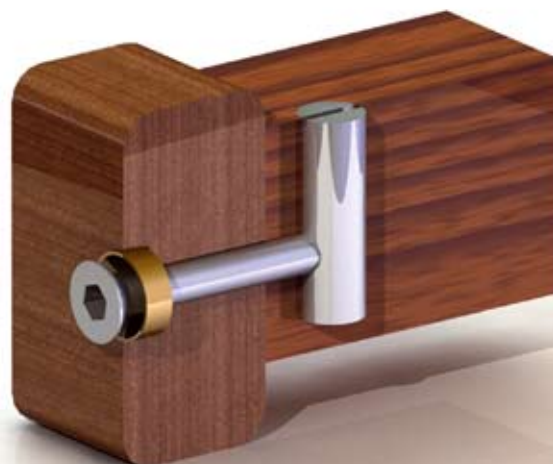
## INSEX SCREWS

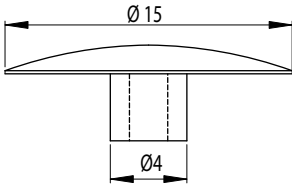
Material:	Steel, Yellow Zinc, Brass Plated or Black Oxidized Stainless Steel, (SS), Natural Other materials & finishes on request
Head size:	Ø 12 x 4 mm (counter sunk)
Hex size:	4 mm
Thread:	M6 (M8 and M10 on request)
Lengths:	32/35/38/44/50/51/57/60/63/76/90/100/120/126 mm (other lengths on request)
Type:	Pointed or blunt (see illustration)
Item No.	# 12.04.004 etc.



Point

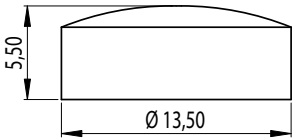
Blunt





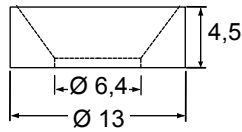
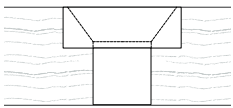
**INSEX COVER CAPS**

Material: Plastic, black, white, beige (other colours on request)  
 Head size: Ø 15mm, Dome  
 Pin: Ø 4,2 mm for 4 mm hex hole  
 Item No. 12.05.005 etc.



**INSEX WOOD PLUGS**

Material: Teak wood (other wood types on request)  
 Size: Ø 13,5 x 5,5 m  
 Item No. 12.05.020

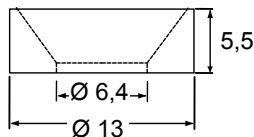


**INSEX COLLARS - BRASS**

Material: Brass  
 Size: Ø 13 x 4,5 mm x M6  
 Item No. Brass Natural # 12.05.036  
 Brass Black Oxidized # 12.05.039  
 Brass Nickel Plated # 12.05.038

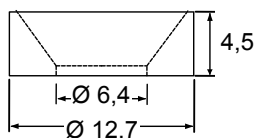


**INSEX COLLARS - STEEL**



Material: Steel, Yellow Zinc  
 Size: Ø 13 x 5,5 mm x M6  
 Item No. # 12.05.034

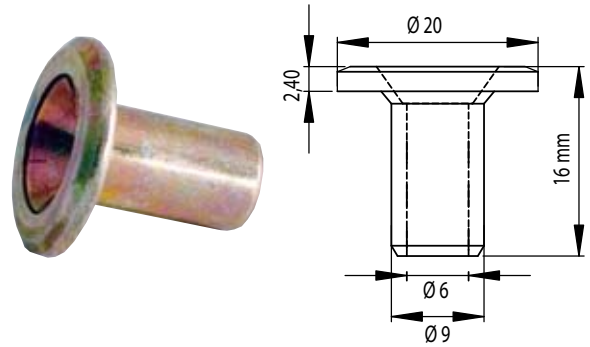
**INSEX COLLARS - NYLON**



Material: Nylon, Black  
 Size: Ø 12,7 x 4,5 mm X M6  
 Item No. # 12.05.040

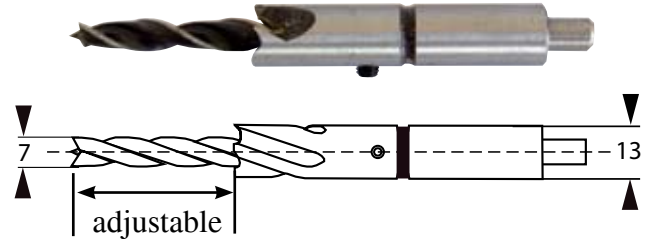
## INSEX COLLARS - STEEL W/SHAFT

Material: Steel, Yellow Zinc  
 Size:  $\varnothing 20 \times 16 \text{ mm} \times \text{M6}$   
 Item No. # 12.05.070



## DRILL BIT F/INSEX SCREWS & COLLARS

Twin set boring bits for  $\varnothing 7 \text{ mm}$  and  $\varnothing 13 \text{ mm}$  in one operation  
 Item No. # 12.18.010

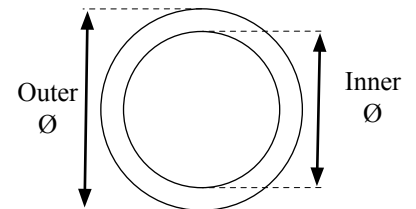


## BRASS TUBES

Application: As a pivot in connection with Fifteen screws, Threaded bolts or similar  
 Material: Brass, Natural  
 (Steel, Yellow Zinc Plated & Stainless Steel on request)  
 Diameter: Outer diameter (OD) 8 mm, Inner diameter (ID) 6,2 mm  
 Outer diameter (OD) 10 mm, Inner diameter (ID) 7,0 mm  
 Outer diameter (OD) 12 mm, Inner diameter (ID) 10,6 mm  
 Length: Any length cut-to-size  
 Item No. 12.60.010 etc.

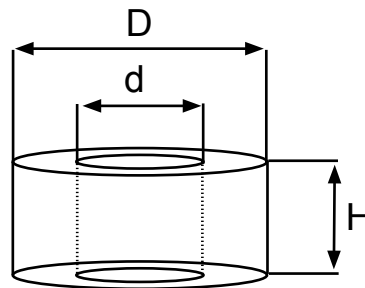


Brass tube



## DISTANCE SPACERS

Material: PE Polyethylene  
 Colour: Black  
 Diametres: D  
 6, 8, 10, 12, 15, 18  
 20, 22, 25, 32, 40 mm  
 Hole: d  
 M3, M4, M5, M6, M8,  
 M10, M12  
 Hight: H  
 From 2,5 to 30 mm



**INSEX KEYS**

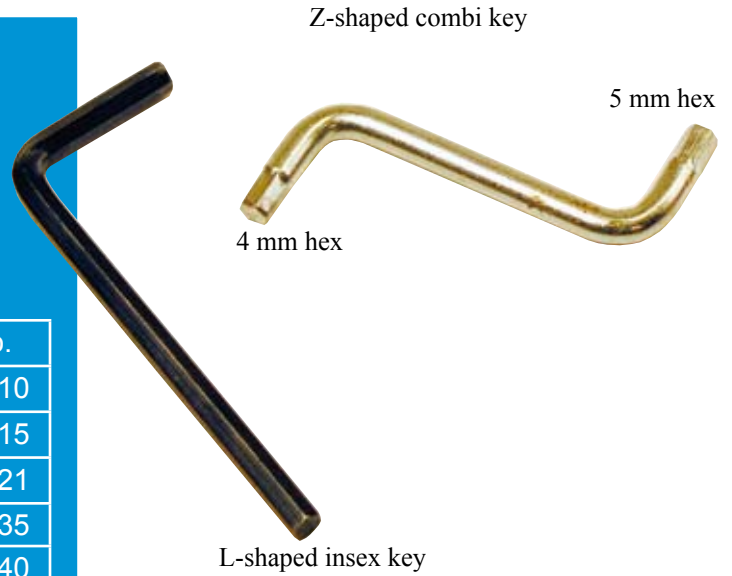
**Material:** Steel, Hardened

**Hex:** 4 or 5 mm or combi key with 4 & 5 mm

**Finish:** Bright Zinc Plated (BZP) or Black Zinc Plated

**Type:** L-shaped or Z-shaped

Type	Size	Hex	Finish	Item No.
L-shaped	23 x 65 mm	4 mm	Black	# 12.06.010
L-shaped	28 X 65 mm	4 mm	BZP	# 12.06.015
L-shaped	31 X 75 mm	5 mm	BZP	# 12.06.021
Z-shaped	37 X 48 mm	4 mm	BZP	# 12.06.035
Z-shaped	39 X 48 mm	5 mm	BZP	# 12.06.040
Z-shaped	35 X 50 mm	4 & 5 mm	BZP	# 12.06.027



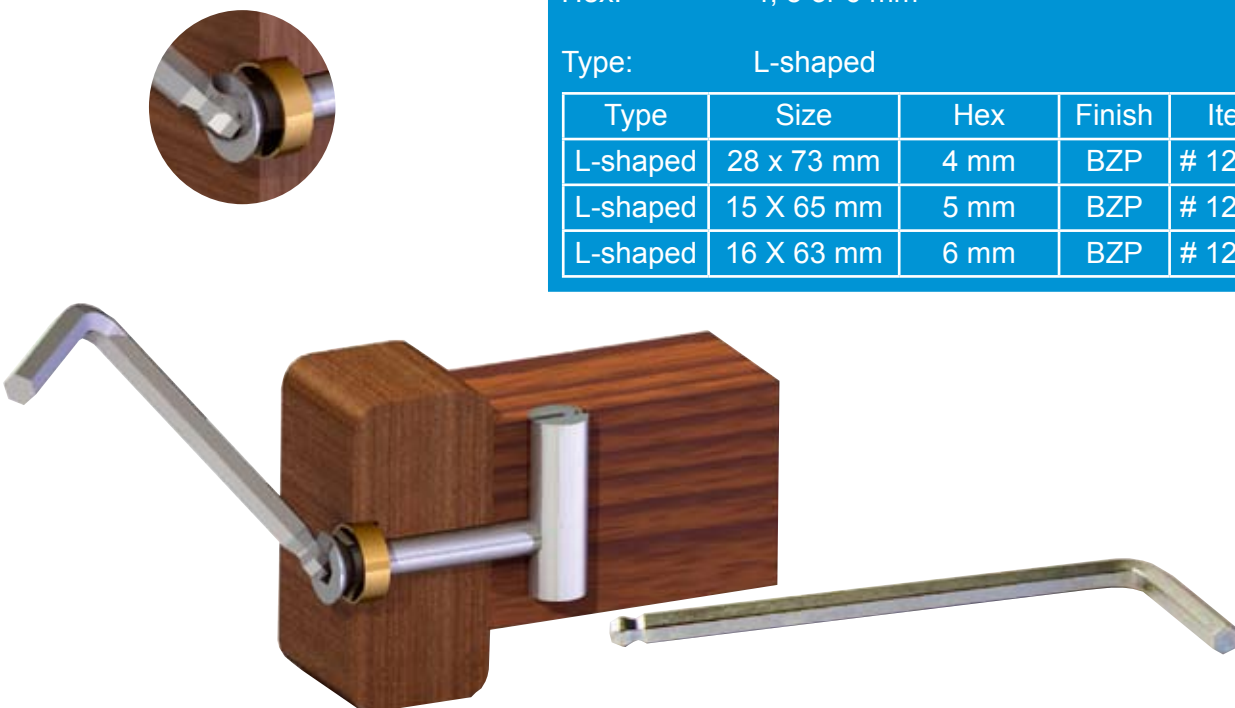
**INSEX KEY W/BALL POINT**

**Material:** Steel, Bright Zinc Plated

**Hex:** 4, 5 or 6 mm

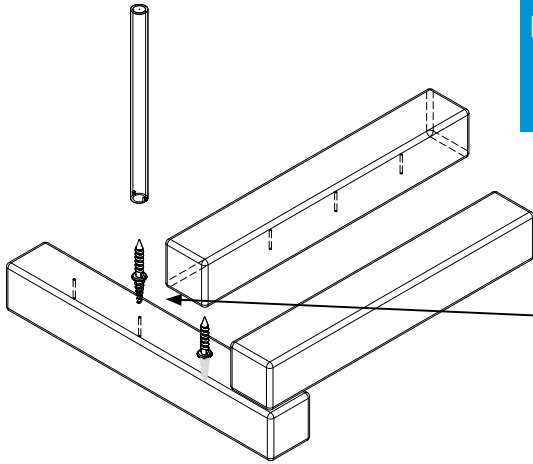
**Type:** L-shaped

Type	Size	Hex	Finish	Item No.
L-shaped	28 x 73 mm	4 mm	BZP	# 12.06.061
L-shaped	15 X 65 mm	5 mm	BZP	# 12.06.063
L-shaped	16 X 63 mm	6 mm	BZP	# 12.06.062





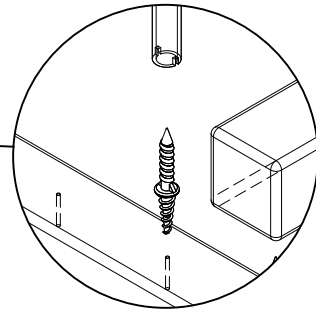
## DOUBLE POINTED STEEL NAILS



Application: As a concealed connector for slats  
 Material: Steel, Yellow Zinc Plated

Sizes: Ø 3,5 x 9 x 15 mm # 12.20.040  
 Ø 4,0 x 13 x 18 mm # 12.20.050

Mounting: By use of self-made steel tube with slot. Inner diameter Ø 3,5 - 4,0 mm. Tube is to be inserted into your drilling machine.



## CHIPBOARD SCREWS DIN 7505

Material: Steel, Zinc Plated  
 (other materials & finishes on request)

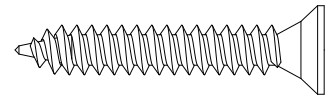
Thread: From Ø 3 mm up to Ø 6 mm

Lengths: From 12 mm up to 180 mm

Type: Pozidrive with countersunk head  
 (see illustration)

Item No. # 11.10.511 etc.

Packing: SISO box packing or bulk (see illustration)



POZI



## WOOD SCREWS

Material: Brass, Natural, Stainless Steel, Natural Steel, Yellow Zinc Plated

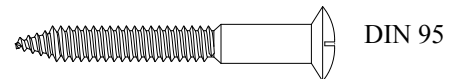
Diameter: From Ø 1,6 mm up to Ø 6,0mm

Length: From 8 mm up to 120 mm

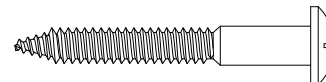
Type: Slotted with oval head DIN 95, round head DIN 96 or countersunk head DIN 97

Pozidrive with oval head DIN 7995, round head DIN 7996 or countersunk head DIN 7997

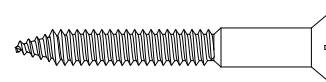
Item No. 11.07.603 etc.



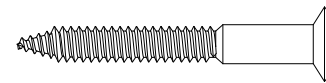
DIN 95



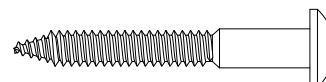
DIN 96



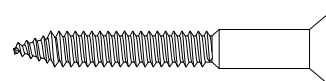
DIN 97



DIN 7995



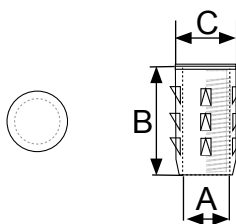
DIN 7996



DIN 7997

## BUSHINGS

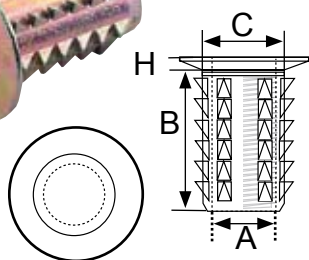
### KNOCK IN BUSHING »A«



Material: Zamak, Yellow Zinc Plated (YZP)  
Type: Knock in. No collar

A	B	C	Finish	Item No.
M4	10 mm	Ø 5 mm	YZP	# 12.09.990

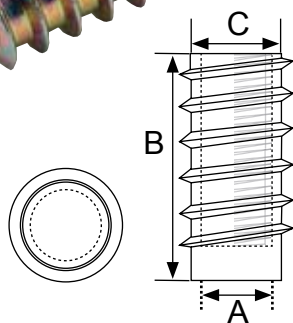
### KNOCK IN BUSHING »BI«



Material: Zamak, Yellow Zinc Plated (YZP)  
Type: Knock in. With countersunk collar

A	B	C	H = Head	Finish	Item No.
M8	20 mm	Ø 10 mm	Ø 19 x 3 mm	YZP	# 12.10.000

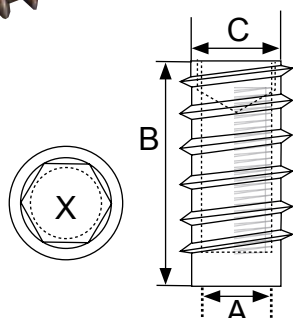
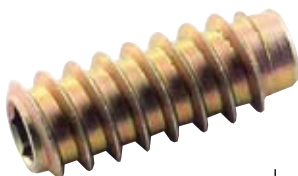
### SCREW IN BUSHING »BL«



Material: Steel, Yellow Zinc Plated (YZP)  
Type: Screw in by use of insert tool # 12.10.315.  
Closed end & no collar

A	B	C	Finish	Item No.
M8	30 mm	Ø 11,5 mm	YZP	# 12.10.179
M8	39 mm	Ø 11,5 mm	YZP	# 12.10.180

### SCREW IN BUSHING »BL SK«



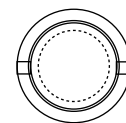
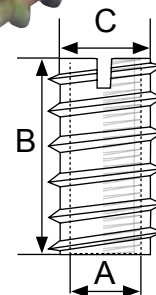
Material: Steel, Yellow Zinc Plated (YZP)  
Type: Screw in by use of hex key. Closed end & no collar

A	B	C	X = Hex	Finish	Item No.
M8	30 mm	Ø 11,5 mm	8 mm	YZP	# 12.10.176
M8	39 MM	Ø 11,5 mm	8 mm	YZP	# 12.10.177

## SCREW IN BUSHING »C«

Material: Brass, Natural or Steel, Yellow Zinc Plated (YZP)  
 Type: Screw in with slot. No collar

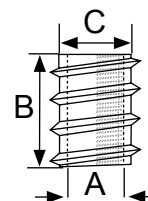
A	B	C	Brass	A	B	C	YZP
M4	8,0 mm	Ø 4,75 mm	# 12.10.002	M6	10 mm	Ø 8 mm	# 12.10.075
M6	14,5 mm	Ø 8 mm	# 12.10.106	M6	12 mm	Ø 8 mm	# 12.10.095
A	B	C	BZP	M6	14,5 mm	Ø 8 mm	# 12.10.105
M4	10 mm	Ø 6 mm	# 12.10.008	M6	24 mm	Ø 9 mm	# 12.10.109
M8	15 mm	Ø 10 mm	# 12.10.151	M8	20 mm	Ø 10 mm	# 12.10.175



## SCREW IN BUSHING »CV«

Material: Steel, Yellow Zinc Plated (YZP)  
 Type: Screw in by use of hex key. No collar

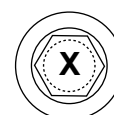
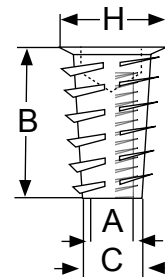
A	B	C	YZP
M6	12 mm	Ø 8 mm	# 12.10.096
M6	15 mm	Ø 8 mm	# 12.10.097



## SCREW IN BUSHING »D«

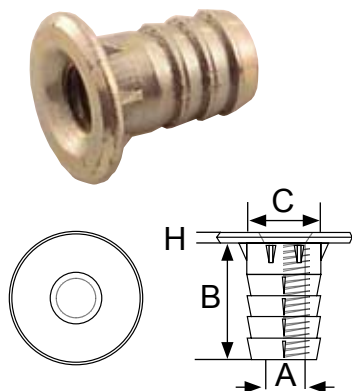
Material: Zamak, Yellow Zinc Plated (YZP)  
 Type: Screw in by use of hex key. With collar

A	B	C	H = Head	Finish	X = Hex	Item No
M4	10 mm	Ø 5,5 mm	Ø 8,5 mm	YZP	4 x 3,5 mm	# 12.10.185
M5	10 mm	Ø 7 mm	Ø 11 mm	YZP	5 x 3,5 mm	# 12.10.186
M6	10 mm	Ø 8 mm	Ø 12 mm	YZP	6 x 3,5 mm	# 12.10.188
M6	13 mm	Ø 8 mm	Ø 12 mm	YZP	6 x 3,5 mm	# 12.10.191
M6	16 mm	Ø 8 mm	Ø 12 mm	YZP	6 x 3,5 mm	# 12.10.195
M6	20 mm	Ø 8 mm	Ø 12 mm	YZP	6 x 3,5 mm	# 12.10.211
M8	13 mm	Ø 10 mm	Ø 14,5 mm	YZP	8 x 4,5 mm	# 12.10.215
M8	20 mm	Ø 10 mm	Ø 14,5 mm	YZP	8 x 5,5 mm	# 12.10.217
M10	25 mm	Ø 12 mm	Ø 16 mm	YZP	10 x 7,0 mm	# 12.10.219



# BUSHINGS

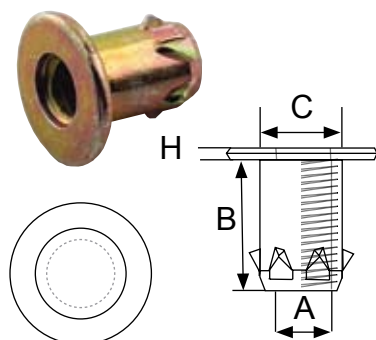
## KNOCK IN BUSHING »DR«



Material: Steel, Yellow Zinc Plated (YZP) or Bright Zinc Plated (BZP)  
 Type: Knock in. With collar

A	B	C	H = Head	YZP	BZP
M6	14 mm	Ø 8,3 mm	Ø 14 x 1,5 mm	# 12.10.710	# 12.10.711
M8	16 mm	Ø 10,5 mm	Ø 19 x 2,5 mm	# 12.10.721	# 12.10.720
M10	17 mm	Ø 12,5 mm	Ø 22 x 2,5 mm	# 12.10.730	# 12.10.731

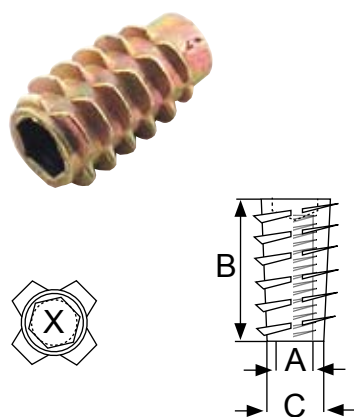
## KNOCK IN BUSHING »DRN«



Material: Steel, Yellow Zinc Plated (YZP) or Bright Zinc Plated (BZP)  
 Type: Knock in. With collar

A	B	C	H = Head	YZP	BZP
M6	14 mm	Ø 8,5 mm	Ø 15 x 2 mm	# 12.10.712	# 12.10.713
M8	16 mm	Ø 11 mm	Ø 19 x 2,25 mm	# 12.10.723	# 12.10.722

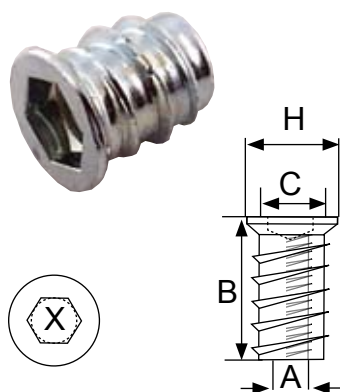
## SCREW IN BUSHING »E«



Material: Zamak, Yellow Zinc Plated (YZP)  
 Type: Screw in by use of hex key. No collar

A	B	C	X = Hex	Item NO.
M6	13 mm	Ø 7,5 mm	6 x 4,5 mm	# 12.10.222
M6	20 mm	Ø 7,5 mm	6 x 5,7 mm	# 12.10.223
M8	13 mm	Ø 10,5 mm	8 x 5,0 mm	# 12.10.225
M8	20 mm	Ø 10,5 mm	8 x 5,5 mm	# 12.10.226
M8	25 mm	Ø 10,5 mm	8 x 5,5 mm	# 12.10.227

## SCREW IN BUSHING »M«



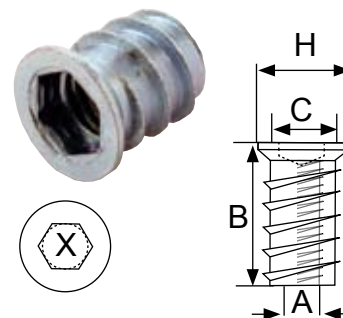
Material: Steel, Bright Zinc Plated (BZP)  
 Type: Screw in by use of hex key. With countersunk collar

A	B	C	X = Hex	H = Head	Item No.
M6	12 mm	Ø 8 mm	6 X 2 mm	Ø 9,8 mm	# 12.10.258
M6	12 mm	Ø 8 mm	6 X 3 mm	Ø 12 mm	# 12.10.259
M6	15 mm	Ø 8 mm	6 X 3 mm	Ø 12 mm	# 12.10.260
M6	20 mm	Ø 10 mm	6 X 3 mm	Ø 12 mm	# 12.10.265
M8	15 mm	Ø 10 mm	8 X 3 mm	Ø 14 mm	# 12.10.270
M8	20 mm	Ø 10 mm	8 X 3 mm	Ø 14 mm	# 12.10.290
M8	24 mm	Ø 10 mm	8 X 3 mm	Ø 14 mm	# 12.10.292
M10	20 mm	Ø 13 mm	10 X 3 mm	Ø 17 mm	# 12.10.293

## SCREW IN BUSHING »MZ«

Material: Zamak, Bright Zinc Plated (BZP)  
 Type: Screw in by use of hex key. With countersunk collar

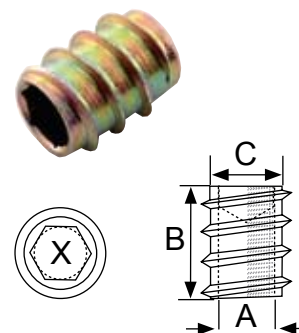
A	B	C	X = Hex	H = Head	Item No.
M6	13 mm	Ø 8 mm	6 x 3,5 mm	Ø 12 mm	# 12.10.257
M8	15 mm	Ø 10 mm	8 x 3,5 mm	Ø 14 mm	# 12.10.271



## SCREW IN BUSHING »SK«

Material: Steel, Yellow Zinc Plated (YZP) or Zamak (YZP)  
 Type: Screw in by use of hex key. No collar

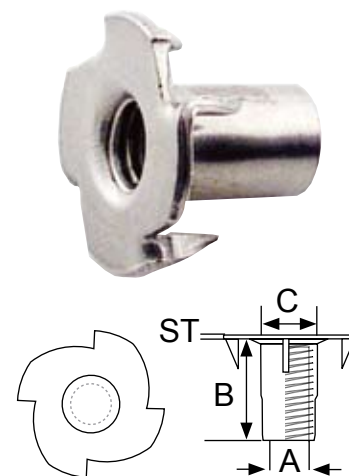
A	B	C	X = Hex	YZP	Material
M6	13,5 mm	Ø 8,25 mm	6 x 3 mm	# 12.10.460	Steel
M6	15 mm	Ø 8,5 mm	6 x 4,5 mm	# 12.10.461	Zamak



## »T-NUT«

Material: Steel, Bright Zinc Plated (BZP) or Plain  
 ST = Steel Thickness  
 Type: Knock in, 4 Prongs

A	B	C	ST	Item No.	Finish
M4	5 mm	Ø 6,5 mm	0,8 mm	# 12.11.001	BZP
M5	8 mm	Ø 6,5 mm	0,8 mm	# 12.11.006	BZP
M6	8 mm	Ø 7,5 mm	1,2 mm	# 12.11.011	BZP
M6	11 mm	Ø 7,5 mm	1,2 mm	# 12.11.014	BZP
M6	15 mm	Ø 7,5 mm	1,2 mm	# 12.11.017	BZP
M8	10 mm	Ø 9,5 mm	1,2 mm	# 12.11.019	BZP
M8	15 mm	Ø 9,5 mm	1,5 mm	# 12.11.021	Plain
M10	11 mm	Ø 9,5 mm	1,5 mm	# 12.11.024	BZP
M10	16 mm	Ø 11,75 mm	1,6 mm	# 12.11.027	BZP



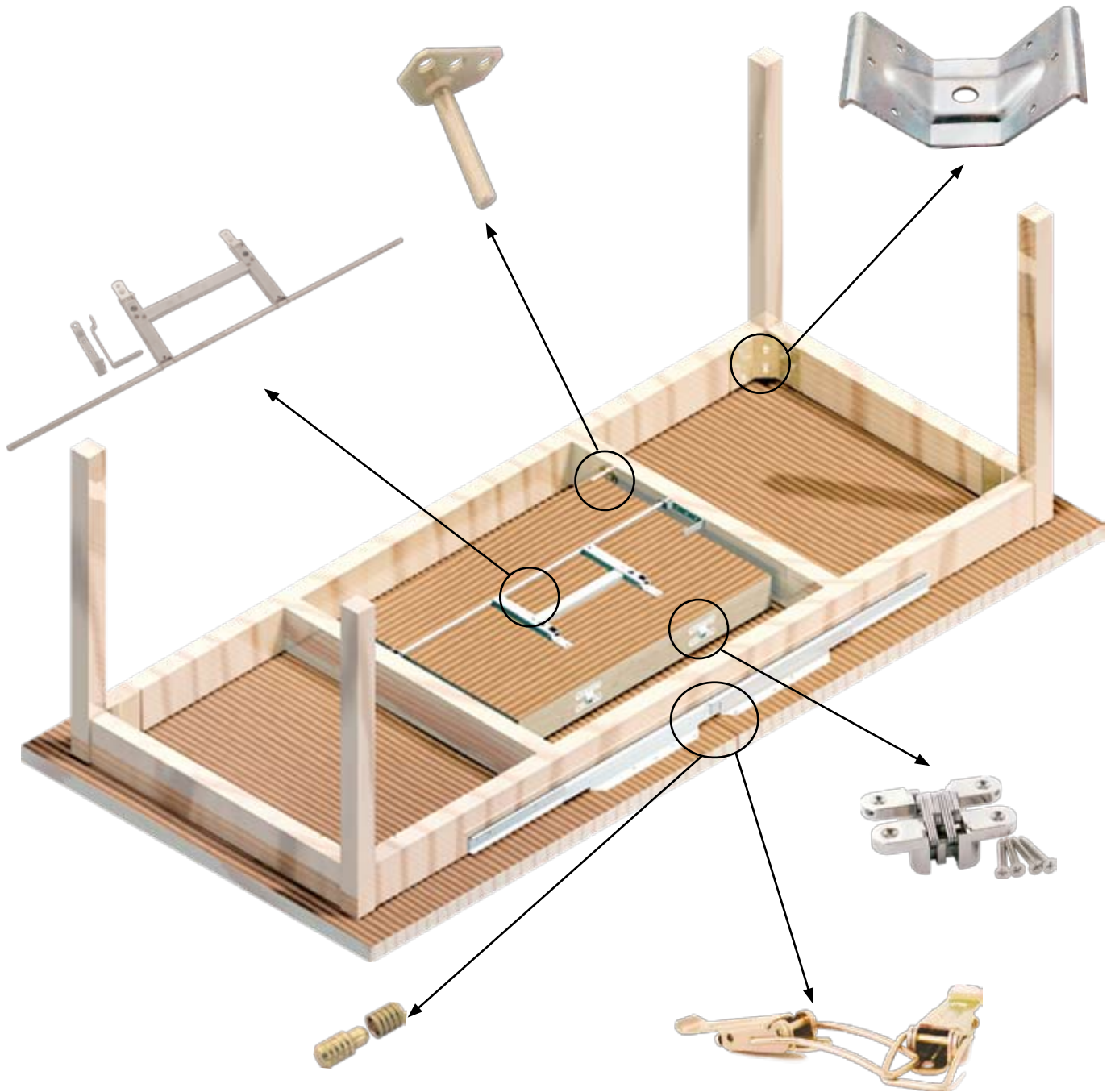
## TOOL FOR INSERTING SCREW IN BUSHING

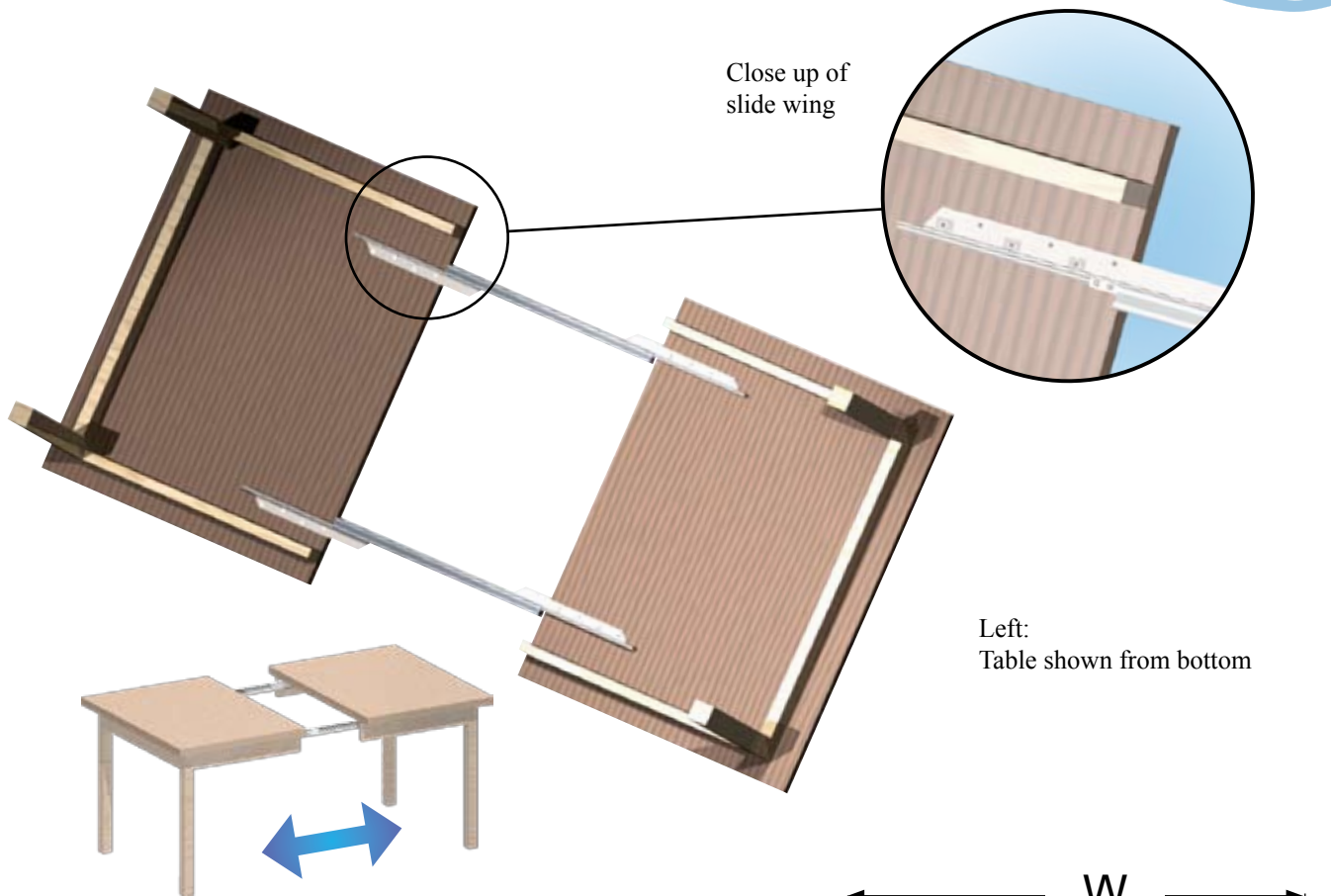
Material: Steel  
 Type: Tool for inserting screw in bushing

Thread	Item No.
M6	# 12.10.300
M8	# 12.10.315
M10	# 12.10.320



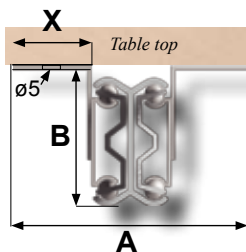
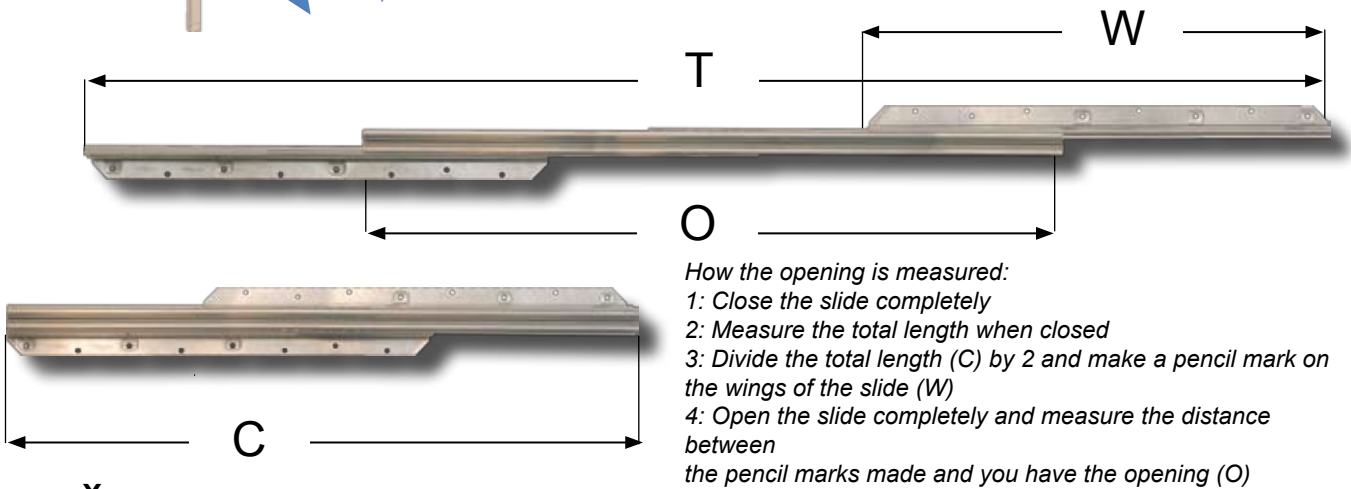






Close up of slide wing

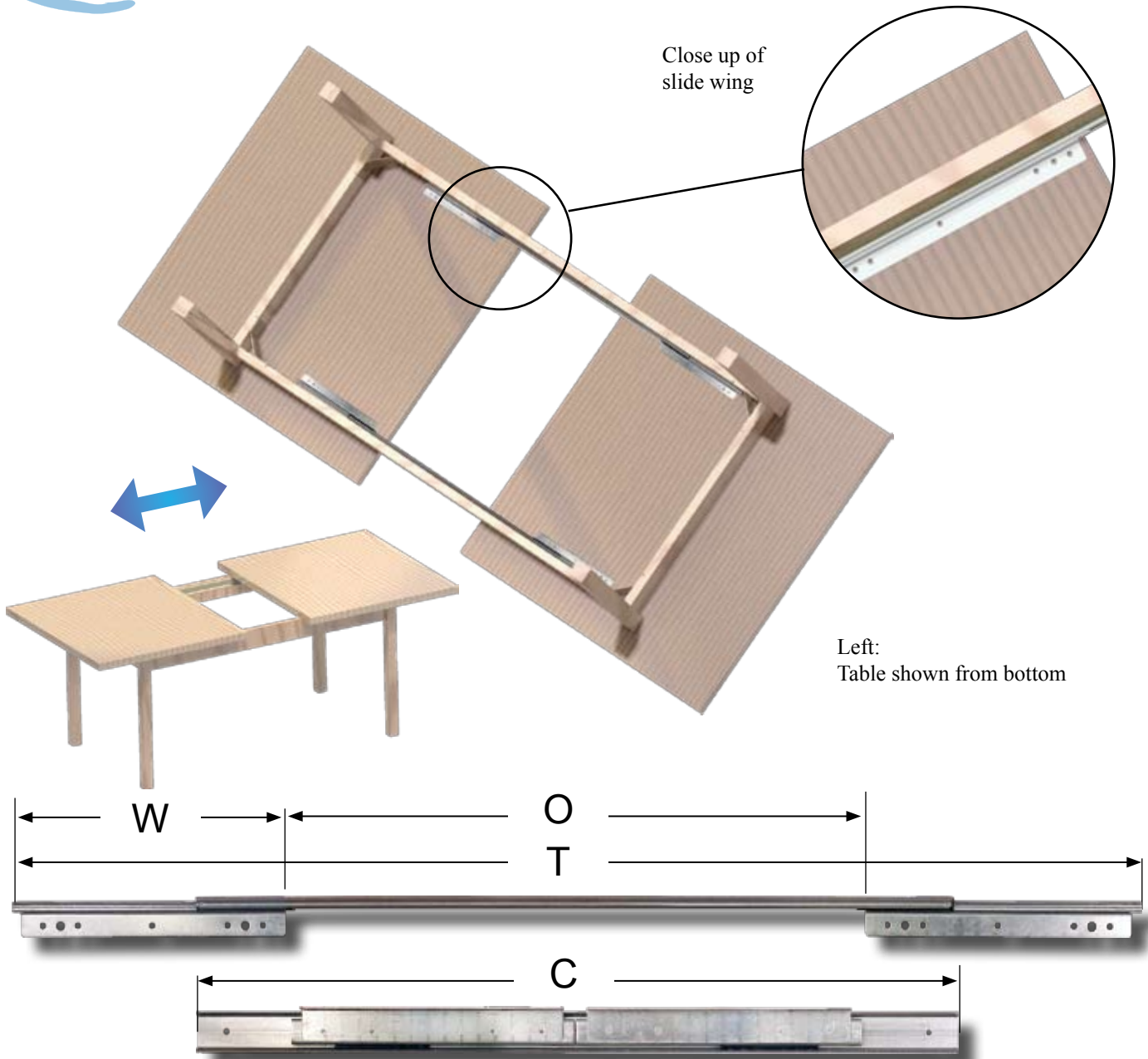
Left:  
Table shown from bottom



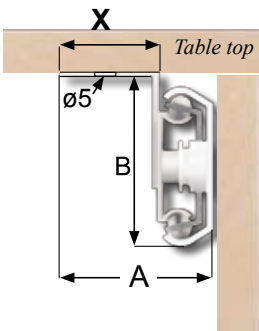
\* Illustration only for measurement use

In mm	Model Split »Standard« Steel - Zinc Plated or Stainless Steel				
Opening (O)	530	640	850	950	1050
Closed Length (C)	660	450	560	660	740
Total Length (T)	1090	1090	1420	1620	1860
Wing Size (W)	550	370	550	550	650
Slide Width (A)	57	70	72	72	72
Slide Height (B)	40	40	50	50	50
Wing Width (X)	22	22	22	22	22
Load Capacity	60 kg.	60 kg.	90 kg.	90 kg.	90 kg.
Item No.:	24.01.006	24.01.013	24.01.019	24.01.029	24.01.042

Other sizes on request



Left:  
Table shown from bottom



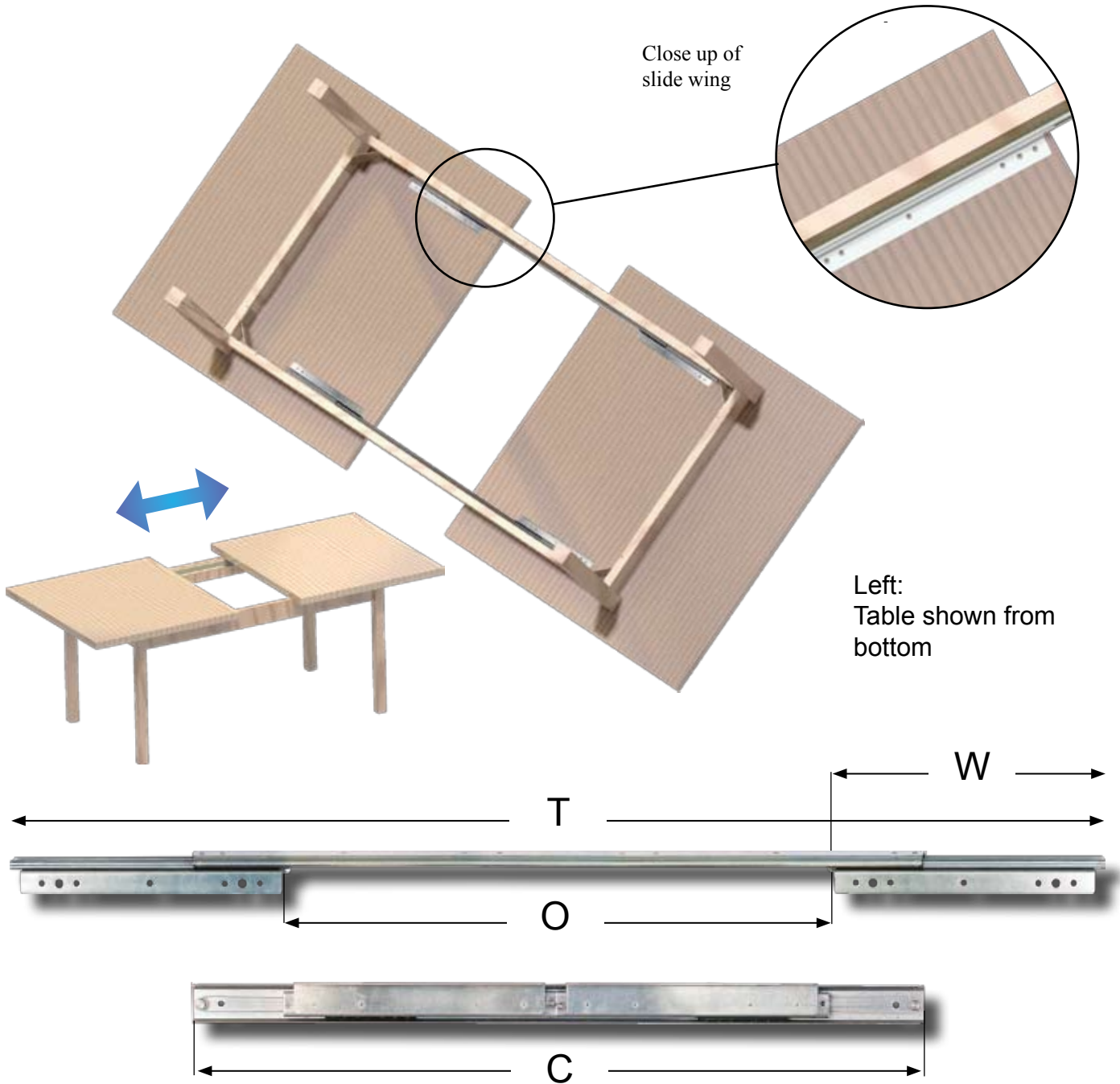
\* Illustration only  
for measurement use

	In mm		Model Top Slide 9097 »Standard«			
	Steel - Zinc Plated or Stainless Steel					
Opening (O)	420	470	520	570	620	1020
Closed Length (C)	610	650	700	750	800	1250
Total Length (T)	950	990	1040	1090	1220	1830
Wing Size (W)	240	240	240	240	280	370
Slide Width (A)	35	35	35	35	35	36
Slide Height (B)	40	40	40	40	40	50
Wing Width (X)	22	22	22	22	22	22
Load Capacity	60 kg.	60 kg.	60 kg.	60 kg.	60 kg.	90 kg.
Item No.:	24.05.012	24.05.023	24.05.033	24.05.043	24.05.048	24.05.086

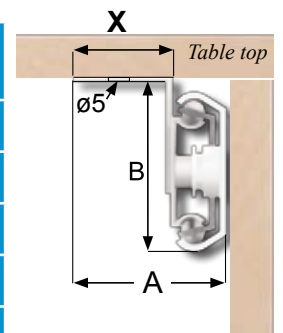
Other sizes on request

# SYNCHRONIC SLIDE »STANDARD«

- high quality furniture fittings



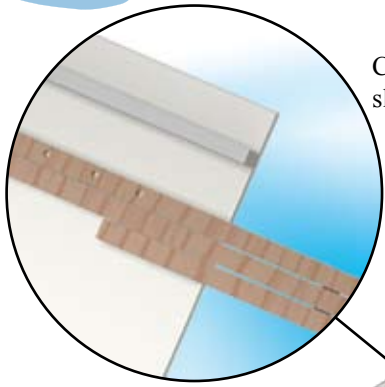
In mm	Model Synchronic »Standard« Steel - Zinc Plated or Stainless Steel					
Opening (O)	420	470	520	570	620	1020
Closed Length (C)	610	650	700	750	800	1250
Total Length (T)	950	990	1040	1090	1220	1830
Wing Size (W)	240	240	240	240	280	370
Slide Width (A)	35	35	35	35	35	36
Slide Height (B)	40	40	40	40	40	50
Wing Width (X)	22	22	22	22	22	22
Load Capacity	60 kg.	60 kg.	60 kg.	60 kg.	60 kg.	90 kg.
Item No.:	24.03.531	24.03.544	24.03.546	24.03.549	24.03.552	24.03.561



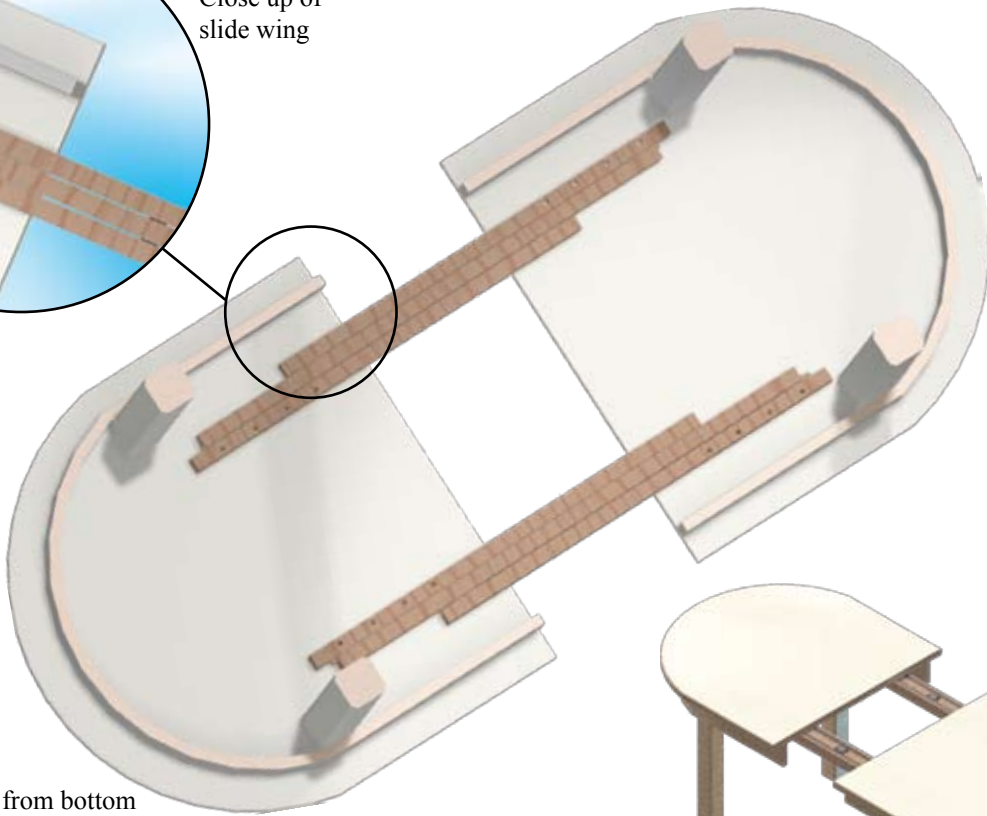
\* Illustration only  
for measurement use

Other sizes on request

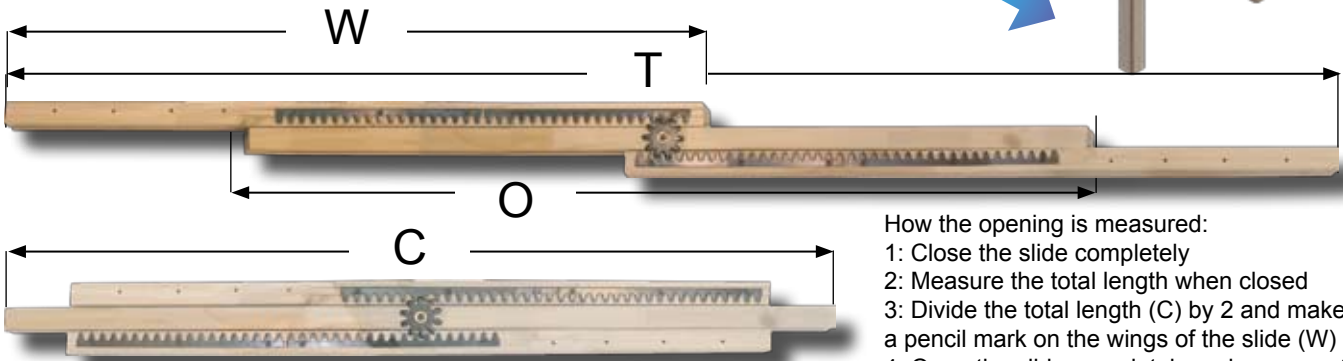




Close up of slide wing



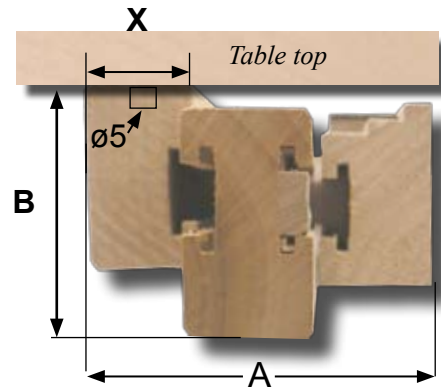
Right:  
Table shown from bottom



How the opening is measured:

- 1: Close the slide completely
- 2: Measure the total length when closed (C)
- 3: Divide the total length (C) by 2 and make a pencil mark on the wings of the slide (W)
- 4: Open the slide completely and measure the distance between the pencil marks made and you have the opening (O)

In mm	Wood Slide »Split« Durian Wood Hard Plastic Worm Gear		
Opening (O)	650	960	1035
Closed Length (C)	685	1060	1060
Total Length (T)	1340	2015	2082
Wing size (W)	683	1055	1055
Slide Width (A)	90	90	90
Slide Height (B)	60	60	60
Wing Width (X)	28	28	28
Item No.:	24.02.549	24.02.551	24.02.552



\* Illustration only  
for measurement use



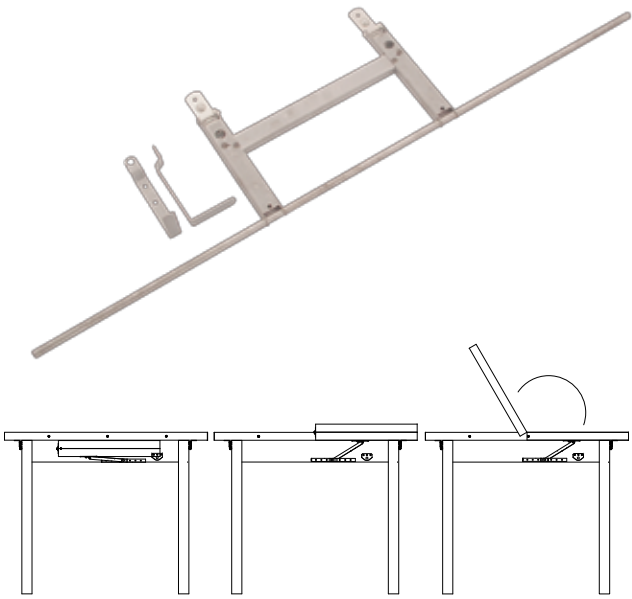
## HIDE AWAY MECHANISM f/ FOLDED TABLE TOPS

- Suitable for table flap widths from 400 to 700 mm.

Material: Steel  
 Size: Bar:  $\varnothing 8 \times 800$  mm  
 Frame:  $160 \times 255$  mm  
 Clips:  $20 \times 75$  mm  
 Screw holes:  $\varnothing 4,5$  mm  
 Finish: Chrome Plated

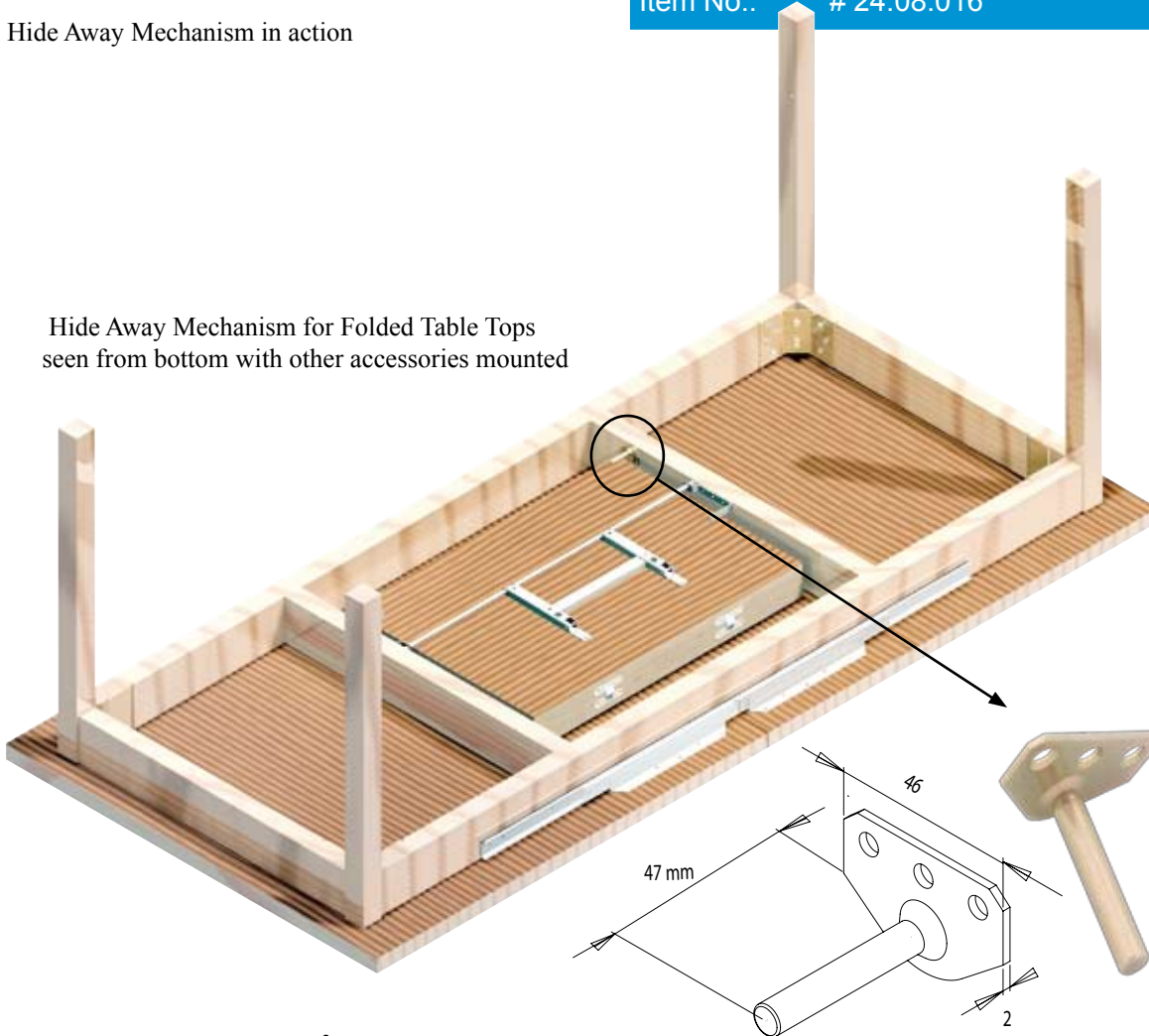
The Mechanism incl. 2 Brackets  
 Material: Steel  
 Size:  $14 \times 55 \times 109$  mm  
 Screw holes:  $\varnothing 4,5$  mm  
 Finish: Chrome Plated

Item No.: # 24.08.016



Hide Away Mechanism in action

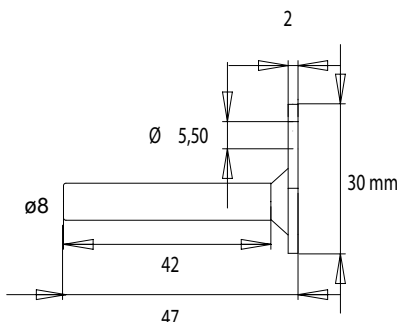
Hide Away Mechanism for Folded Table Tops  
seen from bottom with other accessories mounted



## SUPPORT BRACKET – f/ TABLE FLAPS

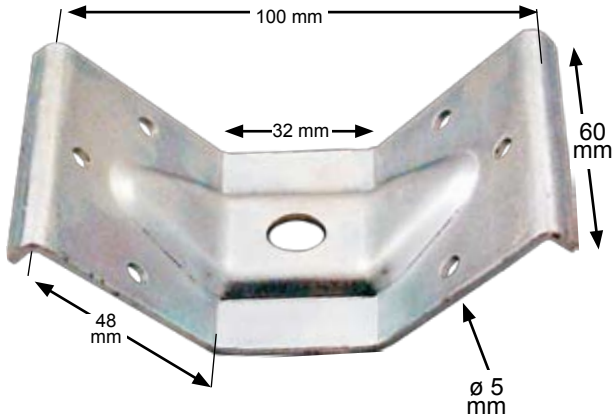
Material: Steel  
 Size: Body:  $46 \times 30$  mm  
 Pin:  $\varnothing 8 \times 47$  mm  
 Screw holes:  $\varnothing 5,5$  mm

Finish: Yellow Zinc # 24.03.160



# LEG CORNER BRACKETS

## MODEL 21

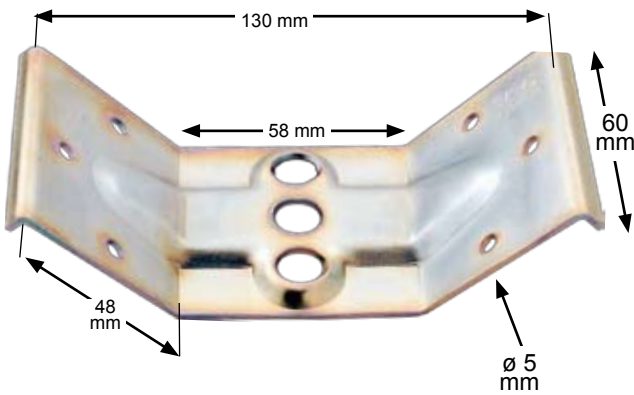


Height: 60mm 1 Hole f/M8 or M10 Bolt

Steel thickness 1,5mm:  
 Steel, Yellow Zinc, 12 micron # 11.07.035  
 Steel, Bright Zinc # 11.07.030  
 Stainless Steel # 11.07.110

Steel thickness 2,0mm:  
 Steel, Yellow Zinc, 12 micron # 11.07.037  
 Steel, Bright Zinc # 11.07.038  
 Stainless Steel # on request

## MODEL 22

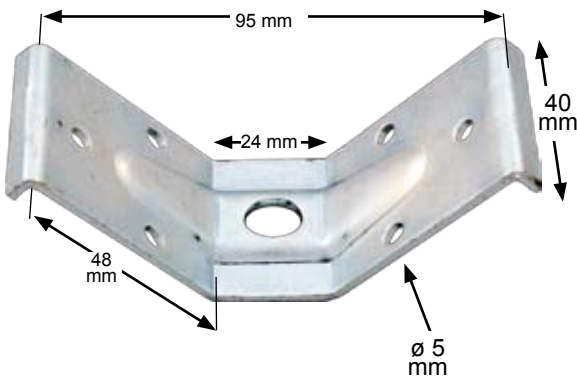


Height: 60mm 1 or 3 Holes f/M8 or M10 Bolt

1 Hole:  
 Steel thickness 2,0mm:  
 Steel, Yellow Zinc, 12 micron # 11.07.042  
 Steel, Bright Zinc # 11.07.040  
 Stainless Steel # on request

3 Holes:  
 Steel thickness 2,0mm:  
 Steel, Yellow Zinc, 12 micron # 11.07.043  
 Steel, Bright Zinc # 11.07.041  
 Stainless Steel # on request

## MODEL 23

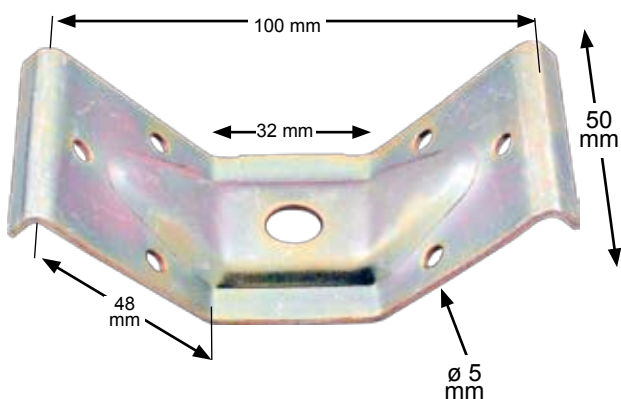


Height: 40mm 1 Hole f/M8 or M10 Bolt

Steel thickness 1,5mm:  
 Steel, Yellow Zinc, 12 micron # 11.07.051  
 Steel, Bright Zinc # 11.07.050  
 Stainless Steel # on request

Steel thickness 2,0mm:  
 Steel, Yellow Zinc, 12 micron # 11.07.056  
 Steel, Bright Zinc # 11.07.055  
 Stainless Steel # on request

## MODEL 26



Height: 50mm 1 Hole f/M8 or M10 Bolt

Steel thickness 1,5mm:  
 Steel, Yellow Zinc, 12 micron # 11.07.061  
 Steel, Bright Zinc # 11.07.060  
 Stainless Steel # on request

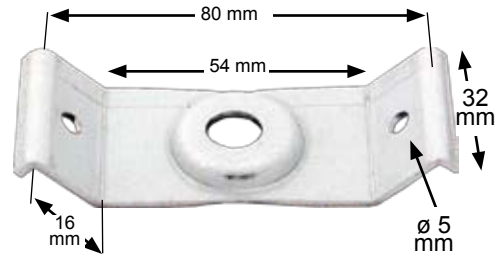
Steel thickness 2,0mm:  
 Steel, Yellow Zinc, 12 micron # 11.07.066  
 Steel, Bright Zinc # 11.07.065  
 Stainless Steel # on request

## MODEL 27

Height: 32mm 1 Hole f/M8 or M10 Bolt

Steel thickness 2,0mm:

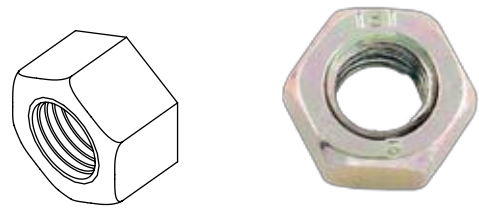
Steel, Yellow Zinc, 12 micron	# 11.07.071
Steel, Bright Zinc	# 11.07.070
Stainless Steel	# on request



## HEXAGONAL NUT DIN 934

Material: Steel  
Finish: Yellow Zinc or Bright Zinc

Size:	Item No.:
M6	# 12.11.905/906
M8	# 12.12.015/16
M10	# 12.12.026/27

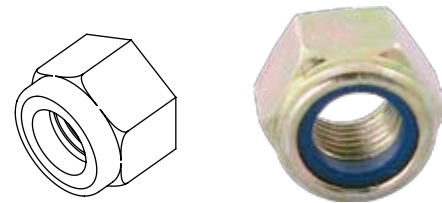


M6 to M10

## HEXAGONAL NUT WITH NYLON RING DIN 985

Material: Steel and nylon  
Finish: Yellow Zinc or Bright Zinc

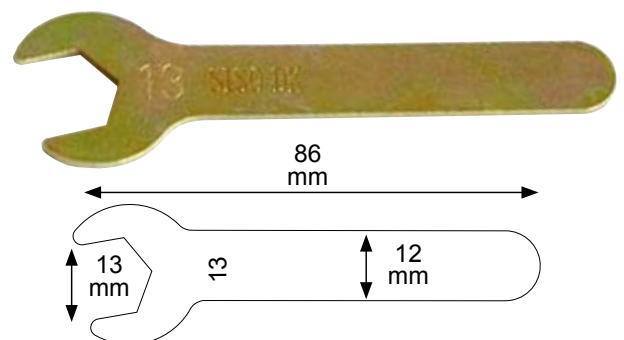
Size:	Item No.:
M6	# 12.12.421
M8	# 12.12.440
M10	# 12.12.445



M6 to M10

## WRENCH KEY F/HEX NUTS

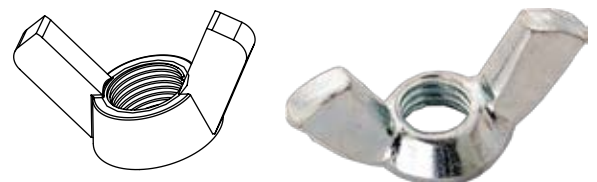
Material:	Steel Yellow Zinc Plated
Hex:	8 mm (others on request)
Item No.:	Hardened steel # 12.06.155
	Unhardened steel # 12.06.150



## WING NUT

Material: Steel  
Finish: Yellow Zinc or Bright Zinc

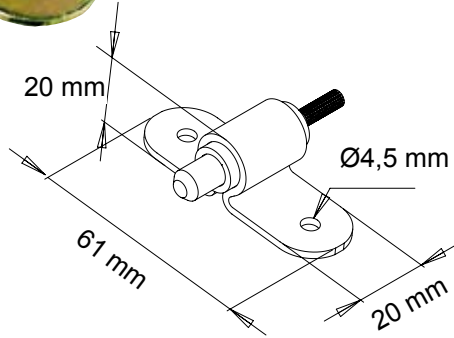
Size:	Item No.:
M6	# 12.12.050/51
M8	# 12.12.055/58
M10	# 12.12.060/61



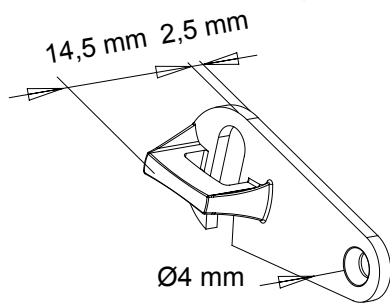
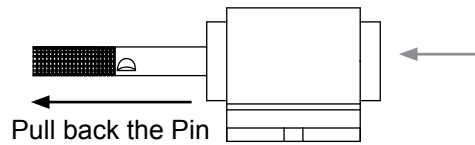
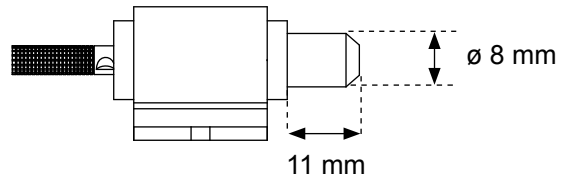
M6 to M10

# LOCKING PIN & HOOKS

## LOCKING PIN »CEPACOMO«

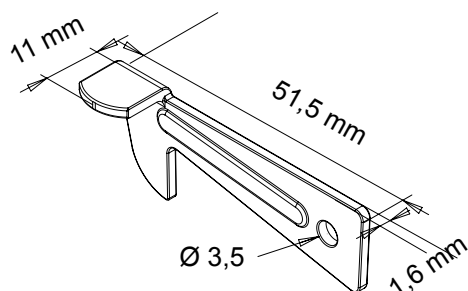
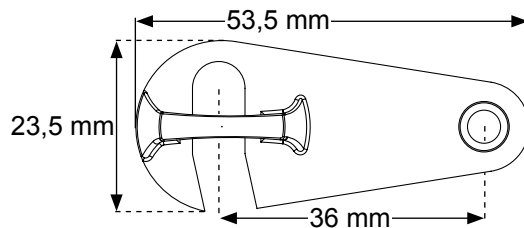


Material:	Steel
Size:	Body: 20 x 61 mm Pin: Ø 8 x 11 mm
Screw holes:	Ø 4,5 mm
Finish: Yellow Zinc	# 04.05.150



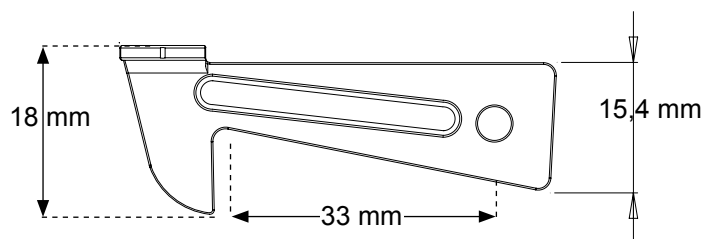
## TABLE HOOK »DE LUXE«

Material:	Zamak
Total Size:	23,5 x 53,5 mm
Hook opening:	7 mm
Screw hole:	Ø 4 mm
Finish: Nickel Plated	# 24.03.085
Yellow Zinc	# 24.03.086



## TABLE HOOK »# 7864«

Material:	Steel 1,60 mm
Total Size:	18 x 51,5 mm
Screw hole:	Ø 3,5 mm
Finish: Yellow Zinc	# 24.03.080

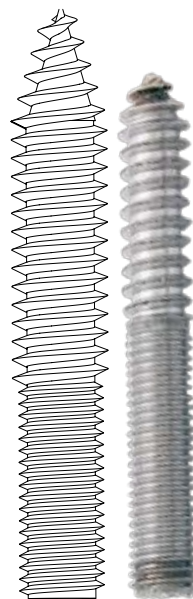


## HANGERBOLTS

Material: Steel  
Finish: Yellow Zinc or Bright Zinc

Size	Item No.:	Size	Item No.:
M4 x 25 mm	# 12.13.000	M8 x 100 mm	# 12.13.037/38
M4 x 50 mm	# 12.13.001	M10 x 50 mm	# 12.13.150
M6 x 50 mm	# 12.13.006/08	M10 x 60 mm	# 12.13.160/61
M6 x 60 mm	# 12.13.016/17	M10 x 70 mm	# 12.13.170
M8 x 50 mm	# 12.13.022/23	M10 x 80 mm	# 12.13.180
M8 x 60 mm	# 12.13.027	M10 x 90 mm	# 12.13.190
M8 x 70 mm	# 12.13.031/32	M10 x 100 mm	# 12.13.100
M8 x 80 mm	# 12.13.035	M10 x 120 mm	# 12,13.205

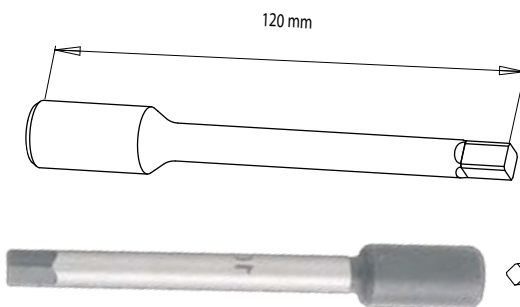
Other sizes on request



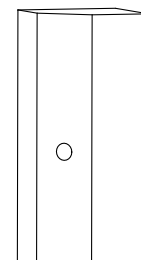
M4 to M10

## TOOL FOR INSERTING HANGERBOLTS

Size	Item No.:
M6	# 12.13.100
M8	# 12.13.105
M10	# 12.13.115



M6 to M10



## WASHERS

Material: Steel, Yellow Zinc Plated or Bright Zinc Plated  
Brass, Natural  
Stainless Steel, Natural

Sizes: Inner diameter 6,4/8,4 & 10,5 mm

Type: Flat washer DIN 125-A  
Spring washer DIN 127  
Serrated lock washer DIN 6798A

Item No. 12.13.294 etc.

Spring washer

Serrated lock washer

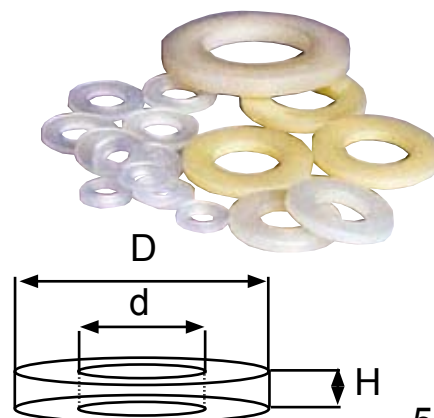
Flat washer



## NYLON WASHERS

Material: PA Polyamid  
Colour: Natur

D	d	H
8 mm	M4	1,5 mm
12 mm	M6	1,5 mm
17 mm	M8	2,0 mm
21 mm	M10	2,5 mm
24 mm	M12	2,5 mm
30 mm	M16	3,0 mm







**LAZY SUSAN ALUMINIUM TURNTABLE**

**Material:** Ring: 1<sup>st</sup> grade aluminium, Die Cast  
 Balls: High grade carbon steel or stainless steel (grade 200)

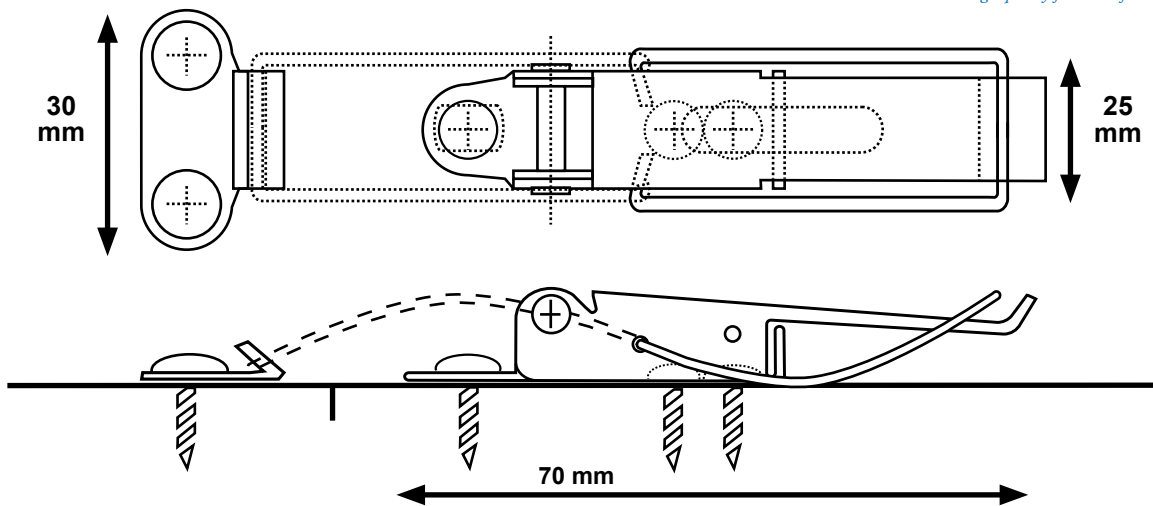
**Application:** 360 degrees easy swivelling, apply to any kind of dining table, TV-stand, computer tables etc.

Other sizes on request

			Load	Top		Bottom	
Sizes	Item. No.:		Capacity	Out	In	Out	In
	SS Ball	Steel ball		White rubber	CSK Holes	CSK Holes	White rubber
300 mm	# 16.15.371	# 16.15.370	50-70 kg	6	4	4	6
400 mm	# 16.15.382	# 16.15.381	80-100 kg				
400 mm		# 16.15.380		6	0	3	6
450 mm	# 16.15.385		100-125 kg	4	4	4	4
600 mm	# 16.15.395		170-190 kg	8	4	4	8
750 mm	# 16.15.400		200-300 kg	10	0	5	10

# CATCH # 22

- high quality furniture fittings



**Catch #22** is a patented version of the traditional table catch. This new model holds itself flat underneath the table top and spare leaves in both the locked and unlocked position.

Flat to base, even when unlocked - see picture A - D.

The old version always hung loose underneath the table and from spare leaves when not in use. This could easily cause damage to surfaces and edges, particularly on tables fitted with folding »butterfly« extension leaves and even to peoples' legs and clothing.

## Catch #22

<b>Material:</b>	
Stainless Steel, Polished 304	# 24.03.000
Steel, Bronzed Plated	# 24.03.001
Steel, Yellow Zinc Plated	# 24.03.002
Steel, Bright Zinc Plated	# 24.03.003
Steel, Black e-coating	# 24.02.999

**Fixation:**  
Wood Screws: Ø 4 mm x 16 mm, Pan Head

Standard packing: 600 Pcs. per carton.

Besides the standard version we also offer the Catch #22 with a 60 mm long hasp for tables with chamfered edges.

<b>Material</b>	
Steel, Yellow Zinc Plated	# 24.03.005

**Patent:** UK Pat No. 2309252  
United States Patent 6,041,721  
EP Pat. No. 0786217B1

A



B



C



D



**LOCATING PINS**

For Table Tops, etc.

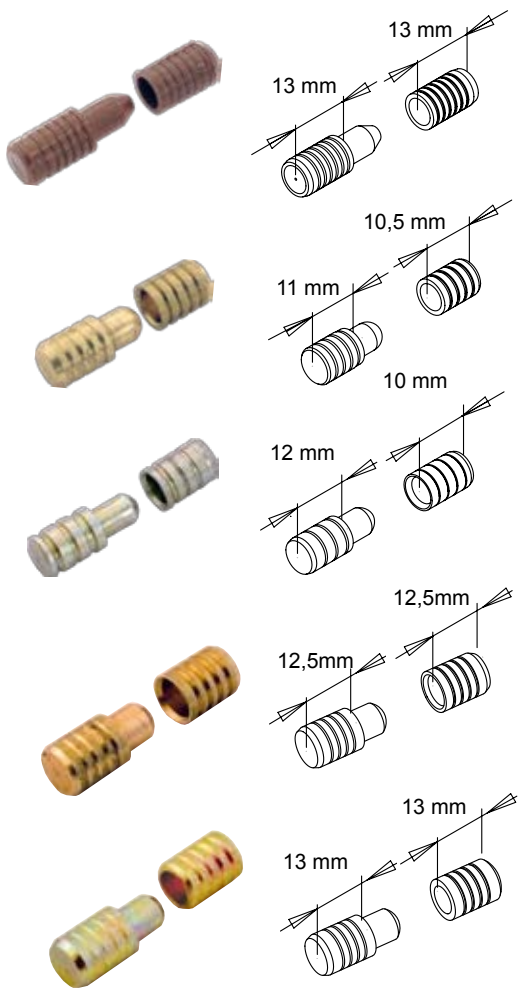
Material: Nylon  
 Size: Ø 8 x 26 mm  
 Finish: Brown  
 Item No.: Male # 11.06.890  
 Female # 11.06.891

Material: Brass  
 Size: Ø 8 x 21,5 mm  
 Finish: Natural  
 Item No.: Male # 11.06.855  
 Female # 11.06.856

Material: Steel  
 Size: Ø 8 x 24 mm  
 Finish: Yellow Zinc 12 Micron  
 Item No.: Male & Female # 11.06.851

Material: Brass  
 Size: Ø 10 x 25 mm  
 Finish: Natural  
 Item No.: Male # 11.06.857  
 Female # 11.06.858

Material: Steel  
 Size: Ø 10 x 26,2 mm  
 Finish: Yellow Zinc 2-3 mycron  
 Item No.: Male & Female # 11.06.854

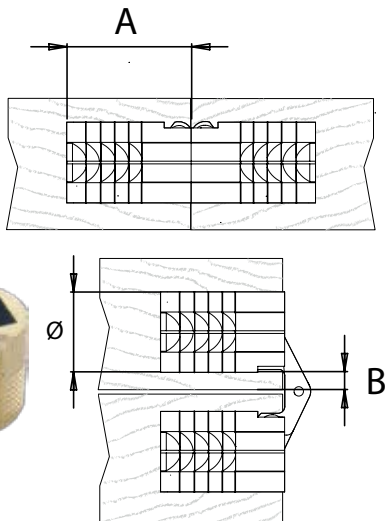


**CIRCULAR TABLE SPANNER  
 # GT 60/2**



Material: Zamak, 3 mm  
 Screw hole: ø 3,5 mm  
 Diameter: ø 60 mm  
 Item No.: Brass Plated # 24.03.070  
 Item No.: Nickel Plated # 24.03.071

**BRASS CYLINDER HINGE  
 w/ SS PIN & SCREWS**



Material: Body and Linkage: Brass Natural  
 Pin and Screws: Stainless Steel (SS)

Sizes	Item No	A*	B*
Ø 10 mm	# 15.07.345	11,0 mm	2,0 mm
Ø 12 mm	# 15.07.346	13,5 mm	2,2 mm
Ø 14 mm	# 15.07.347	15,5 mm	3,0 mm
Ø 16 mm	# 15.07.348	16,5 mm	3,0 mm
Ø 18 mm	# 15.07.349	17,5 mm	3,0 mm
Ø 24 mm	# 15.07.350	25,0 mm	4,5 mm

\* See illustration A and B for measurement

# HINGES

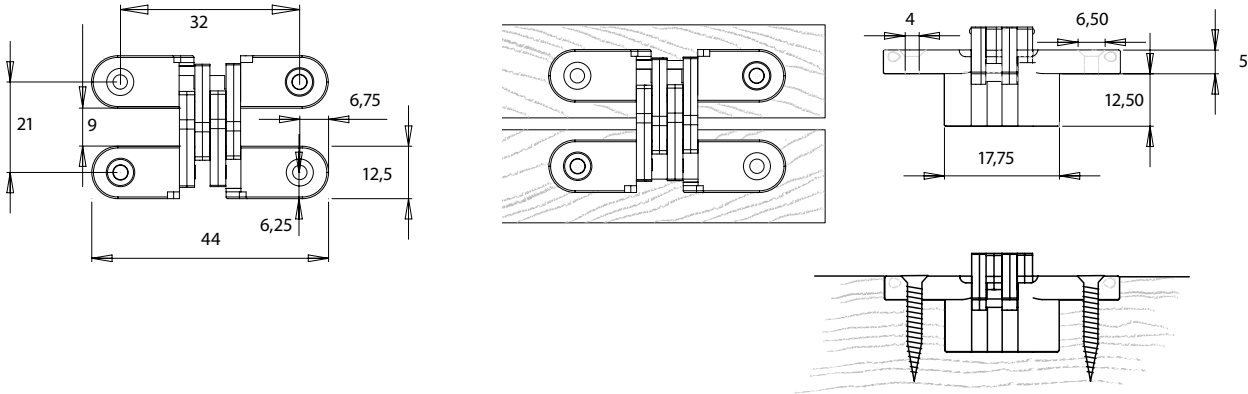
- high quality furniture fittings



## VICI HINGE - ZAMAK w/ STEEL LINKAGE - 180°

Material	Body:	Zamak
	Linkage:	Steel
Finish:	Yellow Zinc Plated (YZP)	
Size:	44 x 12,5 mm	
Screw Hole:	ø 4 mm - c/c 32 mm	
Item No.:	# 15.07.115	

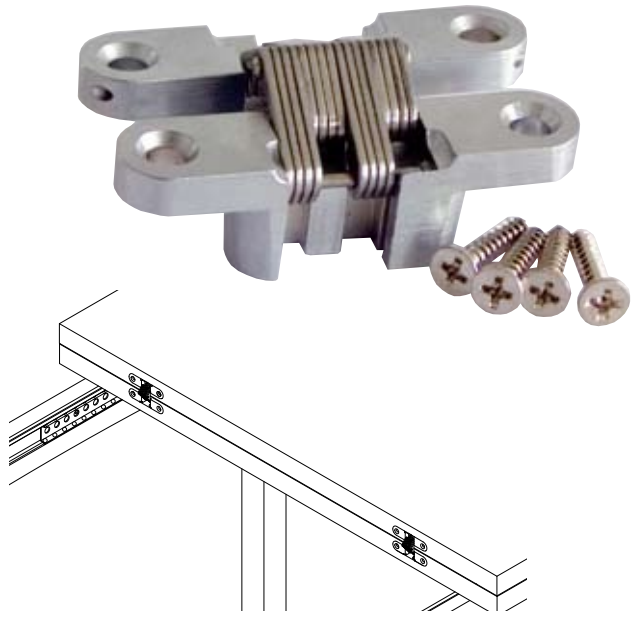
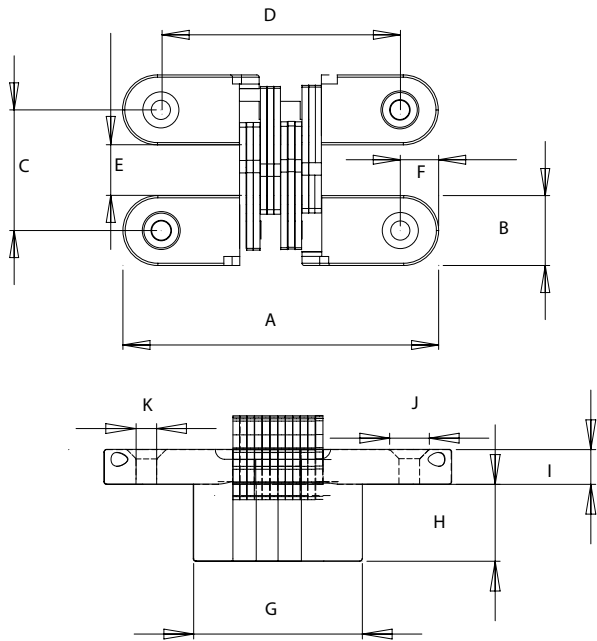
Other sizes and finishes on request



## VICI HINGE - ZAMAK w/ SS LINKAGE - 180°

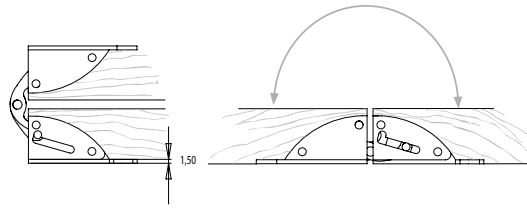
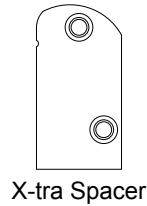
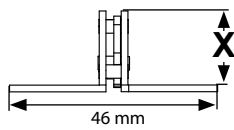
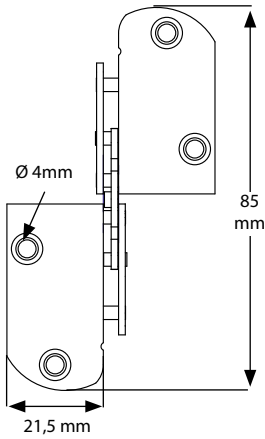
Material	Body:	Zamak	
	Linkage:	Stainless Steel (SS)	
Finish:	Body:	Stainless Steel look- Brushed	
	Linkage:	Plain	Incl. 4 CSK chip board screws

A	B	C	D	E	F	G	H	I	J	K	Item No.
45 mm	13 mm	21 mm	32 mm	8 mm	7 mm	18,5 mm	12 mm	5 mm	6,5 mm	4 mm	15.07.120
60 mm	13 mm	21 mm	47 mm	9 mm	7 mm	32 mm	12 mm	6 mm	7,5 mm	5 mm	15.07.121
70 mm	16 mm	26 mm	55 mm	11 mm	8 mm	34 mm	16 mm	7 mm	8 mm	5 mm	15.07.122
95 mm	19 mm	32 mm	75 mm	13,5 mm	10 mm	51,5 mm	17 mm	10 mm	10 mm	6 mm	15.07.123



# HINGES

## ELU TABLE HINGE 180°



Material: Steel, Yellow Zinc Plated (YZP)  
 Over all Size: 85 mm x 46 mm

Panel Size X	Item No.	Panel Size X	Item No.
16 mm	# 15.80.110	23 mm	# 15.80.145
18 mm	# 15.80.120	25 mm	# 15.80.155
19 mm	# 15.80.125	30 mm	# 15.80.170
20 mm	# 15.80.130	32 mm	# 15.80.025 (BPL)
22 mm	# 15.80.140		

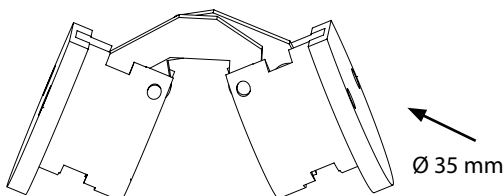
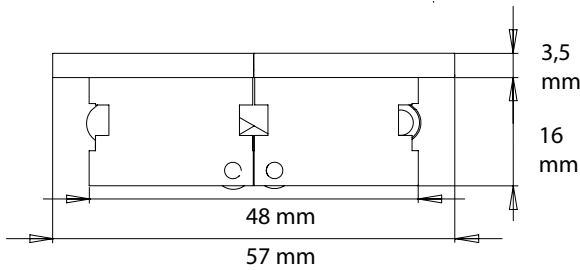
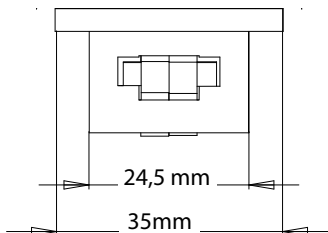
Spacer For Panel Thickness Reduction = SFPTR\*

SFPTR*	Item No.	SFPTR*	Item No.
1 mm	# 15.80.000	2 mm	# 15.80.001

The Spacer gives you the possibility to operate with only one hinge size even though you use different panel thicknesses in your production.

Example given: Take a Hinge for 18 mm panel thicknesses and add a 2 mm spacer. Now you can use the hinge for 16 mm panel thickness.

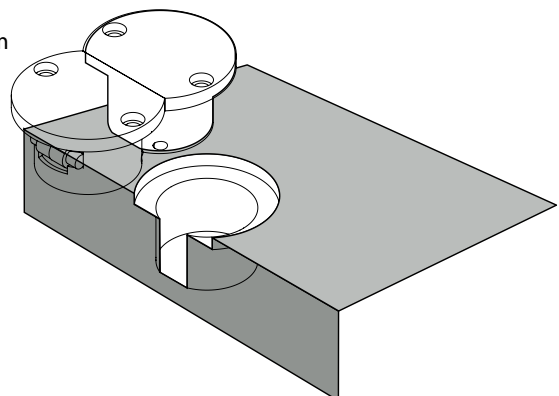
## TABLE FLAP HINGE - f/ 22 mm PANEL - 180°



Material:  
 Body: Nylon  
 Linkage: Zamak  
 Bore Size: Ø 35 mm and Ø 25 mm  
 Hole Depth: 19 mm

Finish

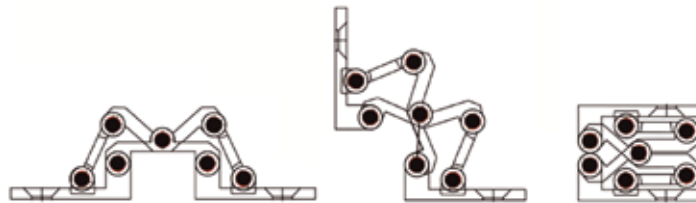
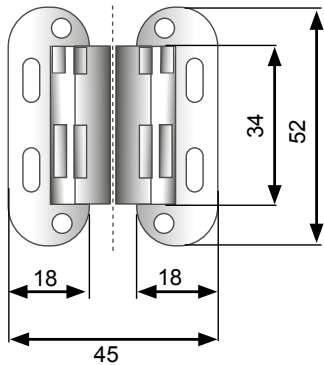
Body:	Linkage:	Item No.
Beige	Yellow Zinc	# 15.80.200
Black	Black Zinc	# 15.80.201





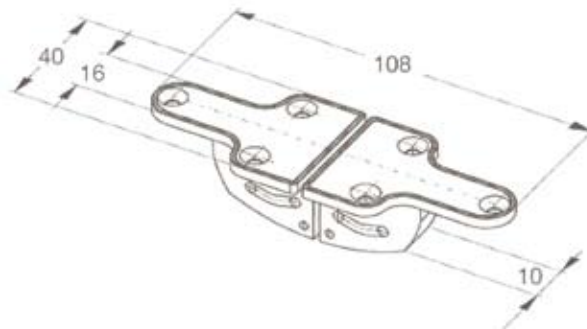
## SEPA HINGE 180°

Material:	Zamak
Panel thickness:	Min. 26 mm
Size:	52 x 18 x 2 mm
Item No.	# 15.04.076



## TABLE FLAP HINGE "ZAMAK"

Material:	Body:	Zamak, Yellow Zinc Plated
	Linkage:	Steel, Yellow Zinc Plated
Over all size:	108 x 40 x 3 mm	
Panel size:	20 mm	# 15.80.175
Panel size:	27 mm	# 15.80.180



# NOTES

.....

.....

.....

.....

.....

.....

.....

.....

.....

.....

.....

.....

.....

.....

.....

.....

.....

.....

.....

.....

.....

.....

.....

.....





*- high quality furniture fittings*

**SISO A/S**

Mileparken 11 Phone: (+45) 45 830 900  
DK - 2740 Skovlunde (Copenhagen) Fax: (+45) 45 830 444  
Denmark E-mail: [siso@siso.dk](mailto:siso@siso.dk) Web: [www.siso.dk](http://www.siso.dk)