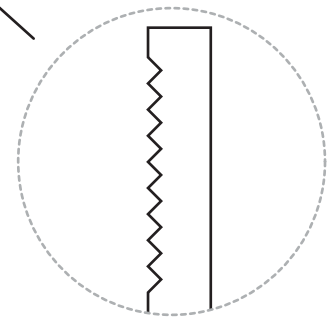
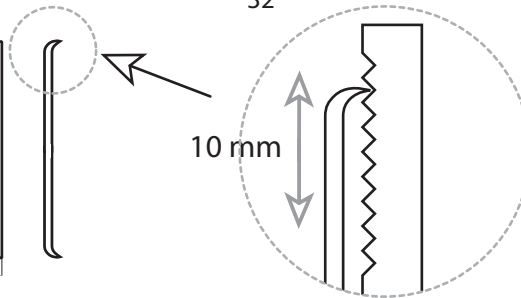
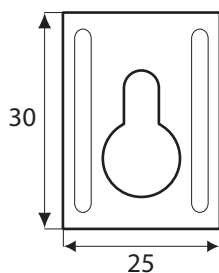
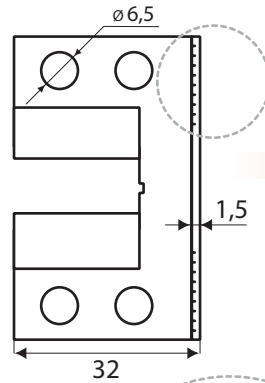
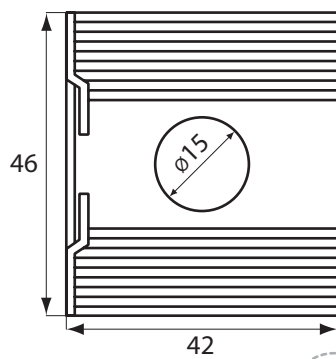
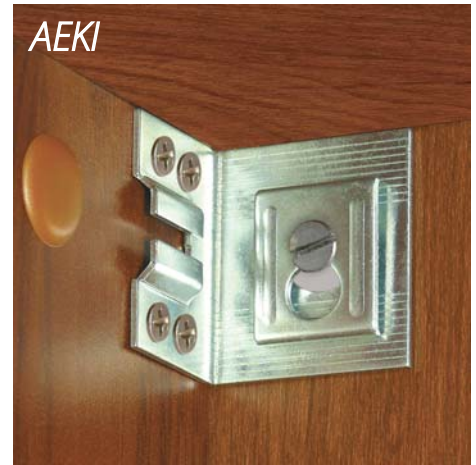
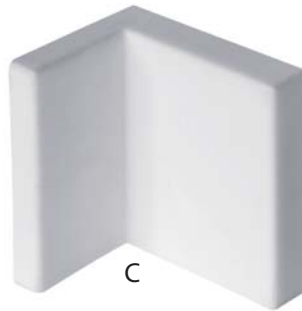
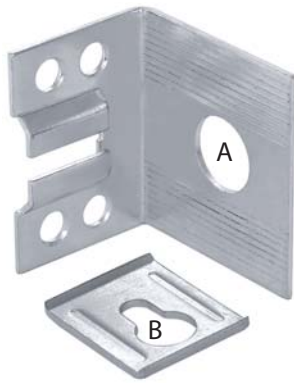


# CABINET SUSPENSION

## FITTING "AEKI" # 22.08.000 with white cover cap

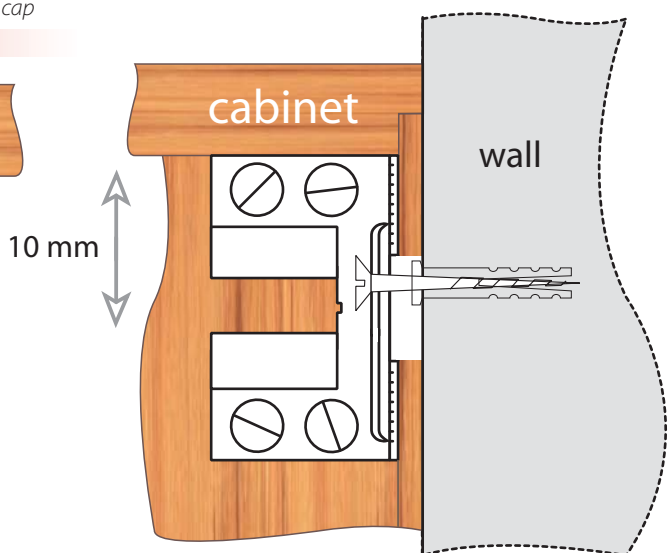
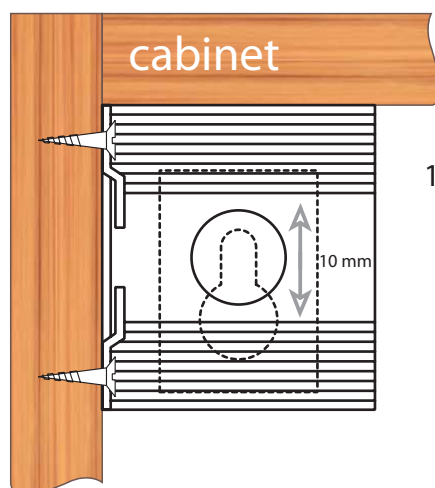


### Mounting instruction:

- Fasten part "A" to the top corners of the cabinet
- Mark on the wall the point for drilling inside the round hole "A"
- Place the cabinet onto the wall with round holes of part "A" to be placed onto the screws already premounted in the wall
- Place part "B" onto the screws and onto the part "A" as illustrated
- Tighten the wall screw and hide part "A/B" with cover cap

### Material:

- Steel zinc plated
- Cover cap plastic white  
– other colours upon request



furniture fittings