

Drawer
SLIDES

for steel & wood cabinets



- high quality furniture fittings





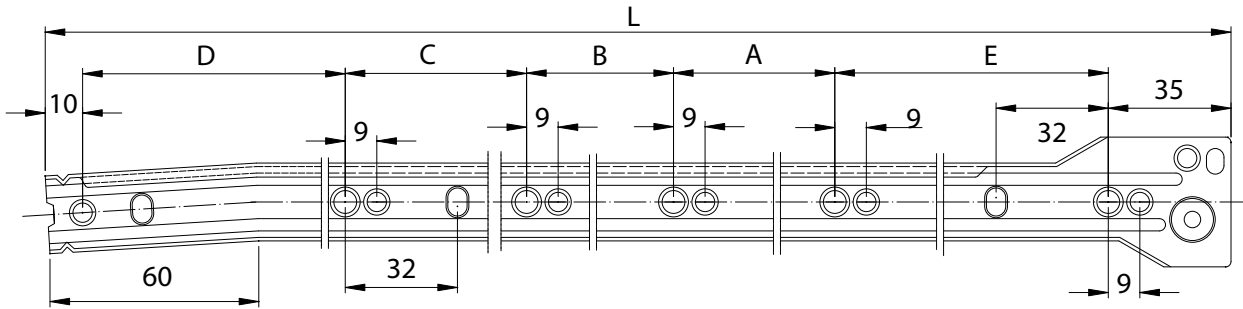
SISO A/S
MILEPARKEN 11
DK - 2740 SKOVLUNDE
(COPENHAGEN)
DENMARK
PHONE: (+45) 45 830 900
FAX: (+45) 45 830 444

DISTRIBUTOR

DRAWER SLIDE 6001	4
DRAWER SLIDE 8817	6
DRAWER SLIDE 8827	8
DRAWER SLIDE 8827 W/ STOPPER & LEVER RELEASE	10
DRAWER SLIDE NJ 3600	12
DRAWER SLIDE NJ 4500	14
DRAWER SLIDE ME 4500 F/ METAL CABINETS	16
DRAWER SLIDE ME 4950 F/ METAL CABINETS	18
DRAWER SLIDE - PUSH TO OPEN - PTO 4500	20
DRAWER SLIDE SELF-CLOSING & SOFT STOP	22
INVISIBLE SLIDE SEMI EXTENSION W/PEG LEVELLER	24
INVISIBLE SLIDE FULL EXTENSION W/PEG LEVELLER	26
INVISIBLE SLIDE FULL EXTENSION W/QUICK RELEASE	28
DRAWER SLIDE NJ 2060	30
KEYBOARD DRAWER "PROFI"	32
KEYBOARD DRAWER "PROFI W/MOUSE PAD"	33
KEYBOARD DRAWER "444"	34
PENCIL TRAYS	35
PENCIL TRAYS & CD/DVD-HOLDER	36
TELEPHONE STAND	37

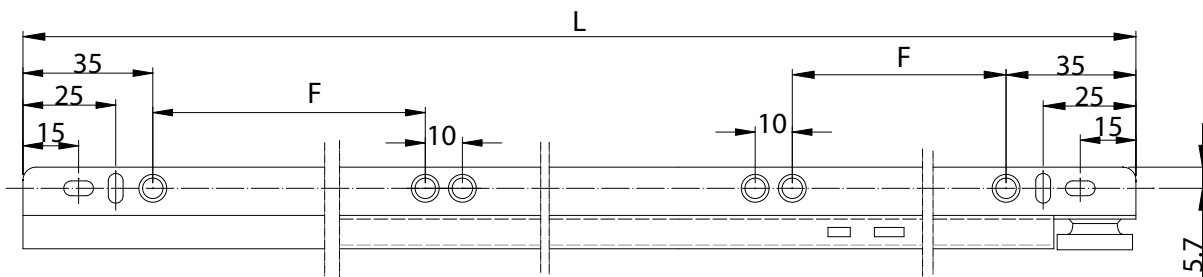


Cabinet rail



Slide length L	A	B	C	D	E	Finish	Item No.
250 mm				45 mm		White	# 16.10.439
300 mm			96 mm	31 mm	128 mm	White	# 16.10.440
350 mm			96 mm	81 mm	128 mm	White	# 16.10.452
400 mm	96 mm		96 mm	35 mm	128 mm	White	# 16.10.470
450 mm	96 mm		128 mm	53 mm	128 mm	White	# 16.10.475
500 mm	96 mm	128 mm	64 mm	39 mm	128 mm	White	# 16.10.480
550 mm	96 mm	128 mm	128 mm	25 mm	128 mm	White	# 16.10.490
600 mm	96 mm	128 mm	128 mm	75 mm	128 mm	White	# 16.10.500

Drawer rail (seen from the top)



Slide length L	F	Finish	Item No.
250 mm	85 mm	White	# 16.10.439
300 mm	110 mm	White	# 16.10.440
350 mm	135 mm	White	# 16.10.452
400 mm	160 mm	White	# 16.10.470
450 mm	185 mm	White	# 16.10.475
500 mm	210 mm	White	# 16.10.480
550 mm	235 mm	White	# 16.10.490
600 mm	172 mm	White	# 16.10.500



DRAWER SLIDE 6001

- high quality furniture fittings

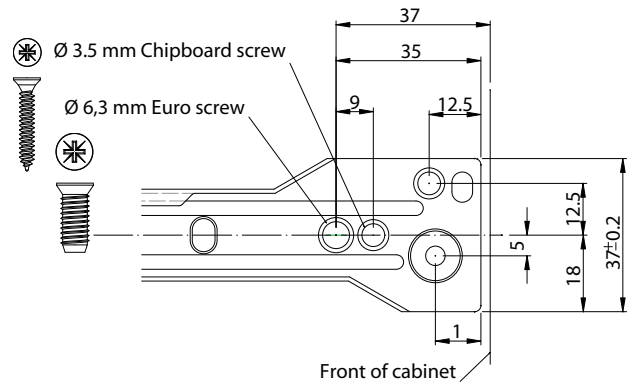
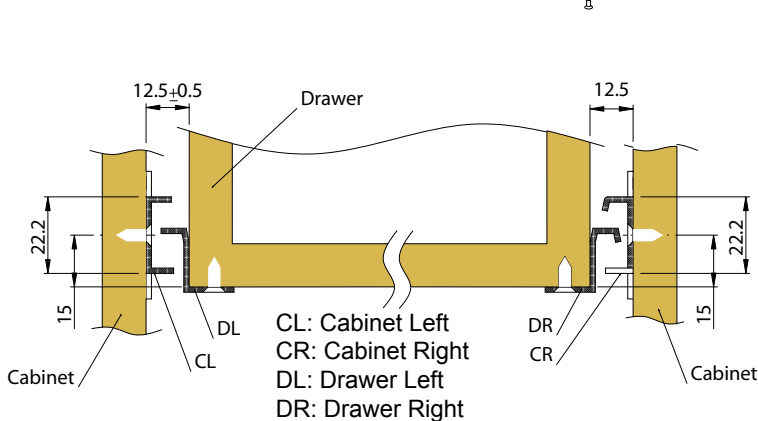
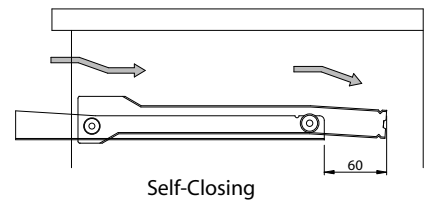
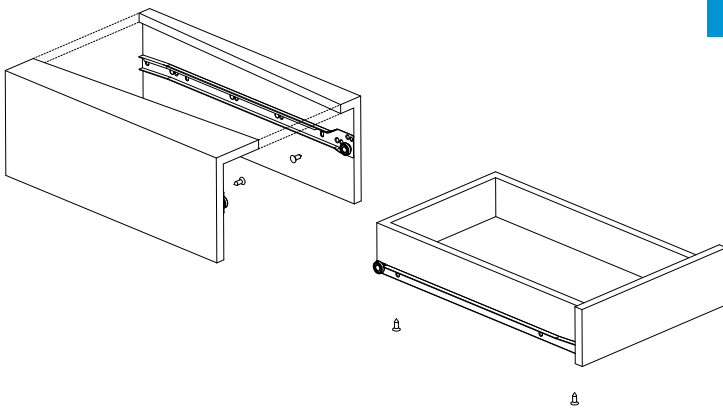


DRAWER SLIDE 6001

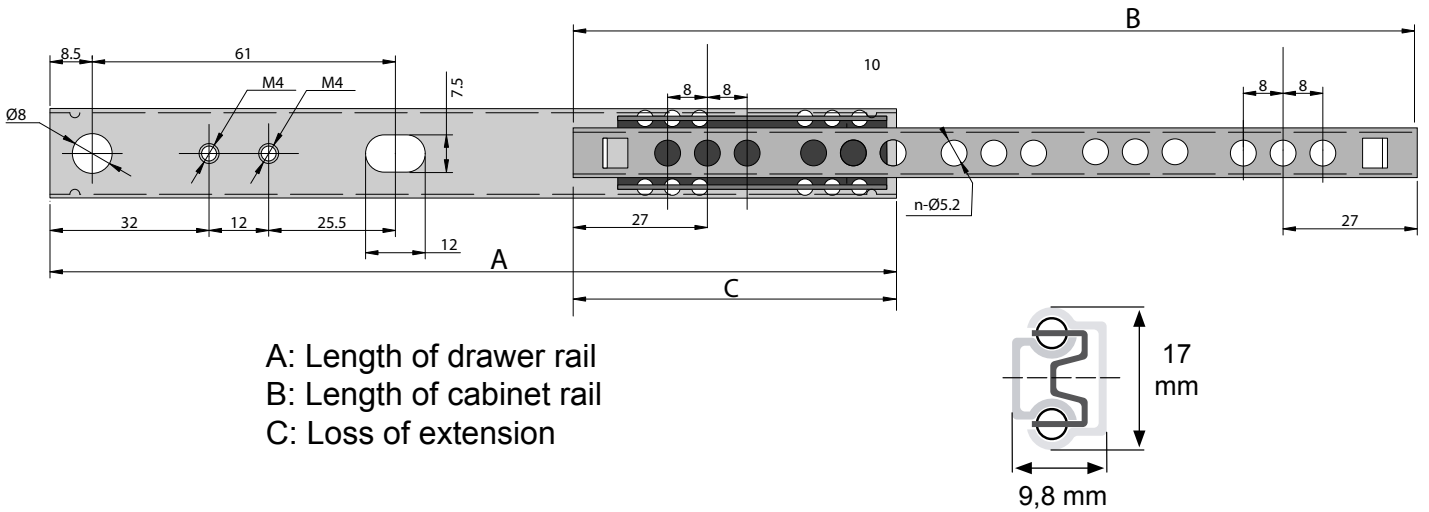
- Features:** Self closing the last 60 mm
Bottom mounted – ¾ extension
- Material:** Steel - 1,2 mm after coating
- Finish:** Epoxy powder coated
- Colour:** White RAL 9003,
Black RAL 9005,
Brown RAL 8017 &
Silver RAL 9006

Other colours on request
- Size:** From 250 to 600 mm
- Load capacity:** 30 Kg.
- Fixation:** Euro screws \varnothing 6,3 mm or
chipboard screws \varnothing 3,5 mm

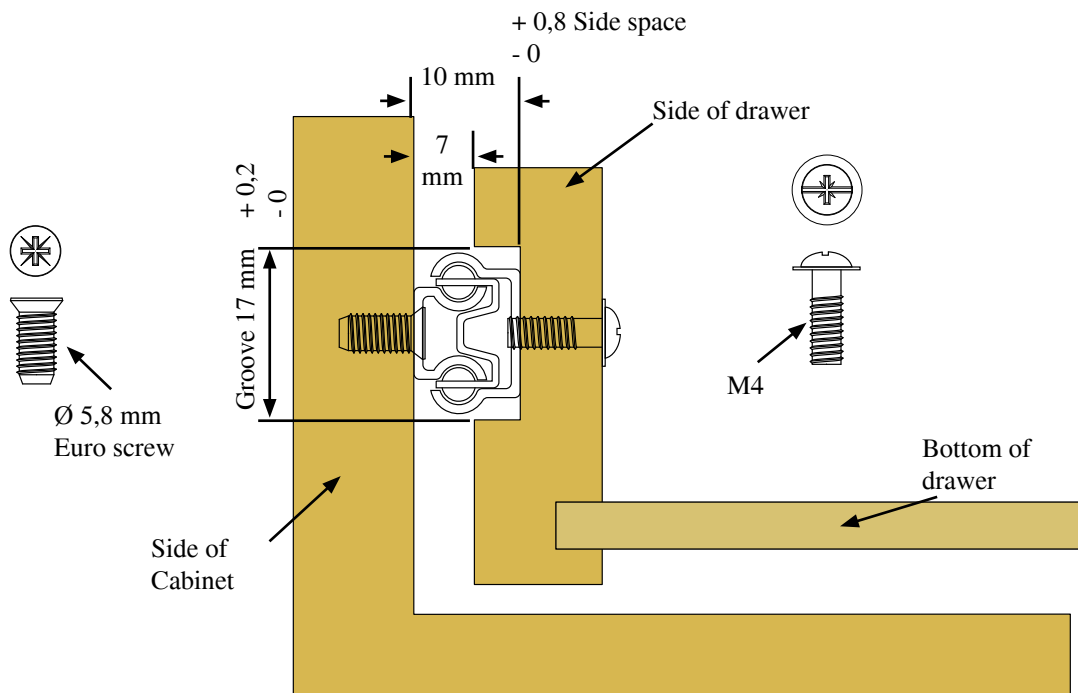
(Screws available on request)



DRAWER SLIDE 8817



Max. drawer length	A	B	C	Finish	Item No.
313 mm	182 mm	182 mm	50 mm	BZP	# 16.10.260
347 mm	214 mm	214 mm	79 mm	BZP	# 16.10.261
410 mm	246 mm	246 mm	79 mm	BZP	# 16.10.266
458 mm	278 mm	278 mm	93 mm	BZP	# 16.10.276
521 mm	310 mm	310 mm	93 mm	BZP	# 16.10.277
586 mm	342 mm	342 mm	96 mm	BZP	# 16.10.279
780 mm	438 mm	438 mm	96 mm	BZP	# 16.10.281



DRAWER SLIDE 8817

- high quality furniture fittings



DRAWER SLIDE 8817

Features: Side mounted - $\frac{3}{4}$ extension
Two way travel
Steel ball bearings

Material: Steel – 0,8 mm

Finish: Bright zinc plated (BZP)

Size: From 313 to 780 mm

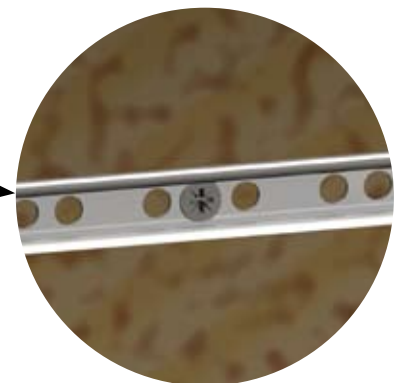
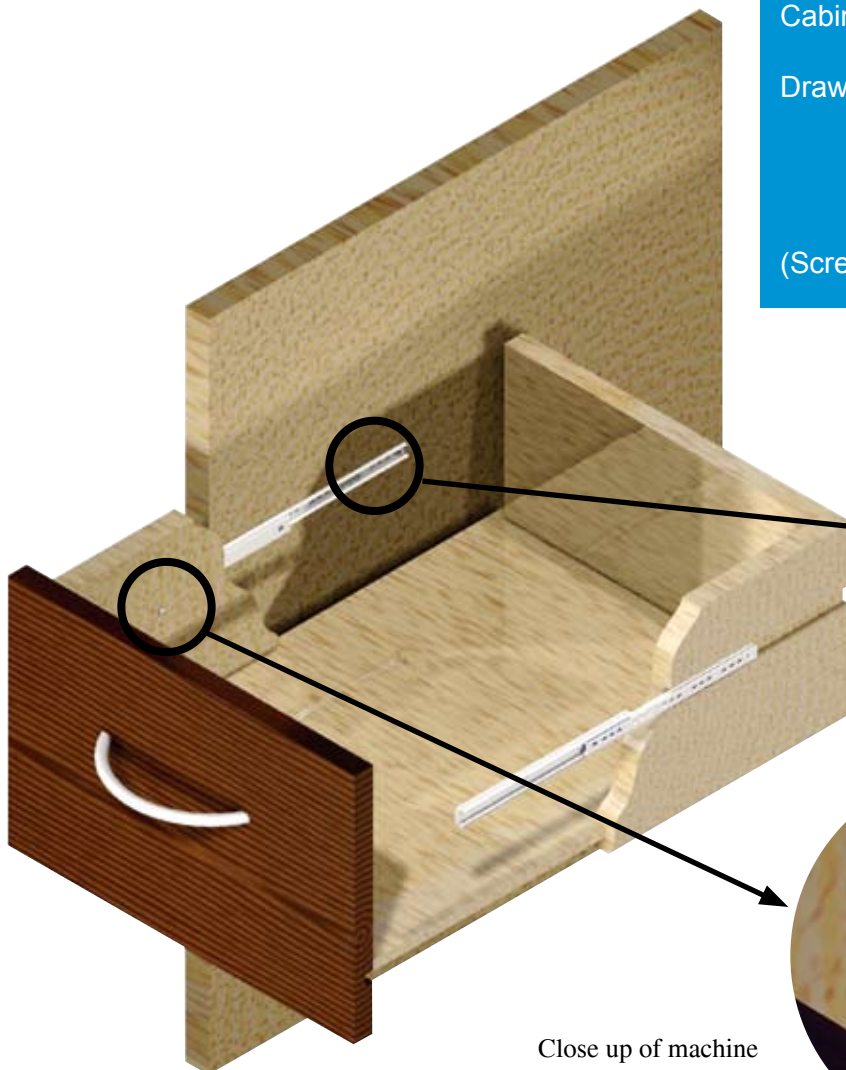
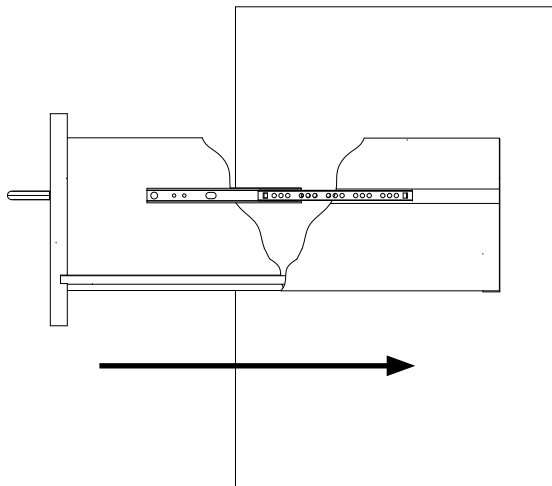
Load capacity: 10 Kg.

Fixation:

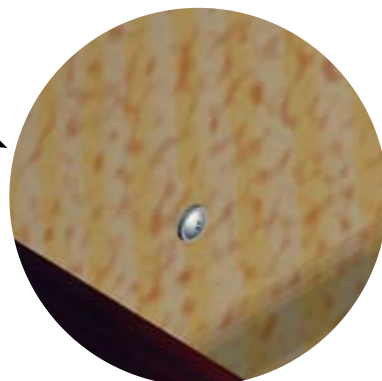
Cabinet rail: Euro screws \varnothing 5,8 mm

Drawer rail: Machine screws M4.
Two fixing holes available.
32mm & 44 mm from edge of slide

(Screws available on request)

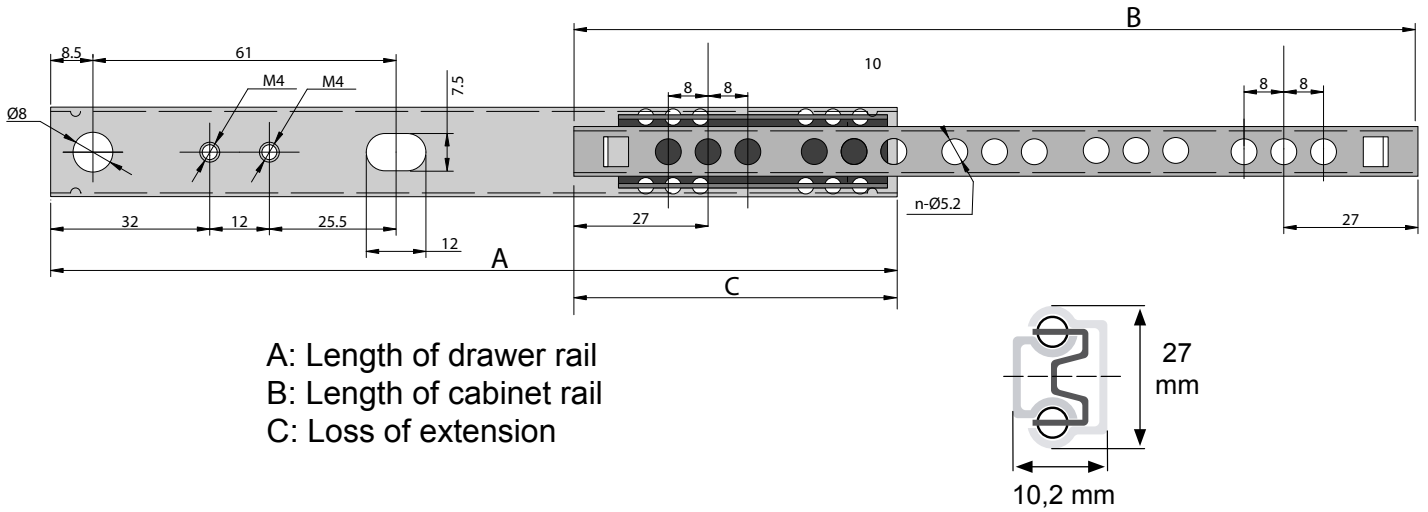


Close up of euro screw

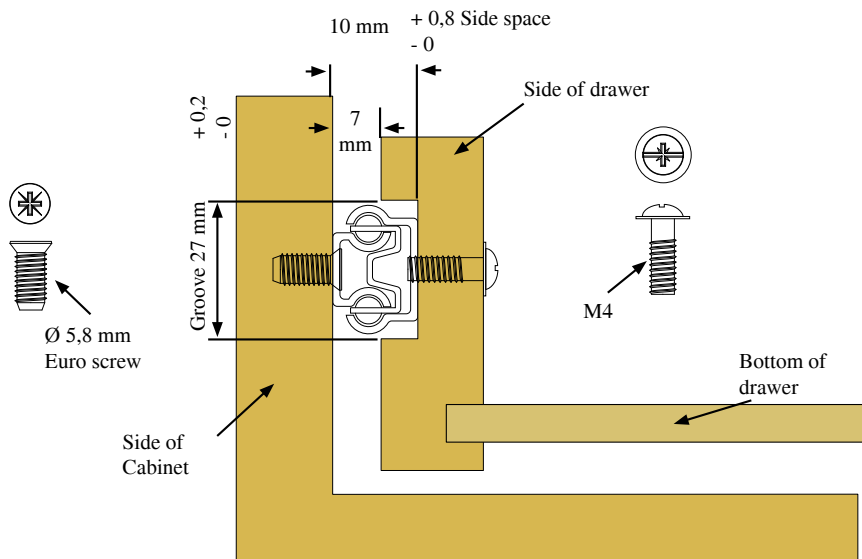


Close up of machine screw

DRAWER SLIDE 8827



Max.drawer length	A	B	C	Finish	Item No.
313 mm	182 mm	182 mm	48 mm	BZP	# 16.10.031
380 mm	214 mm	214 mm	48 mm	BZP	# 16.10.032
420 mm	246 mm	246 mm	72 mm	BZP	# 16.10.033
484 mm	278 mm	278 mm	72 mm	BZP	# 16.10.034
548 mm	310 mm	310 mm	72 mm	BZP	# 16.10.035
588 mm	342 mm	342 mm	96 mm	BZP	# 16.10.036
756 mm	438 mm	438 mm	120 mm	BZP	# 16.10.039



DRAWER SLIDE 8827

- high quality furniture fittings



DRAWER SLIDE 8827

Features: Side mounted - $\frac{3}{4}$ extension
Two way travel
Steel ball bearings

Material: Steel – 1,2 mm

Finish: Bright zinc plated (BZP)

Size: From 313 to 756 mm

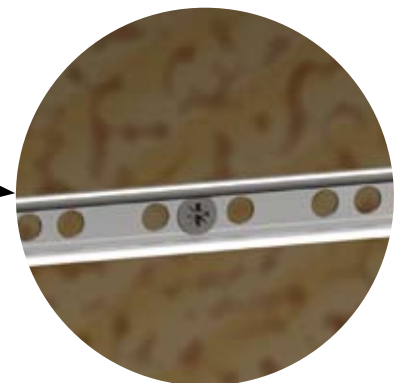
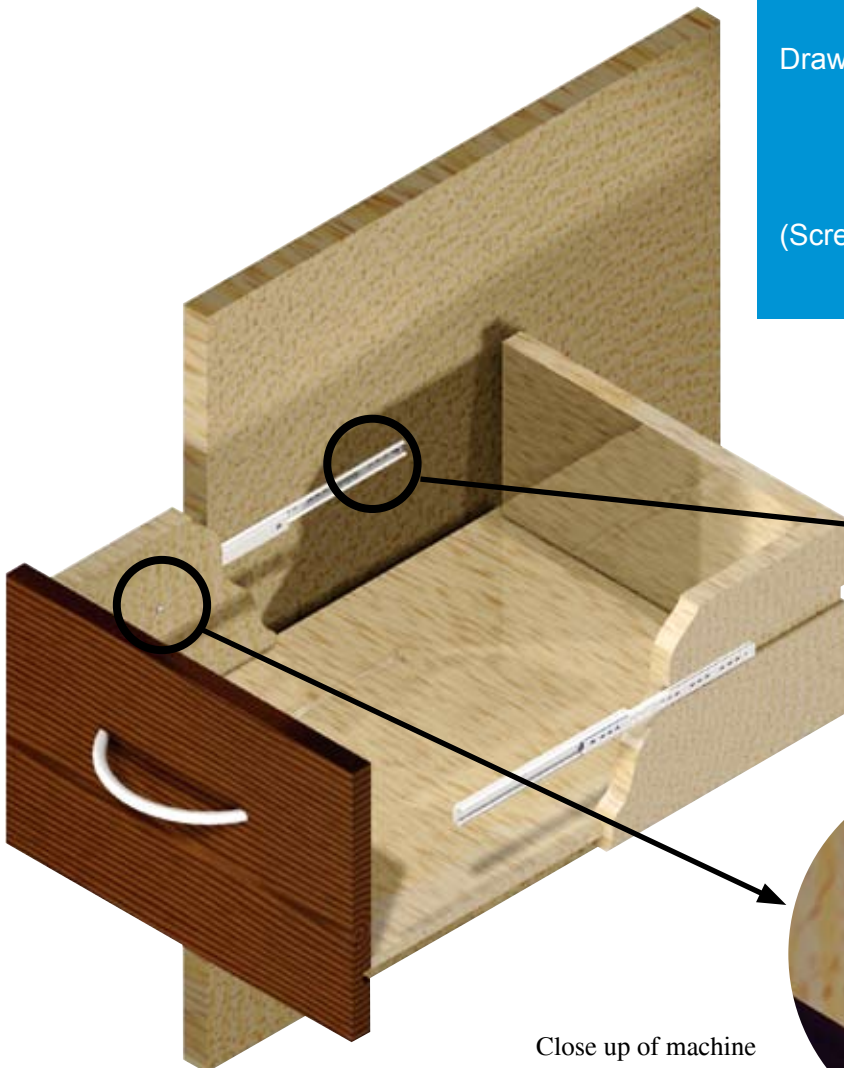
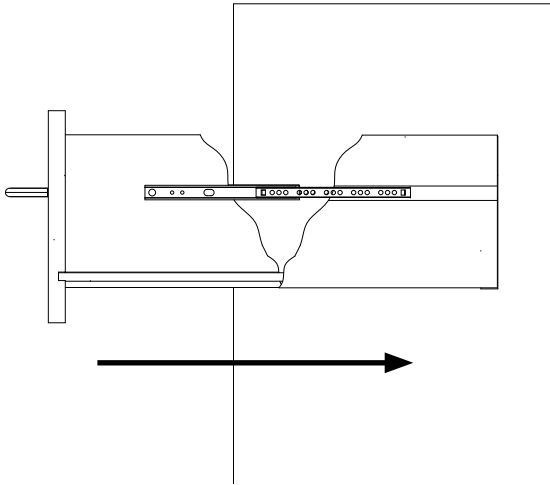
Load capacity: 15 Kg.

Fixation:

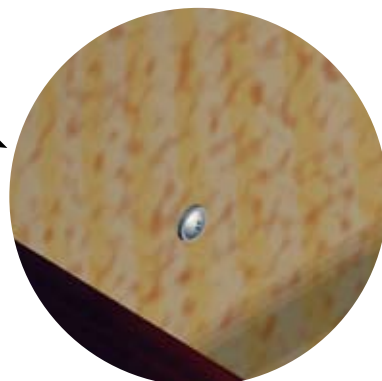
Cabinet rail: Euro screws \varnothing 5,8 mm

Drawer rail: Machine screws M4.
Two fixing holes available.
32mm & 44 mm from edge of slide

(Screws available on request)

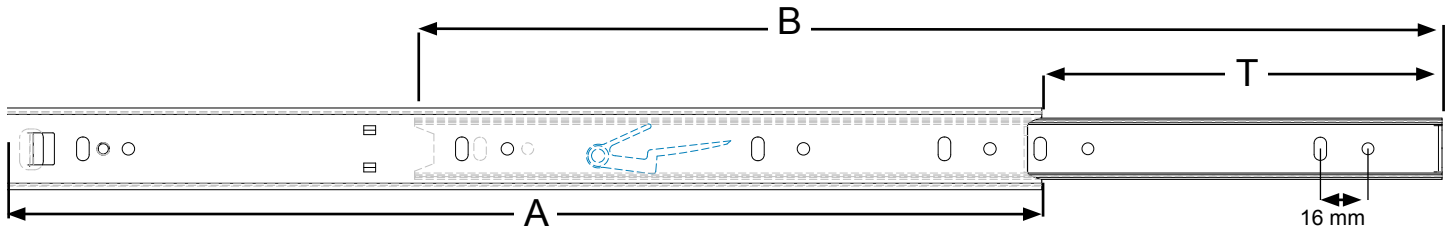


Close up of euro screw

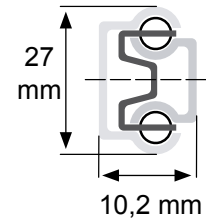


Close up of machine screw

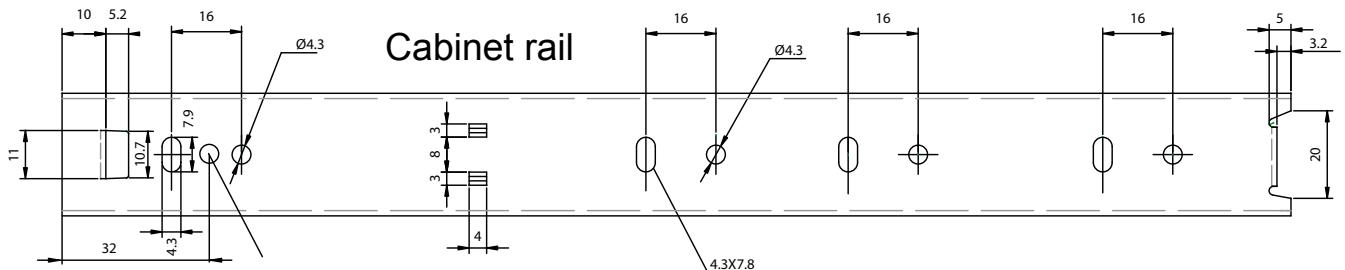
DRAWER SLIDE 8827 W/ STOPPER & LEVER RELEASE



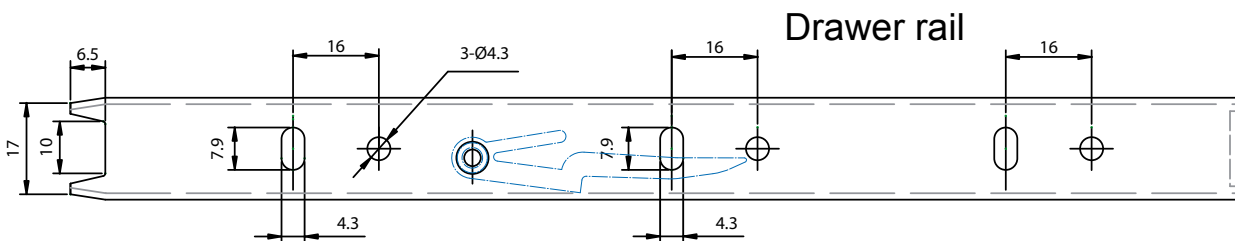
A: Length of cabinet rail
B: Length of drawer rail



Slide length A	B	Travel length T	Finish	Item No.
250 mm	246,5 mm	166 mm	BZP	# 16.10.045
300 mm	296,5 mm	216 mm	BZP	# 16.10.046
350 mm	346,5mm	254 mm	BZP	# 16.10.047
400 mm	396,5 mm	279 mm	BZP	# 16.10.048
450 mm	446,5 mm	305 mm	BZP	# 16.10.049
500 mm	496,5 mm	330 mm	BZP	# 16.10.050
550 mm	546,5 mm	355 mm	BZP	# 16.10.051
600 mm	596,5 mm	381 mm	BZP	# 16.10.052
650 mm	646,5 mm	406 mm	BZP	# 16.10.053
700 mm	696,5 mm	432 mm	BZP	# 16.10.054

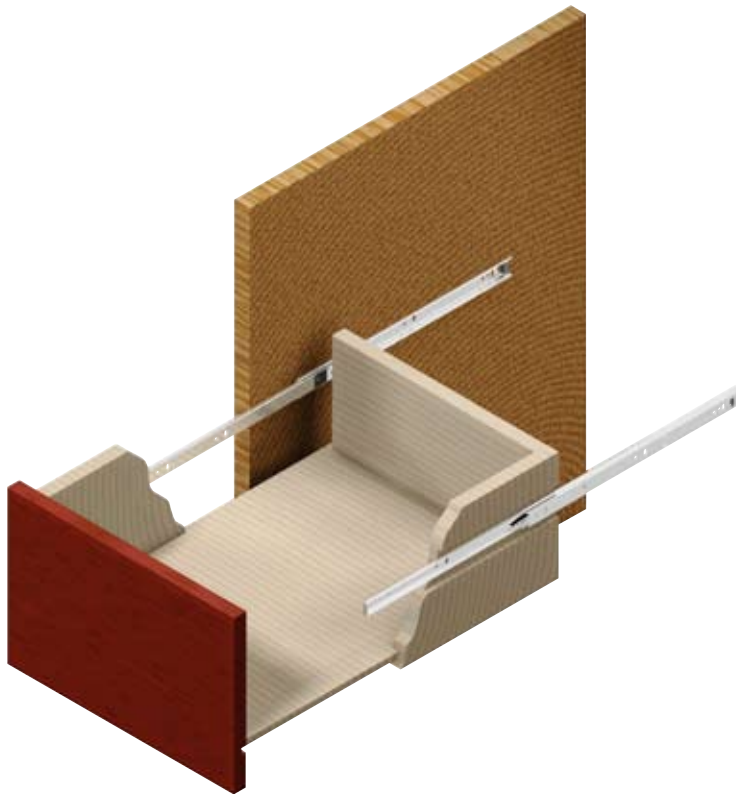


*Extra mounting hole
M4 for extra stability





DRAWER SLIDE 8827 W/ STOPPER & LEVER RELEASE



Features: Side mounted – ¾ extension
Locking action, when closed
Steel ball bearings
Release lever

Material: Steel – 1,2 mm

Finish: Bright zinc plated (BZP)

Size: From 250 to 700 mm

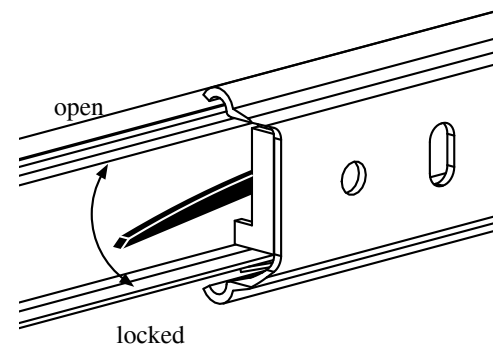
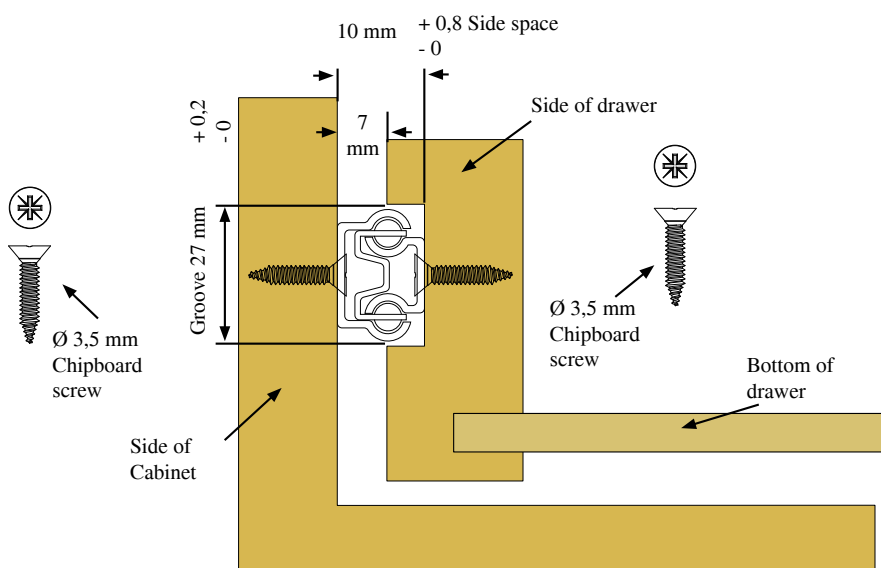
Load capacity: 15 kg

Fixation:

Cabinet rail: Chipboard screws \varnothing 3,5 mm and machine screws M4 for extra stability

Drawer rail: Chipboard screws \varnothing 3,5 m

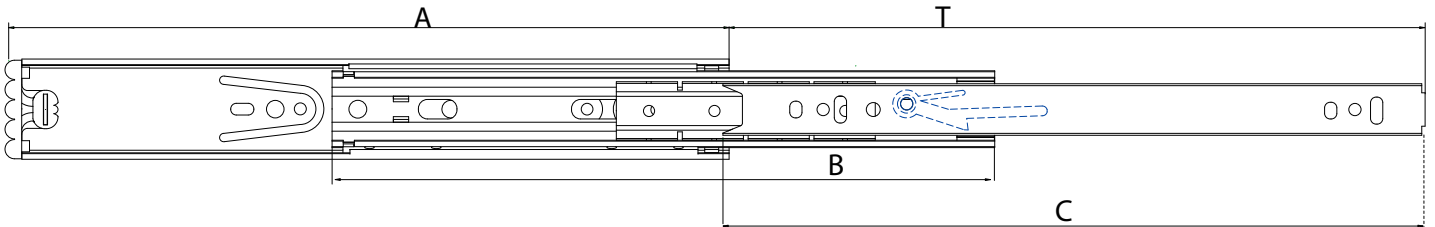
(Screws available on request)



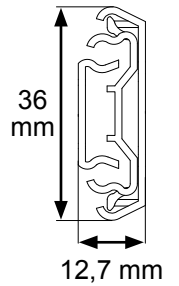
Release lever

To detach drawer rail from centre rail

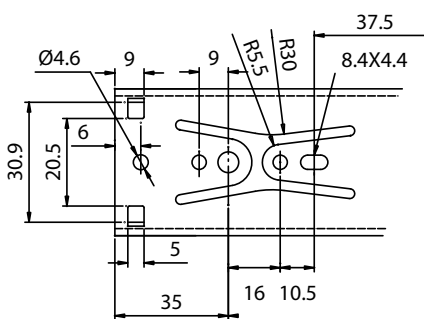
DRAWER SLIDE NJ 3600



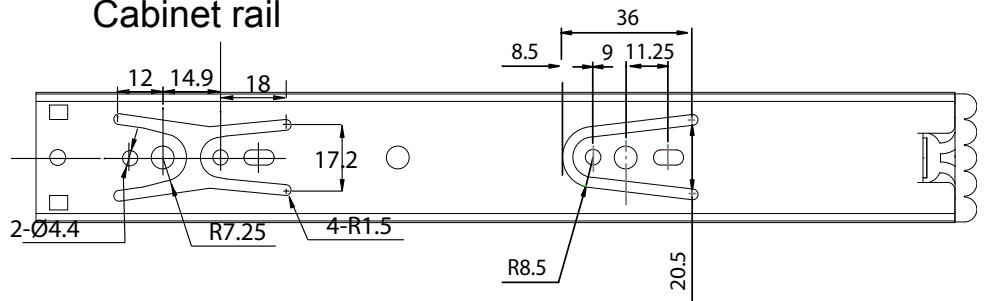
- A: Length of cabinet rail
- B: Length of centre rail
- C: Length of drawer rail



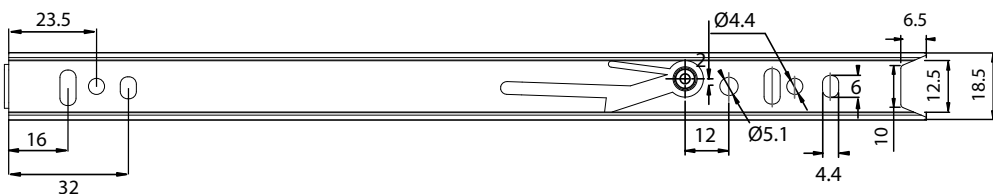
Slide length A	B	C	Travel length T	Finish	Item No.
254 mm	238 mm	252 mm	254 mm	BZP	# 16.13.190
305 mm	289 mm	303 mm	305 mm	BZP	# 16.13.191
356 mm	339 mm	354 mm	355 mm	BZP	# 16.13.192
406 mm	390 mm	405 mm	406 mm	BZP	# 16.13.193
457 mm	441 mm	456 mm	457 mm	BZP	# 16.13.194
508 mm	492 mm	506 mm	508 mm	BZP	# 16.13.195
559 mm	543 mm	557 mm	559 mm	BZP	# 16.13.196
610 mm	593 mm	608 mm	609 mm	BZP	# 16.13.197
660 mm	644 mm	659 mm	660 mm	BZP	# 16.13.198
711 mm	695 mm	710 mm	711 mm	BZP	# 16.13.199

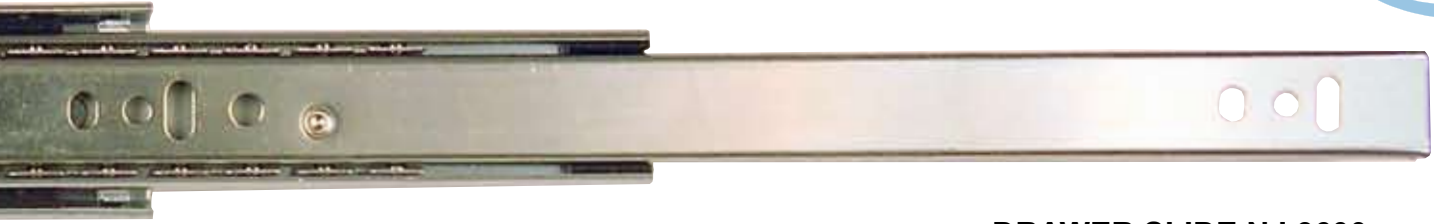


Cabinet rail



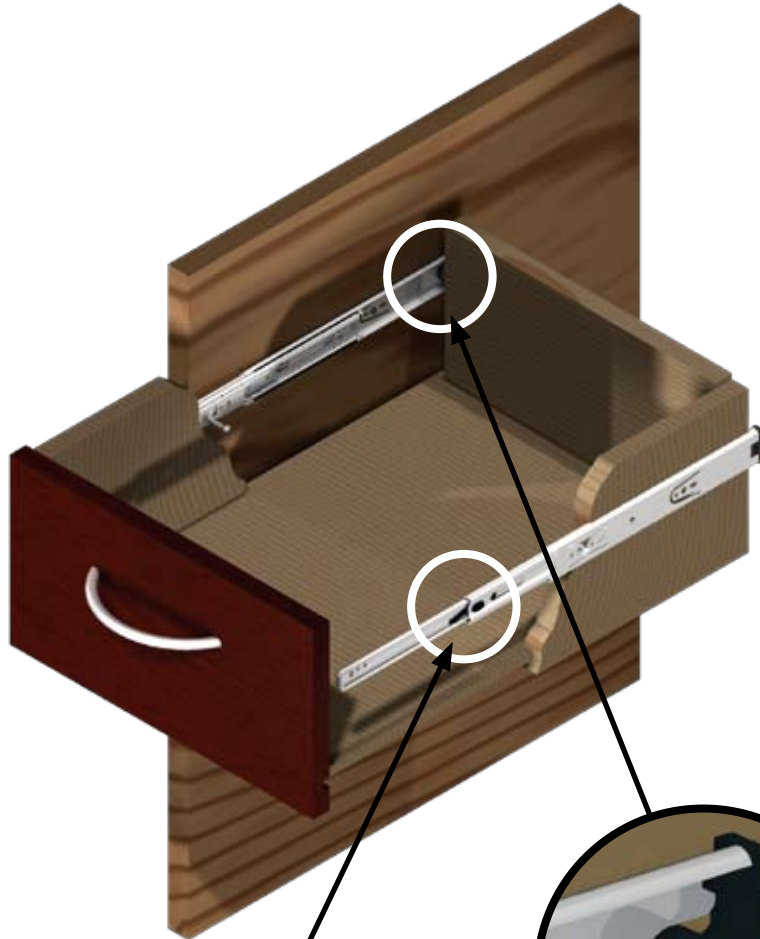
Drawer rail





DRAWER SLIDE NJ 3600

- Features: Side mounted
Full extension
32 mm hole system
Steel ball bearings
Locking action, when closed
Release lever
- Material: Cold rolled steel – 1,2 mm
- Finish: Bright zinc plated (BZP)
- Size: From 254 mm to 711 mm
- Load capacity: 40 kg
- Fixation: Chipboard screws \varnothing 4 mm
(Screws available on request)

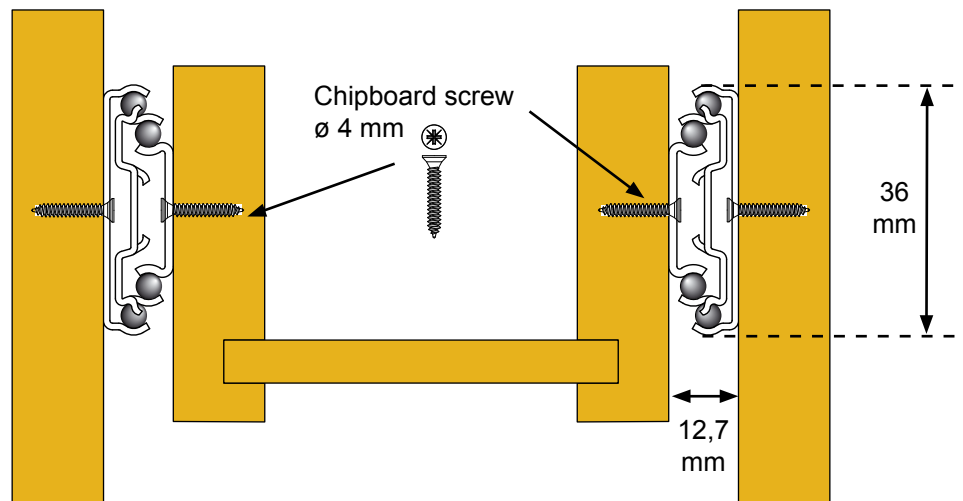


Stopper

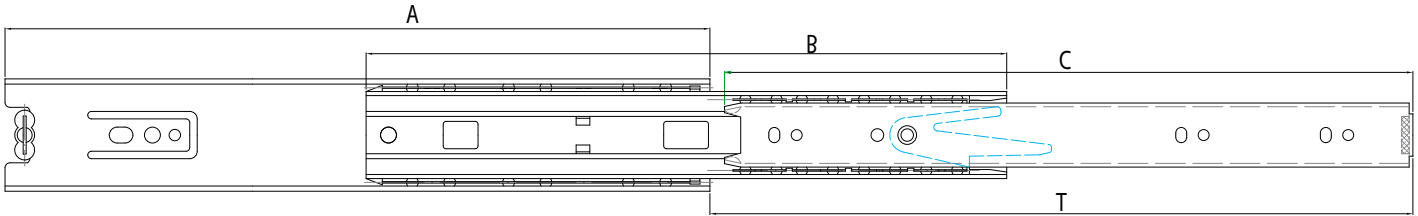
Plastic stopper for locking action, when closed



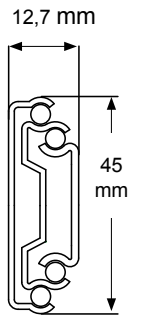
Release lever
To detach drawer rail from centre rail



DRAWER SLIDE NJ 4500

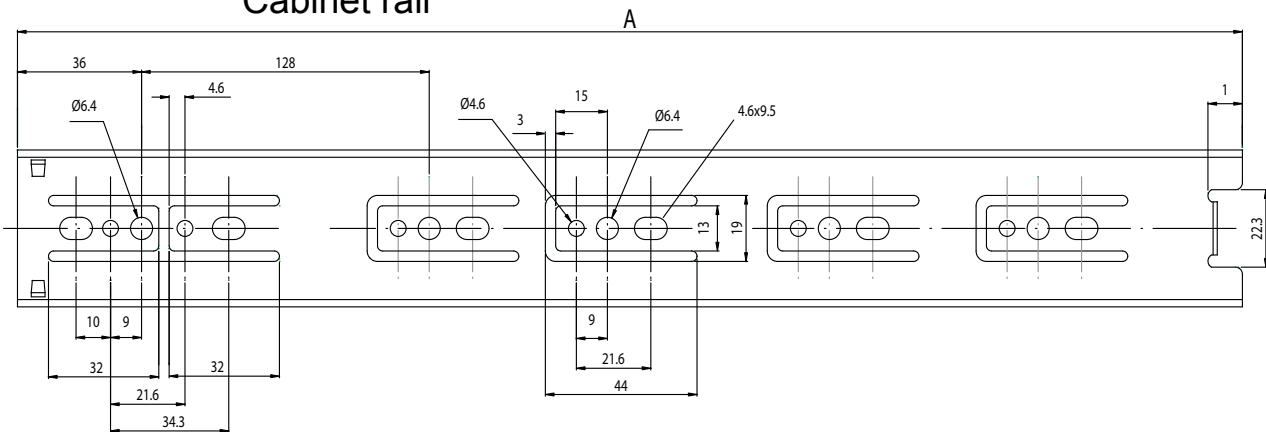


- A: Length of cabinet rail
- B: Length of centre rail
- C: Length of drawer rail

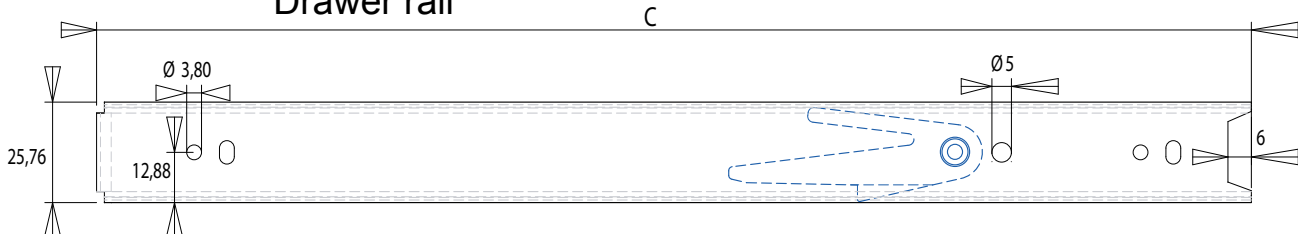


Slide length A	B	C	Travel length T	Finish	Item No.
300 mm	284 mm	296 mm	310 mm	Black	# 16.13.212
350 mm	334 mm	346 mm	360 mm	Black	# 16.13.222
400 mm	384 mm	398 mm	410 mm	Black	# 16.13.232
450 mm	435 mm	448 mm	462 mm	Black	# 16.13.242
500 mm	484 mm	497 mm	512 mm	Black	# 16.13.252
550 mm	532 mm	548 mm	559 mm	Black	# 16.13.262
600 mm	584 mm	597 mm	615 mm	Black	# 16.13.272
650 mm	634 mm	647 mm	662 mm	Black	# 16.13.282
700 mm	684 mm	696 mm	715 mm	Black	# 16.13.292

Cabinet rail

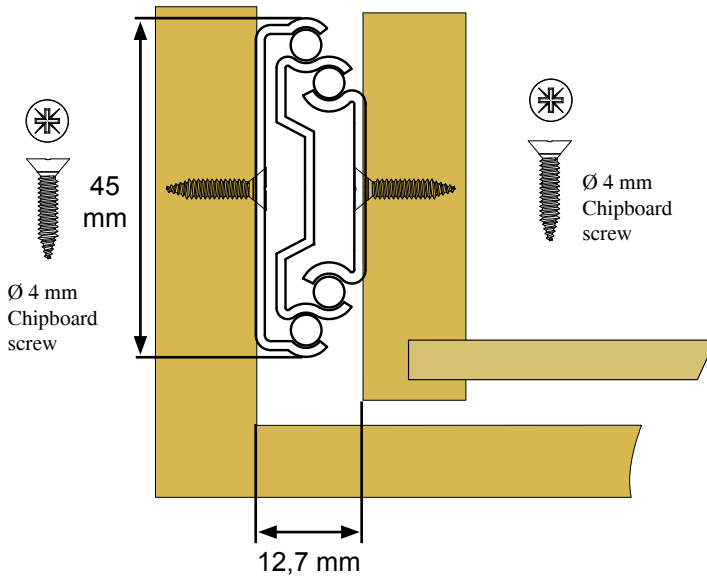


Drawer rail





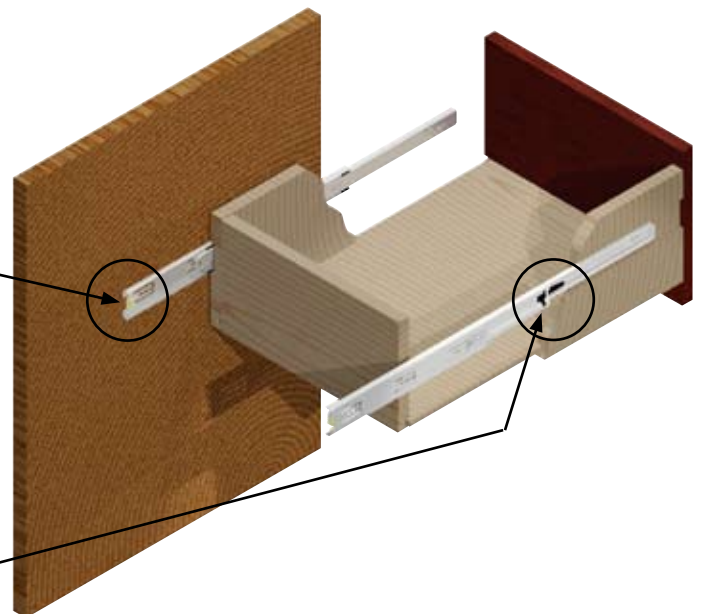
DRAWER SLIDE NJ 4500



Features:	Side mounted Full extension 32 mm hole system Steel ball bearings Locking action, when closed Release lever
Material:	Cold rolled steel – 1,2 mm
Finish:	Black zinc plated or bright zinc plated
Size:	From 300 to 700 mm
Load capacity:	45 kg
Fixation:	Chipboard screws ø 4 mm
(Screws available on request)	

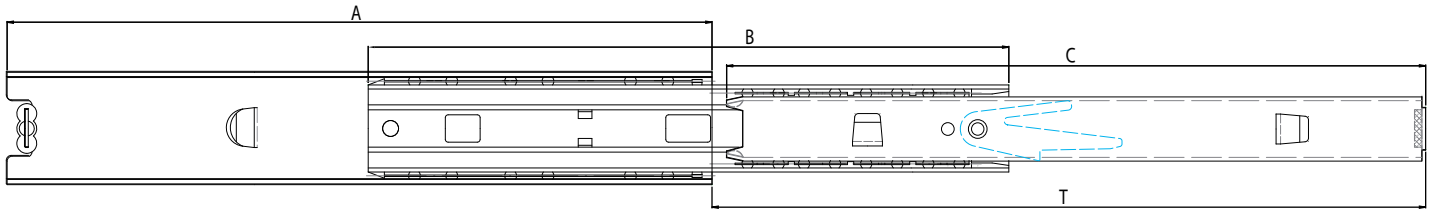


Stopper
Plastic stopper for locking action, when closed

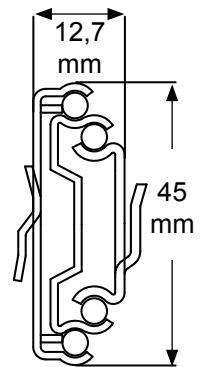


Release lever
To detach drawer rail from centre rail

DRAWER SLIDE ME 4500 F/ METAL CABINETS

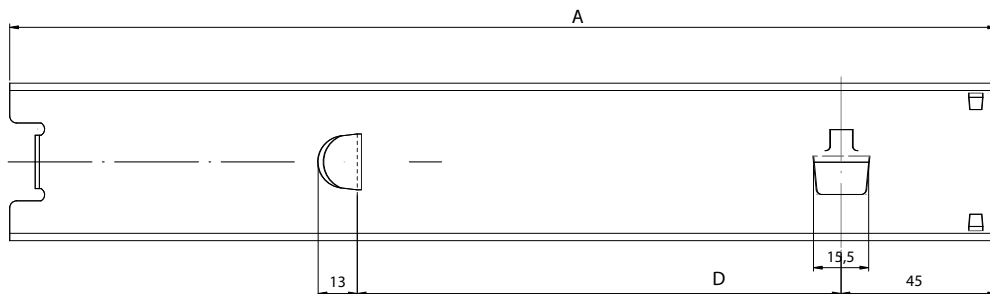


- A: Length of cabinet rail
- B: Length of centre rail
- C: Length of drawer rail
- D: Distance between hooks for cabinet & drawer mounting

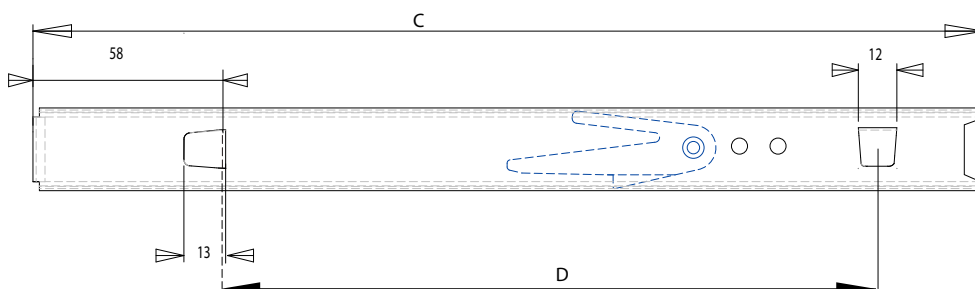


Slide length A	B	C	Travel length T	D	Finish	Item No.
300 mm	284 mm	296 mm	310 mm	206 mm	Black	# 16.13.306
350 mm	334 mm	346 mm	360 mm	256 mm	Black	# 16.13.307
400 mm	384 mm	398 mm	410 mm	256 mm	Black	# 16.13.308
450 mm	435 mm	448 mm	462 mm	306 mm	Black	# 16.13.309
500 mm	484 mm	497 mm	512 mm	356 mm	Black	# 16.13.310
550 mm	532 mm	548 mm	559 mm	406 mm	Black	# 16.13.311
600 mm	584 mm	597 mm	615 mm	456 mm	Black	# 16.13.320
650 mm	634 mm	647 mm	662 mm	506 mm	Black	# 16.13.321
700 mm	684 mm	696 mm	715 mm	556 mm	Black	# 16.13.322

Cabinet rail



Drawer rail





DRAWER SLIDE ME 4500 f/metal cabinets

Features: Bayonet hooks
Side mounted
Full extension
Steel ball bearings
Locking action, when closed
Release lever

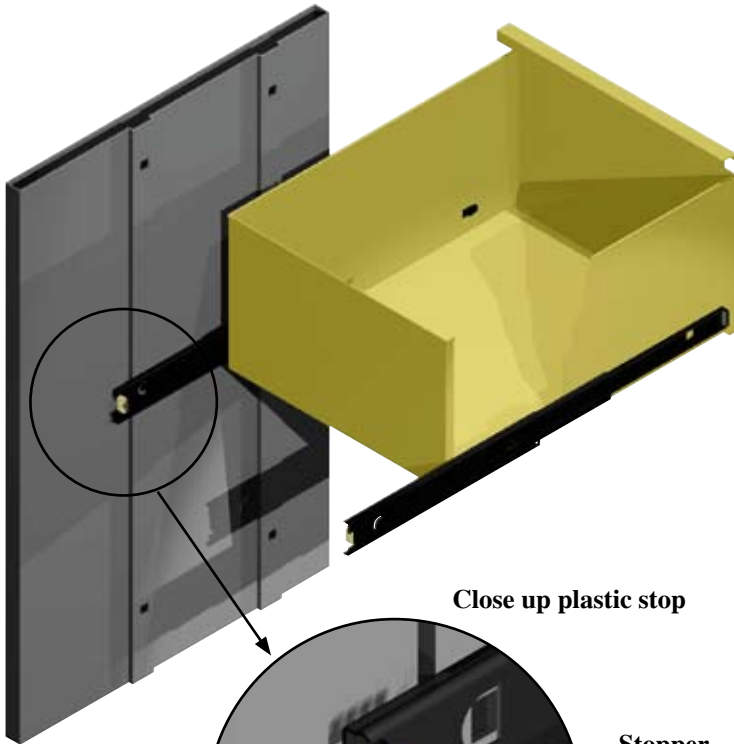
Material: Cold rolled steel – 1,2 mm

Finish: Black zinc plated or
bright zinc plated

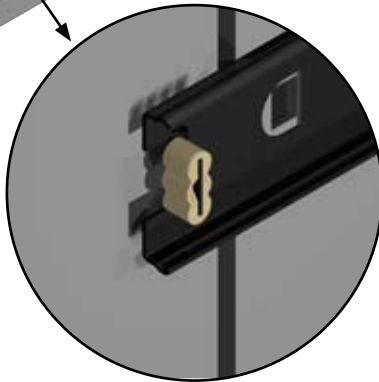
Size: From 300 to 700 mm

**Load
capacity:** 45 kg

Fixation: By use of pre-stamped
bayonet hooks

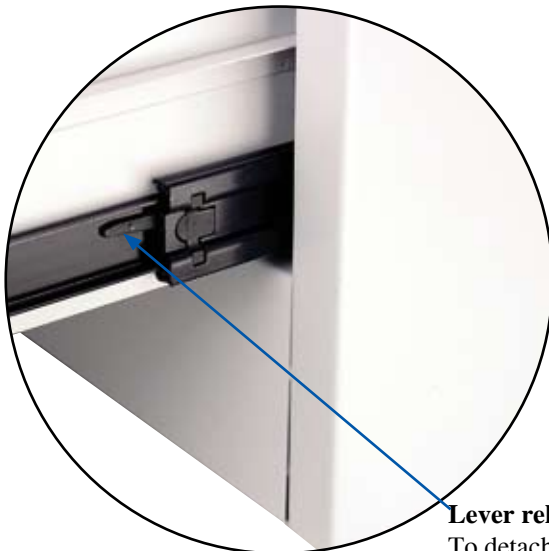


Close up plastic stop



Stopper

Plastic stopper for locking
action, when closed



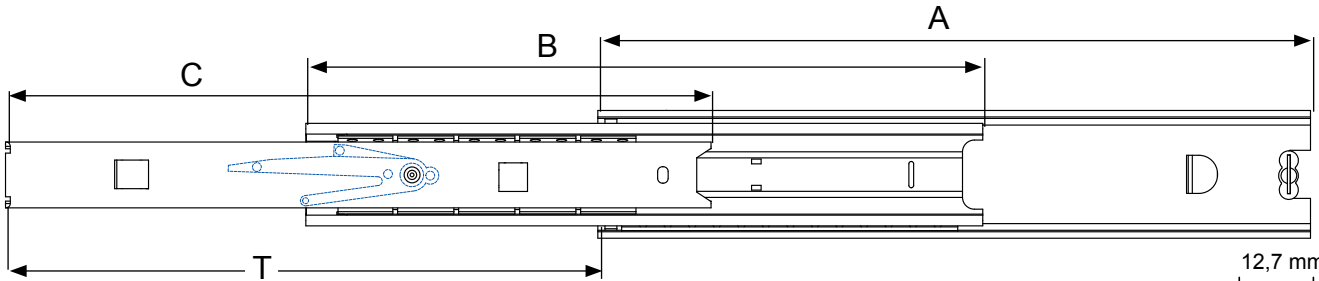
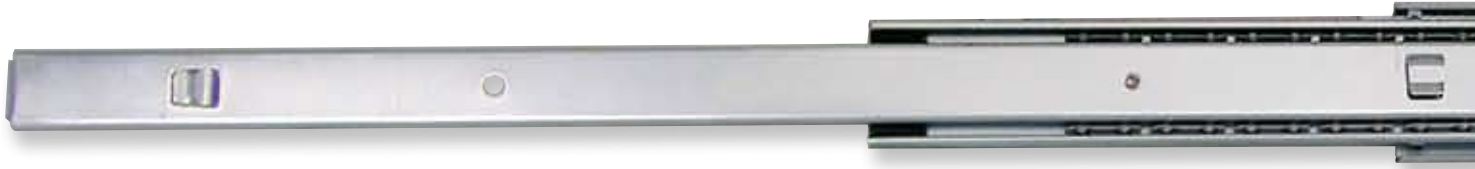
Lever release

To detach drawer rail from
centre rail

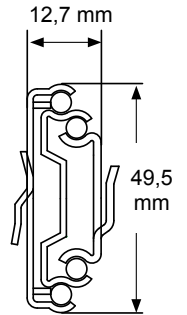
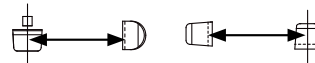


Filing cabinet made by Malow Poland

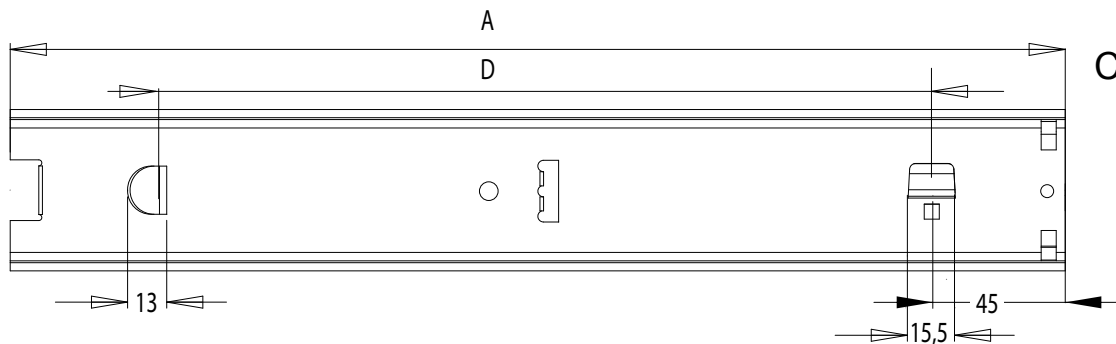
DRAWER SLIDE ME 4950 F/ METAL CABINETS



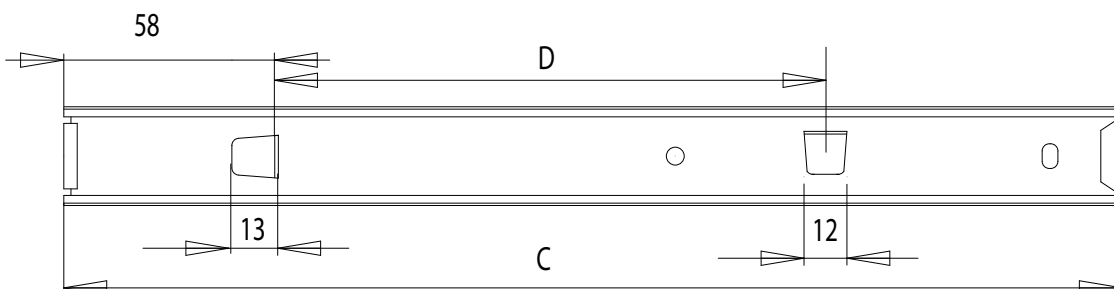
- A: Length of cabinet rail
- B: Length of centre rail
- C: Length of drawer rail
- D: Distance between hooks for cabinet & drawer mounting



Slide length A	B	C	Travel length T	D	Finish	Item No.
300 mm	284 mm	296 mm	310 mm	206 mm	BZP	# 16.13.324
350 mm	334 mm	346mm	360 mm	256 mm	BZP	# 16.13.326
400 mm	384 mm	398 mm	410 mm	256 mm	BZP	# 16.13.328
450 mm	435 mm	448 mm	462 mm	306 mm	BZP	# 16.13.330
500 mm	484 mm	497 mm	512 mm	356 mm	BZP	# 16.13.332
550 mm	532 mm	548 mm	559 mm	406 mm	BZP	# 16.13.334
600 mm	584 mm	597 mm	615 mm	456 mm	BZP	# 16.13.336
650 mm	634 mm	647 mm	662 mm	506 mm	BZP	# 16.13.338
700 mm	684 mm	696 mm	715 mm	556 mm	BZP	# 16.13.340



Cabinet rail



Drawer rail



DRAWER SLIDE ME 4950

Features: Bayonet hooks
Side mounted
Full extension
Steel ball bearings
Locking action, when closed
Release lever

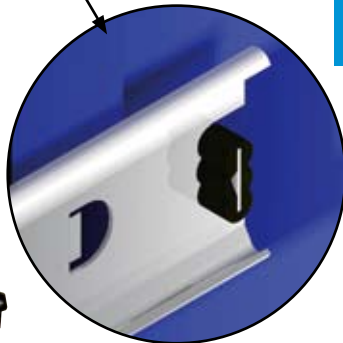
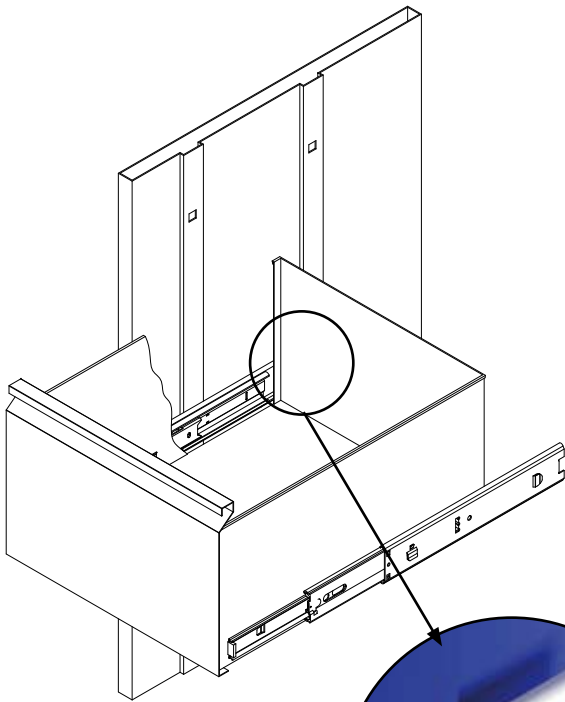
Material: Cold rolled steel – 1,5 mm

Finish: Bright zinc plated (BZP)

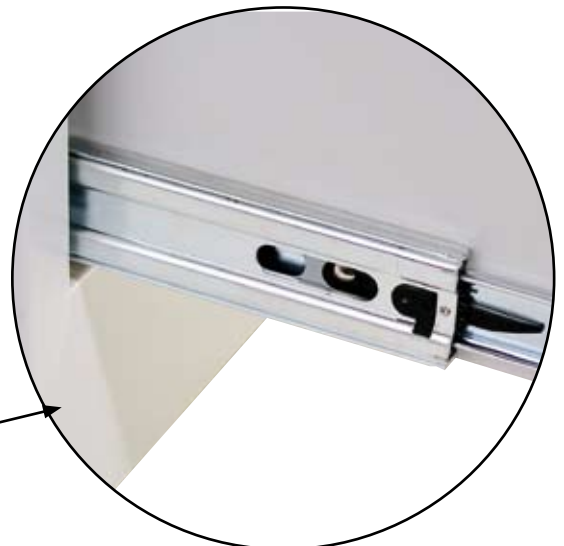
Size: From 300 to 700 mm

Load capacity: 80 kg

Fixation: By use of pre-stamped bayonet hooks



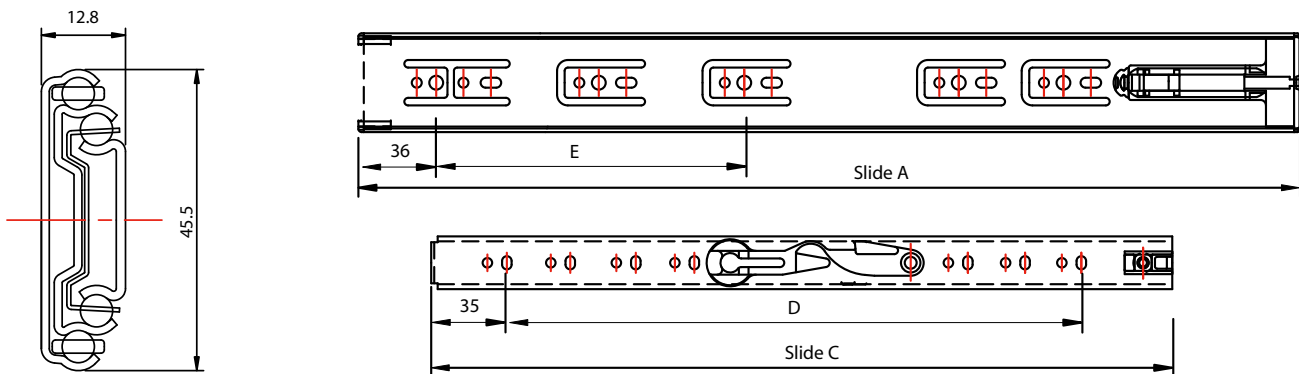
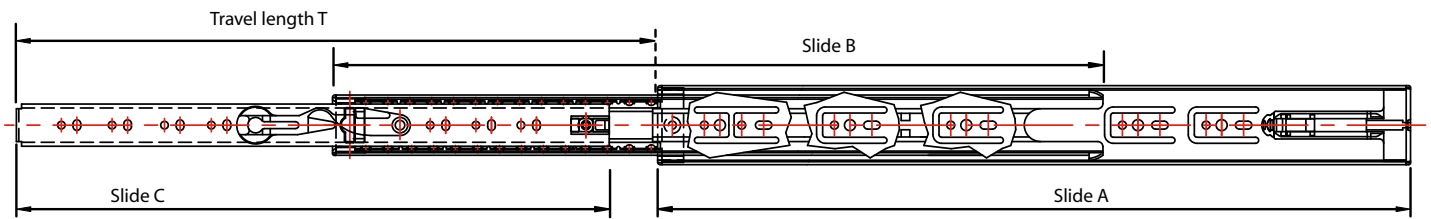
Stopper
Plastic stopper for locking action, when closed



Release lever
To detach drawer rail from centre rail

Filing cabinet made by Malow Poland

DRAWER SLIDE - PUSH TO OPEN - PTO 4500



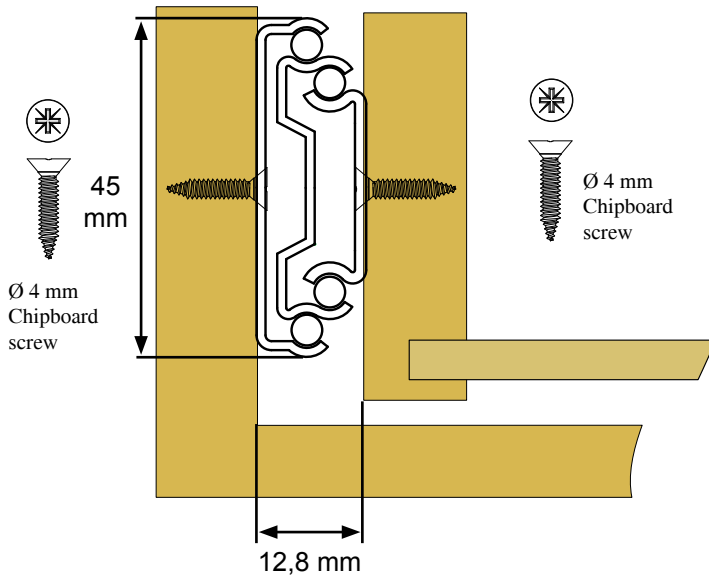
Slide length A	B	C	D	E	Travel length T	Finish	Item No.
350 mm	306 mm	330 mm	256 mm	192 mm	356 mm	BZP	# 16.13.400
400 mm	356 mm	380 mm	294 mm	224 mm	406 mm	BZP	# 16.13.402
450 mm	406 mm	430 mm	344 mm	288 mm	460 mm	BZP	# 16.13.404
500 mm	456 mm	480 mm	394 mm	224 mm	512 mm	BZP	# 16.13.406
550 mm	506 mm	530 mm	444 mm	224 mm	565 mm	BZP	# 16.13.408
600 mm	556 mm	580 mm	494 mm	224 mm	613 mm	BZP	# 16.13.410

DRAWER SLIDE - PUSH TO OPEN- PTO 4500

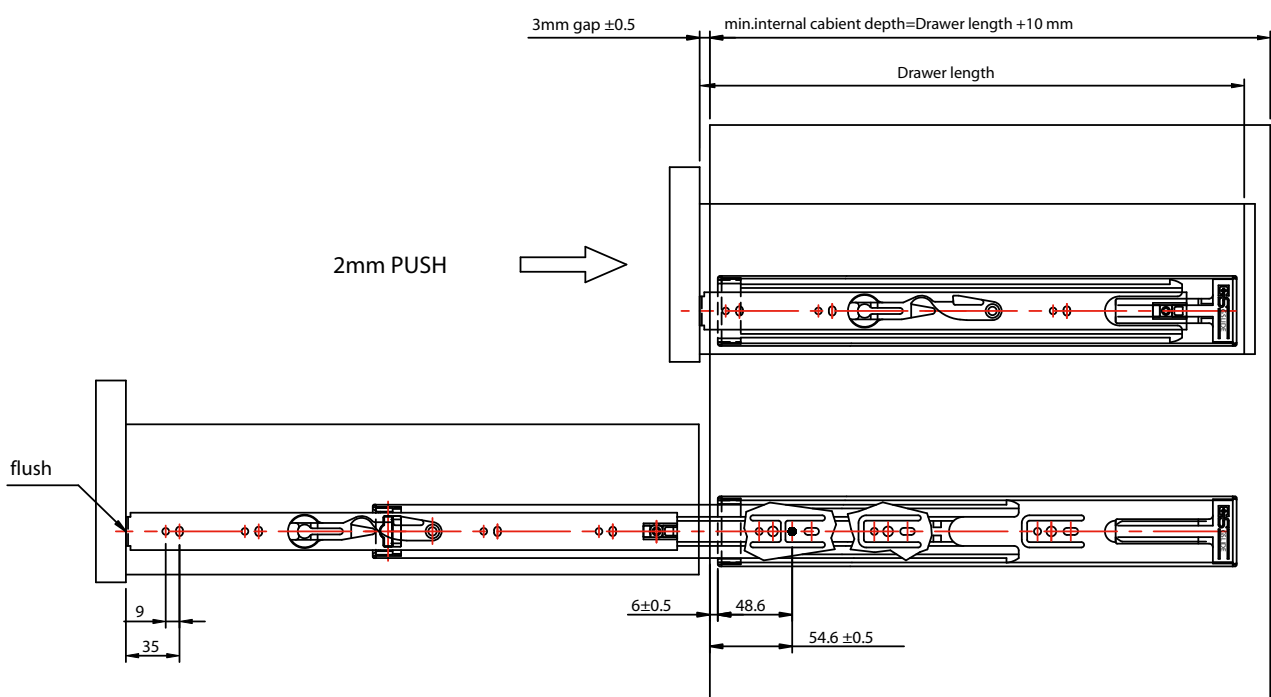
- high quality furniture fittings



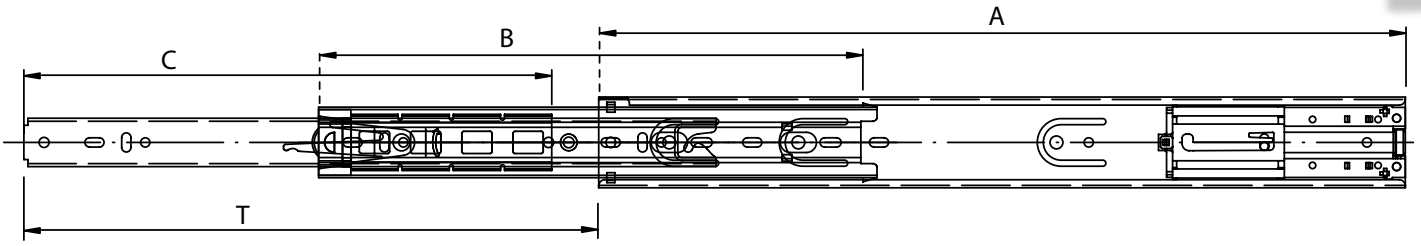
DRAWER SLIDE PTO 4500



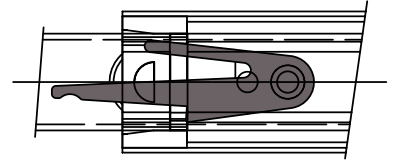
- | | |
|-----------------------|--|
| Features: | Side mounted
Full extension
36 mm hole system
Steel ball bearings
Push to open function
Release lever |
| Material: | Cold rolled steel – 1,2 mm |
| Finish: | Bright zinc plated |
| Size: | From 350 to 600 mm |
| Load capacity: | 40 kg |
| Fixation: | Chipboard screws ø 4 mm |
- (Screws available on request)



DRAWER SLIDE SELF-CLOSING & SOFT STOP

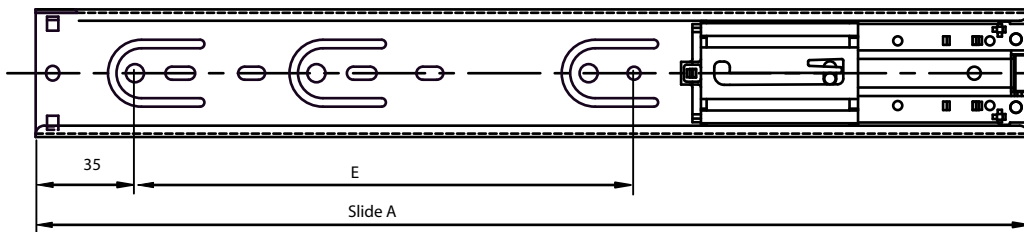


A: Length of cabinet rail
 B: Length of centre rail
 C: Length of drawer rail

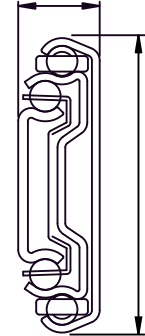


Slide length A	B	C	D	E	Travel length T	Finish	Item No.
350 mm	227 mm	293 mm	192 mm	177 mm	274 mm	BZP	# 16.13.450
400 mm	277 mm	342 mm	257 mm	207 mm	366 mm	BZP	# 16.13.452
450 mm	327 mm	392 mm	278 mm	272 mm	418 mm	BZP	# 16.13.454
500 mm	378 mm	442 mm	352 mm	335 mm	497 mm	BZP	# 16.13.456
550 mm	427 mm	493 mm	384 mm	384 mm	550 mm	BZP	# 16.13.458
600 mm	477 mm	543 mm	448 mm	432 mm	600 mm	BZP	# 16.13.460

Cabinet rail

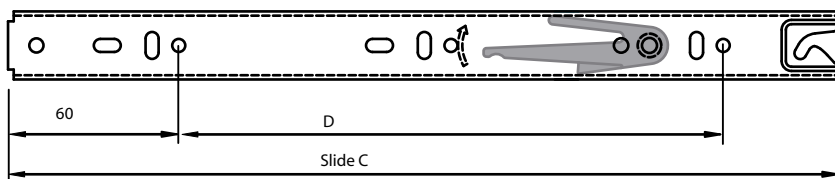


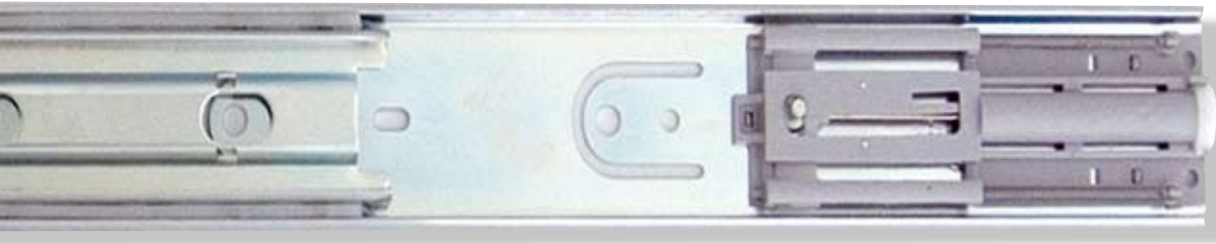
12.6 mm +/- 0,2 mm



45 mm

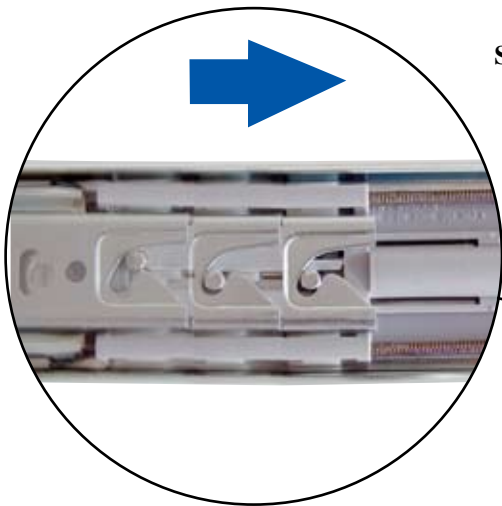
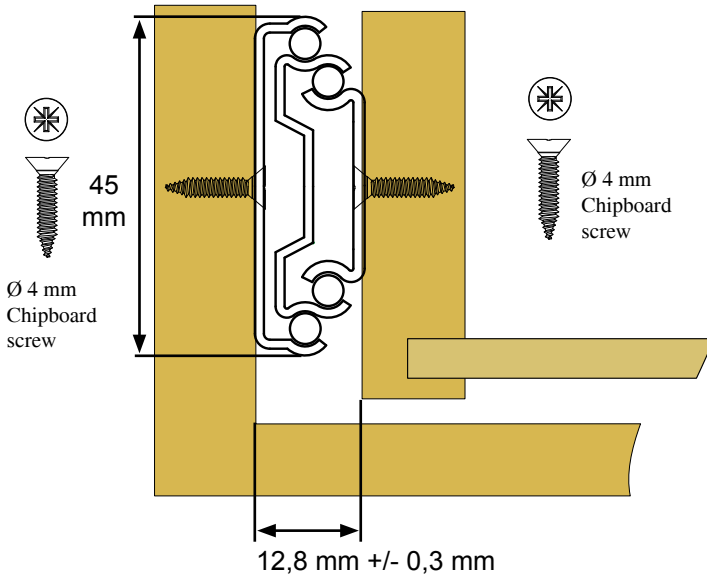
Drawer rail





DRAWER SLIDE SELF-CLOSING

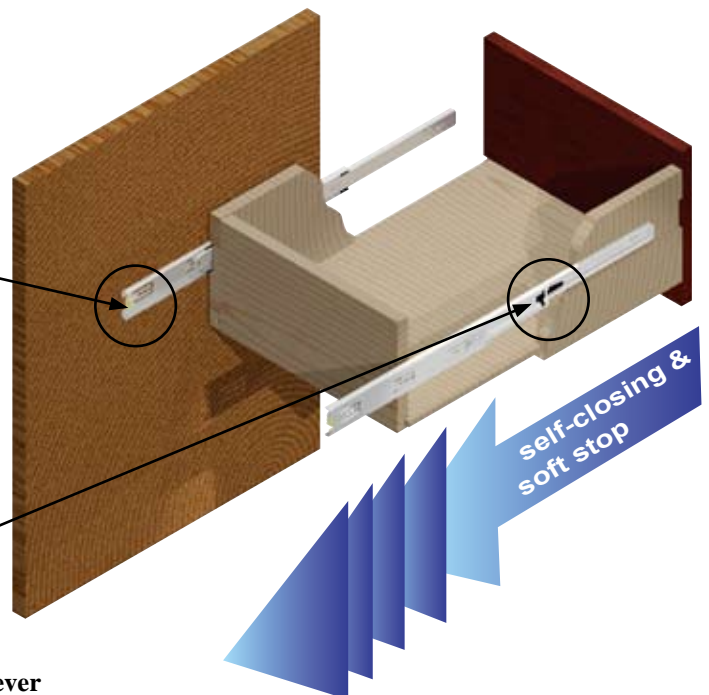
Features:	Side mounted Full extension 35 mm hole system Steel ball bearings Self-closing & soft stop function Release lever Max drawer width: 700 mm
Material:	Cold rolled steel – 1,2 mm
Finish:	Bright zinc plated
Size:	From 350 to 600 mm
Load capacity:	35 kg
Fixation:	Chipboard screws \varnothing 4 mm
(Screws available on request)	



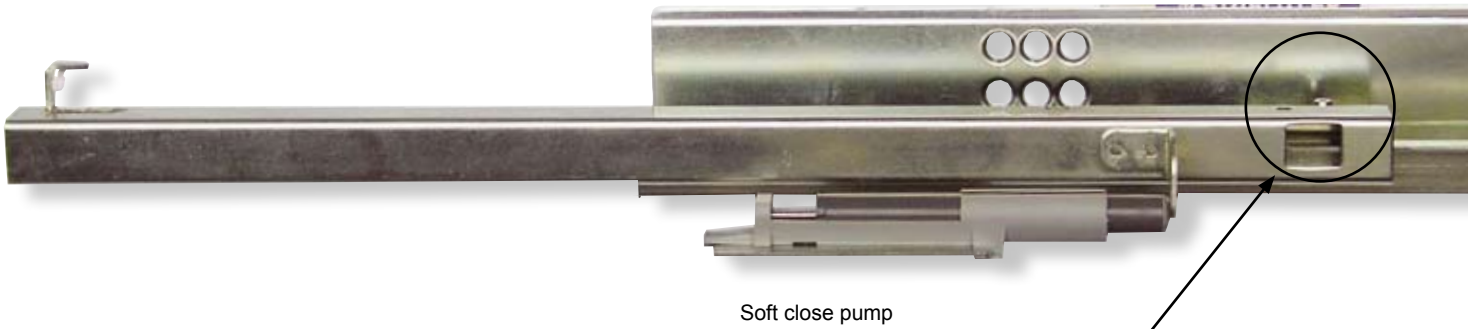
Self-closing system



Release lever
To detach drawer rail from centre rail

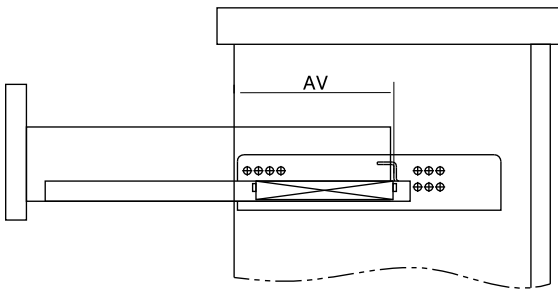
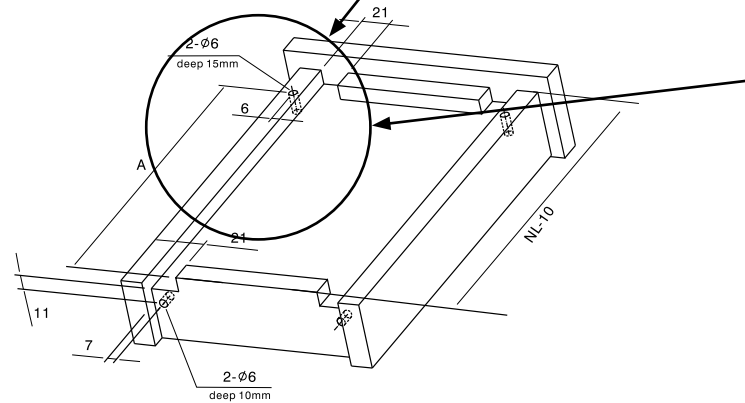


INVISIBLE SLIDE SEMI EXTENSION W/PEG LEVELLER



Drawer size and boring

NL (mm)	300	350	400	450	500	550	600
A (mm)	245	270	305	330	355	390	415



Extension loss

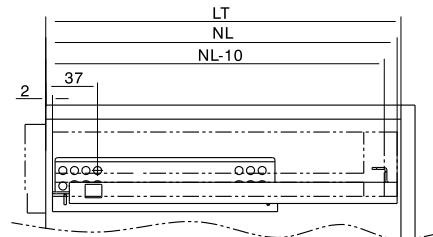
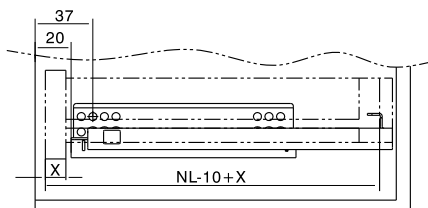
NL (mm)	300	350	400	450	500	550	600
AV (mm)	86,5	86,5	106,5	106,5	106,5	126,5	126,5

Installation dimensions

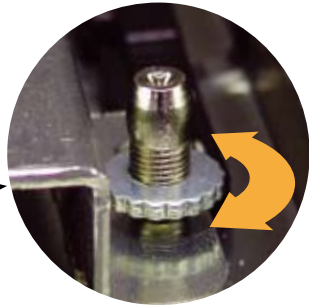
NL= Normal slide length

LT= Internal cabinet depth

Inset drawer LT min=NL+21 Overlay drawer LT min=NL+3



Slide Length	300 mm	350 mm	400 mm	450 mm	500 mm	550 mm	600 mm
Item No.	16.13.521	16.13.522	16.13.523	16.13.524	16.13.525	16.13.526	16.13.527

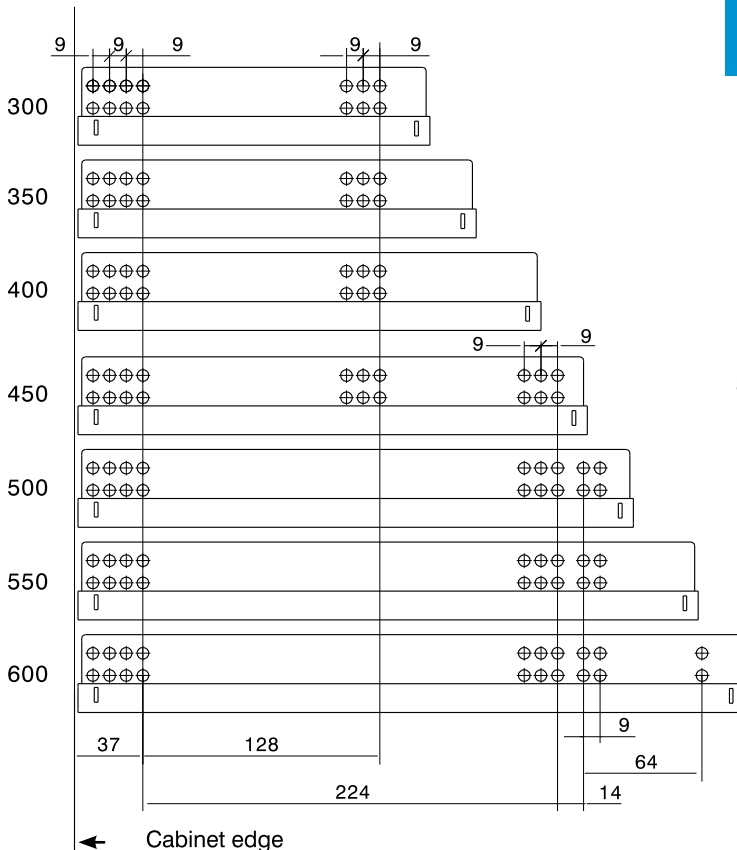


Turn wheel to level the drawer 0-+4 mm

SEMI EXTENSION W/PEG LEVELLER

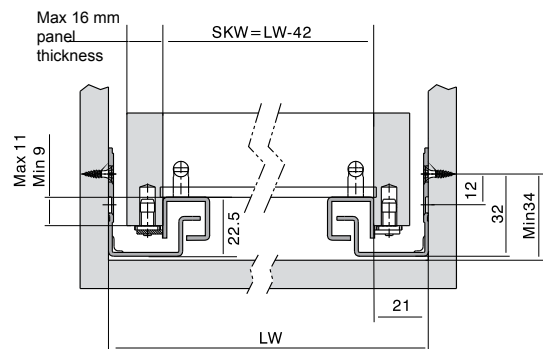
- Features: Bottom mounted
Semi extension
37 mm hole system
Self-closing and soft stop
Max drawer width: 500 mm
 - Function: Height adjustment of drawer
 - Material: Cold rolled steel – 1,5 mm
 - Finish: Bright zinc plated
 - Size: From 250 to 600 mm
 - Max panel thickness: 16 mm
 - Load capacity: 25 kg
 - Fixation: Chipboard screws \varnothing 6 mm
- (Screws available on request)

Hole pattern

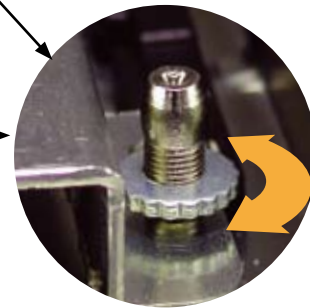
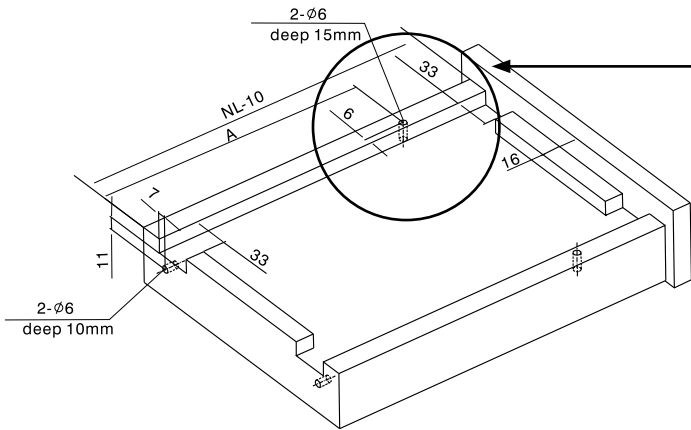
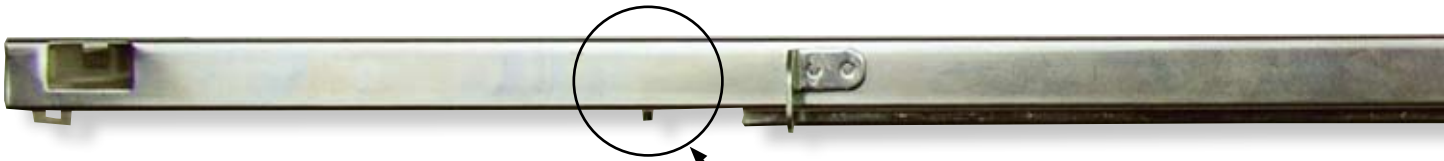


Installation dimensions

SKW= Internal drawer width LW= Internal cabinet width



INVISIBLE SLIDE FULL EXTENSION W/PEG LEVELLER



Drawer height leveler

Turn wheel to level the drawer 0-+4 mm

Drawer size and boring

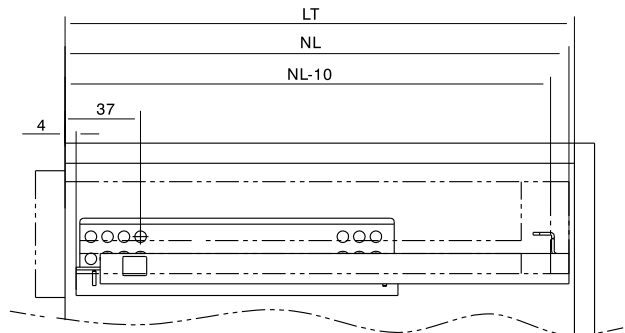
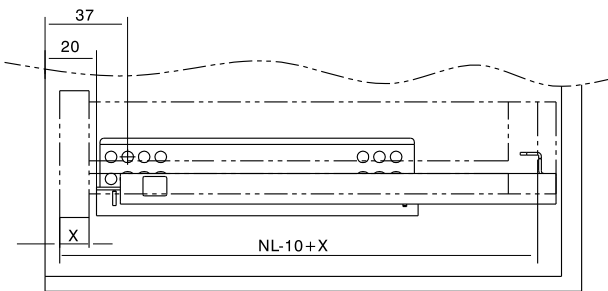
NL (mm)	300	350	400	450	500	550	600
A (mm)	245	270	305	330	355	390	415

Installation dimensions

NL= Normal slide length

LT= Internal cabinet depth

Inset drawer LT min=NL+21 Overlay drawer LT min=NL+3



Drawer length	300 mm	350 mm	400 mm	450 mm	500 mm	550 mm	600 mm
Item No.	16.13.501	16.13.502	16.13.503	16.13.504	16.13.505	16.13.506	16.13.507

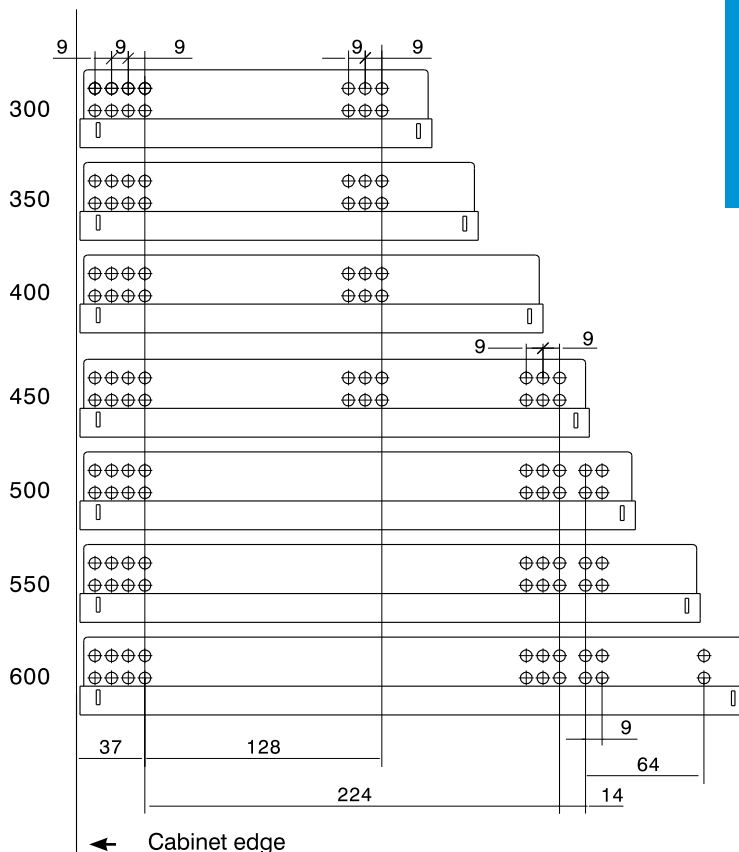


Soft close pump

FULL EXTENSION W/PEG LEVELLER

- Features: Bottom mounted
Full extension
37 mm hole system
Self-closing and soft stop
Max drawer width: 500 mm
 - Function: Height adjustment of drawer
 - Material: Cold rolled steel – 1,8 mm
 - Finish: Bright zinc plated
 - Size: From 300 to 600 mm
 - Max panel thickness: 16 mm
 - Load capacity: 25 kg
 - Fixation: Chipboard screws \varnothing 6 mm
- (Screws available on request)

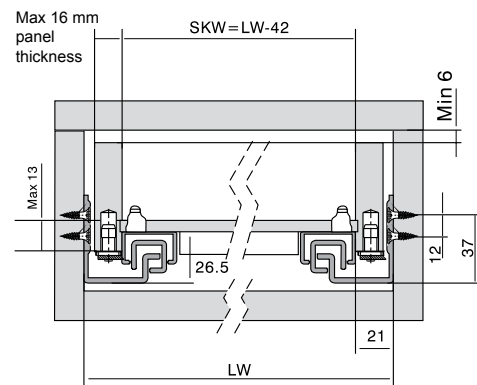
Hole pattern



Installation dimensions

SKW= Internal drawer width

LW= Internal cabinet width



INVISIBLE SLIDE FULL EXTENSION W/QUICK RELEASE



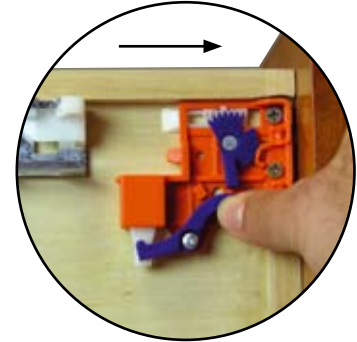
Soft close pump



Turn the handle to level the drawer 0-+ 3mm



Press to release drawer from the slide

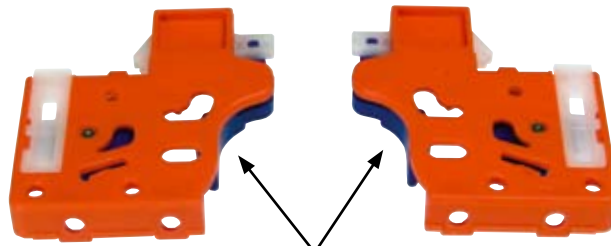


Drawer disconnected

Quick release (L)

Quick release (R)

Drawer height wedge leveller



Press to release

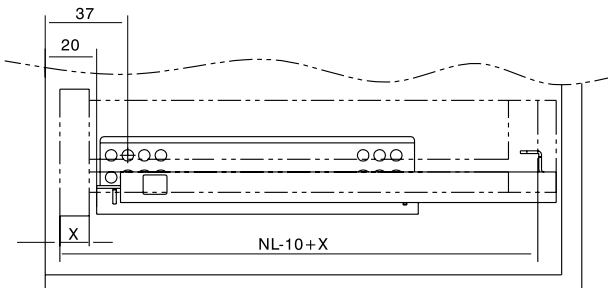
Installation dimensions

NL= Normal slide length

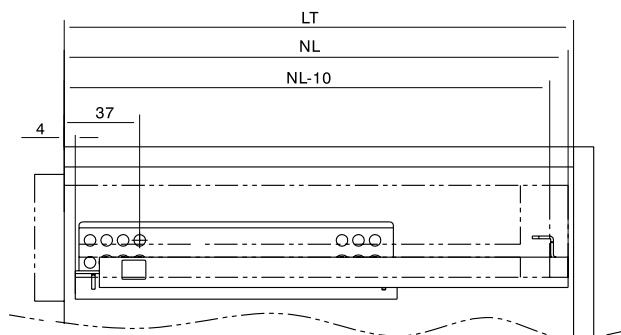
LT= Internal cabinet depth

Inset drawer LT min=NL+21 Overlay drawer LT min=NL+3

Inset drawer



Overlay drawer



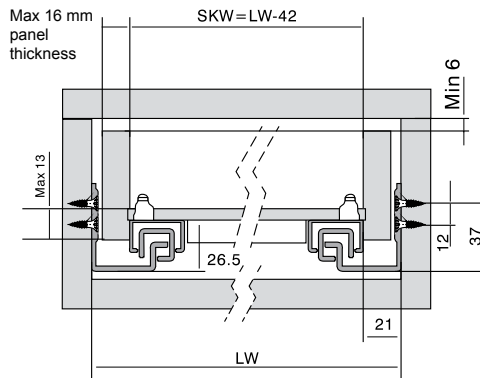
Slide length	300 mm	350 mm	400 mm	450 mm	500 mm	550 mm	600 mm
Item No.	16.13.471	16.13.472	16.13.473	16.13.474	16.13.475	16.13.476	16.13.477



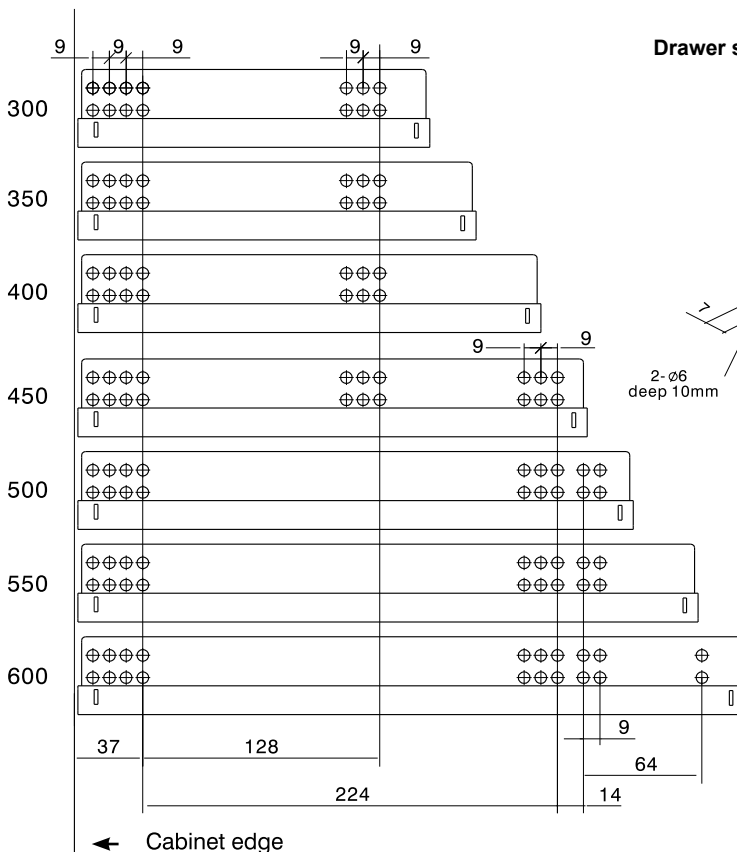
Installation dimensions

SKW= Internal drawer width

LW= Internal cabinet width



Hole pattern



FULL EXTENSION W/QUICK RELEASE

Features: Bottom mounted
Full extension
37 mm hole system
Self-closing and soft stop
Quick release function
Height adjustment of drawer
Max drawer width: 500 mm

Material: Cold rolled steel – 1,8 mm

Finish: Bright zinc plated

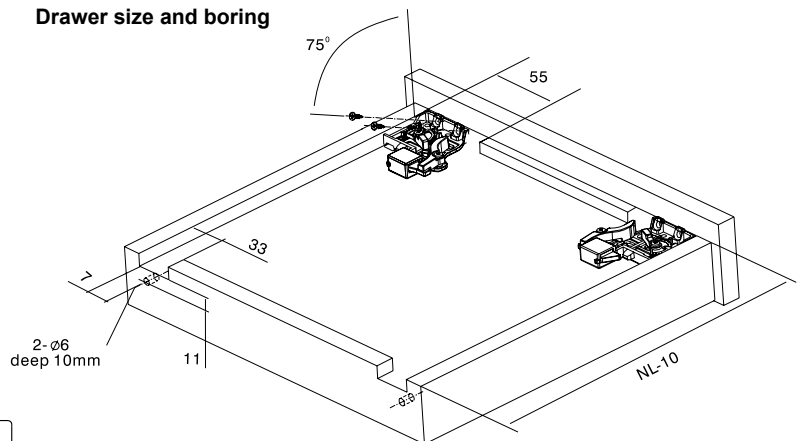
Size: From 300 to 600 mm

Load capacity: 25 kg

Fixation: Chipboard screws \varnothing 6 mm

(Screws available on request)

Drawer size and boring



KEYBOARD SLIDE NJ 2060



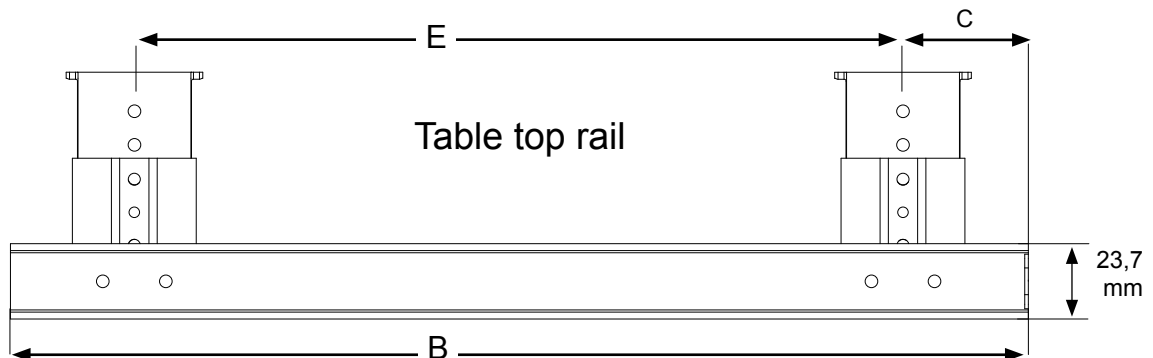
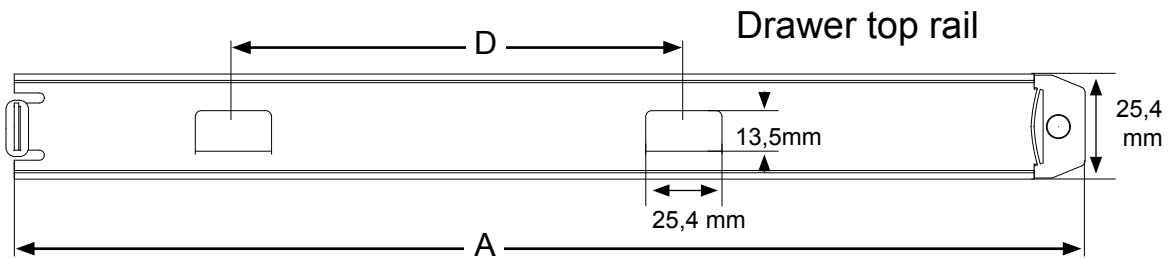
A: Length of drawer top rail

B: Length of table top rail

D: Distance between brackets for table top mounting

E: Distance between brackets for drawer top mounting

Drawer length A	B	C	Travel length T	D	E	Finish	Item No.
308 mm	290 mm	21 mm	223 mm	160 mm	192 mm	Black	# 25.23.342
356 mm	339 mm	42 mm	275 mm	223 mm	256 mm	Black	# 25.23.362
408 mm	390 mm	21 mm	310 mm	160 mm	192 mm	Black	# 25.23.382
456 mm	439 mm	42 mm	340 mm	323 mm	356 mm	Black	# 25.23.402





KEYBOARD SLIDE NJ 2060

Features: Top mounted – $\frac{3}{4}$ extension
Steel ball bearings
Locking action, when closed
2 steel brackets, with 6 height positions
In- & outward bracket mounting

Material: Cold rolled steel – 1,5 mm

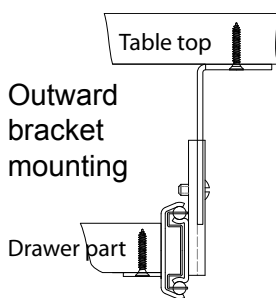
Finish: Black zinc plated

Size: From 290 to 439 mm

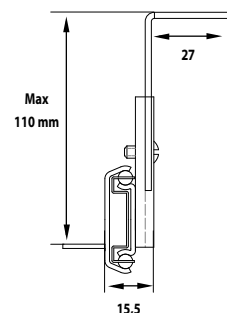
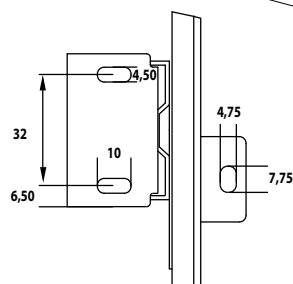
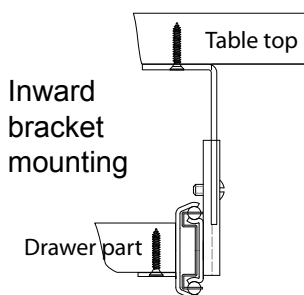
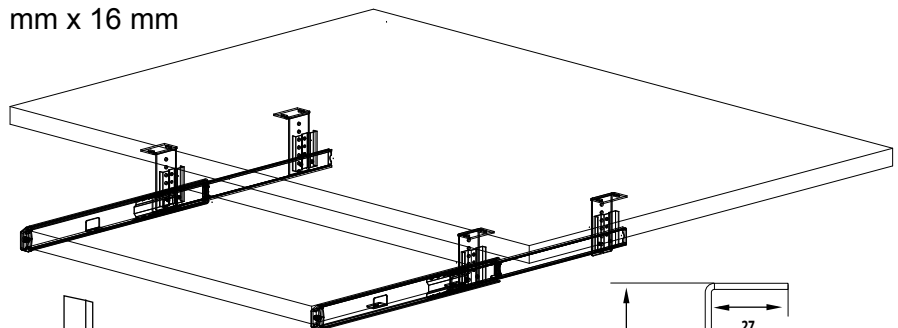
Load capacity: 30 kg

Fixation: Chipboard screws \varnothing 4 mm

(Screws are included)



Chipboard screws
 \varnothing 4 mm x 16 mm

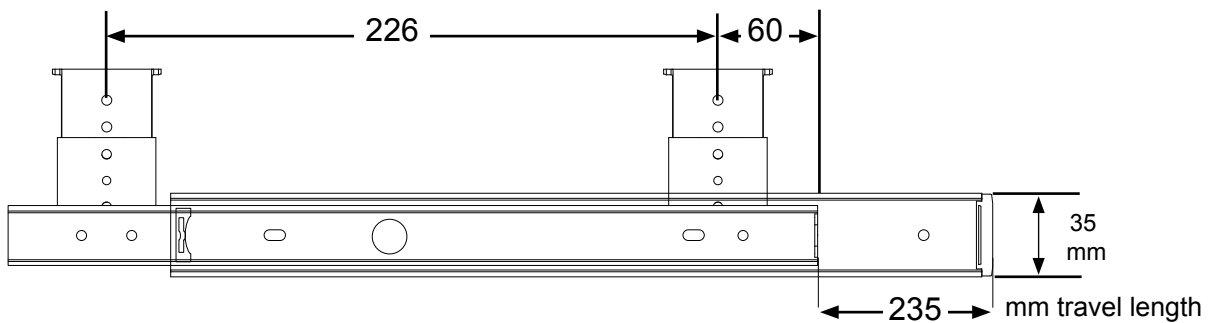
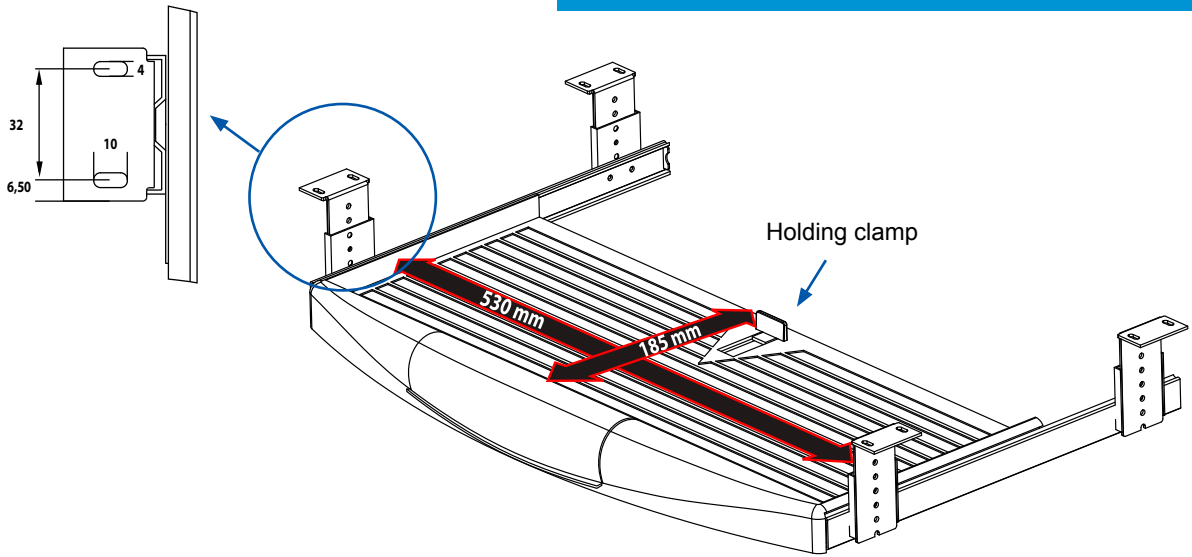
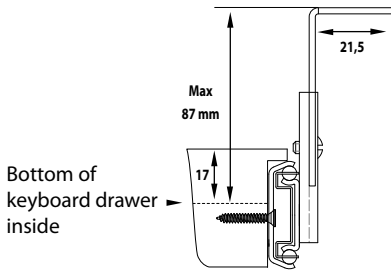


KEYBOARD DRAWER "PROFI"

KEYBOARD DRAWER "PROFI"



Features:	Pencil box with lid Holding clamp for keyboards of different sizes Steel ball bearing slide with locking action when closed
Tray size:	530 x 185 x 17 mm (max. keyboard size)
Slide size:	35 X 350 mm
Material:	Tray: Grey & black PP Slides & angles: Steel, bright zinc plated
Fixation:	Under desk top by means of angled mounting brackets with 3 height positions Chipboard screws \varnothing 4 mm supplied on request
Item No.:	25.23.185



KEYBOARD DRAWER "PROFI W/MOUSE PAD"

- high quality furniture fittings



KEYBOARD DRAWER "PROFI W/MOUSE PAD"



Features: Pencil box with lid and right hand mouse pad
Holding clamp for keyboards of different sizes
Steel ball bearing slide with locking action when closed

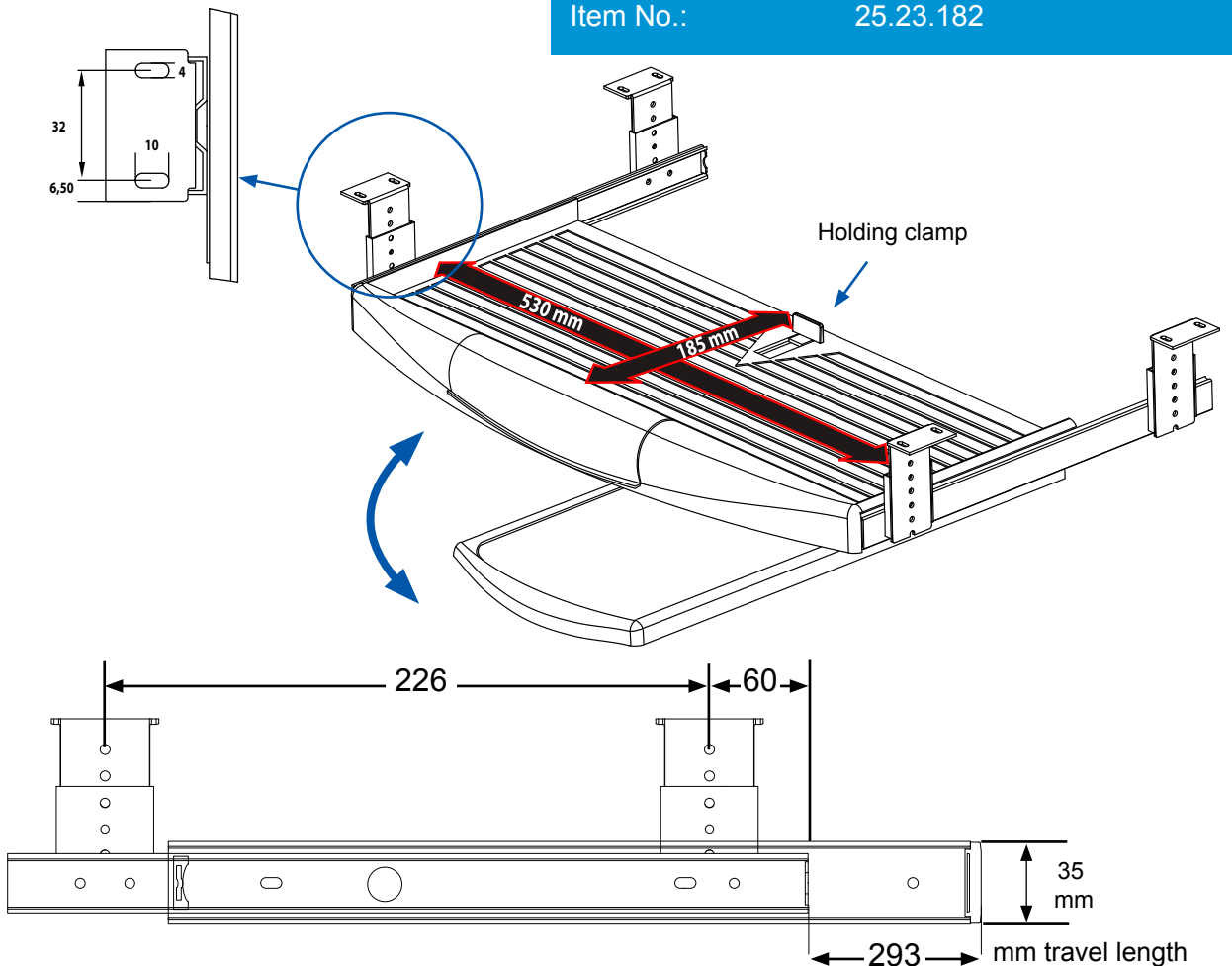
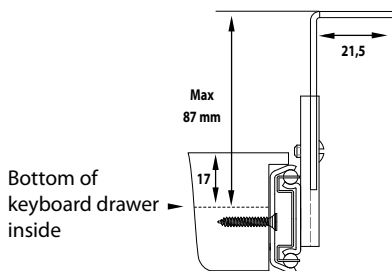
Tray size: 530 x 185 x 17 mm (max. keyboard size)

Slide size: 35 X 350 mm

Material:
Tray: Black PP
Mouse pad: Black PP with black soft fabric
Slides & angles: Steel, black zinc plated

Fixation: Under desk top by means of angled mounting brackets with 4 height positions
Chipboard screws \varnothing 4 mm supplied on request

Item No.: 25.23.182

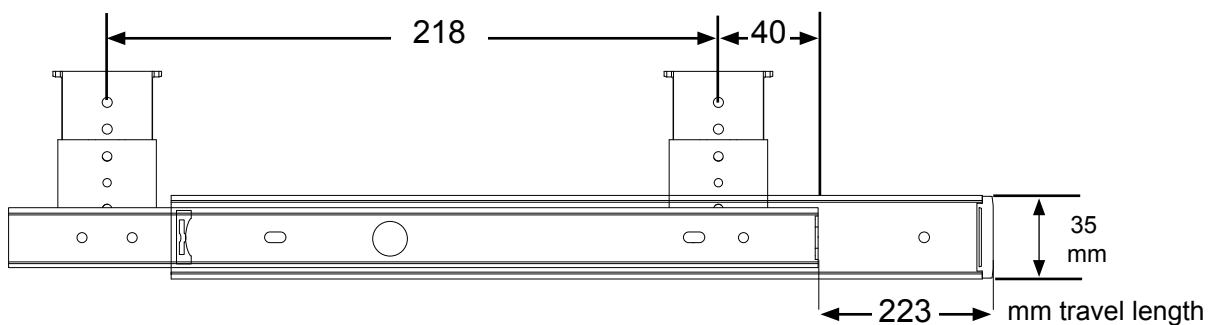
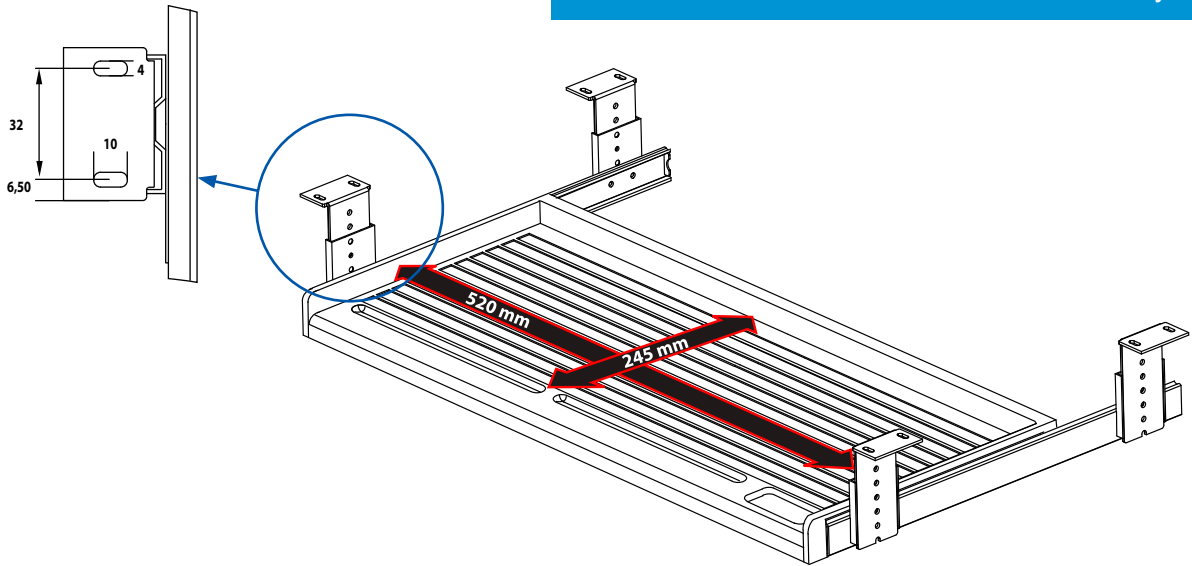
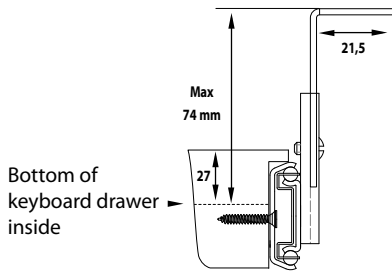


KEYBOARD DRAWER #444

KEYBOARD DRAWER #444



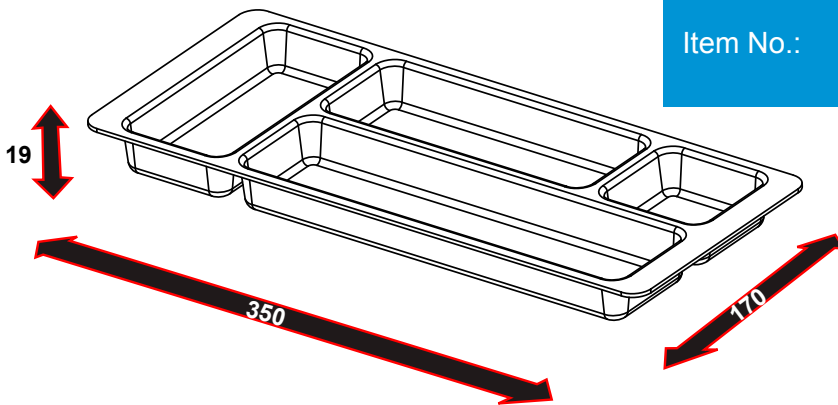
Features:	Pencil and clip holder Steel ball bearing slide with locking action when open & closed
Tray size:	520 x 245 x 27 mm (max. keyboard size)
Slide size:	35 X 350 mm
Material:	
Tray:	Grey or black PP
Slides & angles:	Steel, bright or black zinc plated
Fixation:	Under desk top by means of angled mounting brackets with 3 height positions Chipboard screws \varnothing 4 mm supplied on request
Item No.:	# 25.23.180 Grey tray # 25.23.181 Black tray



PENCIL TRAY #431



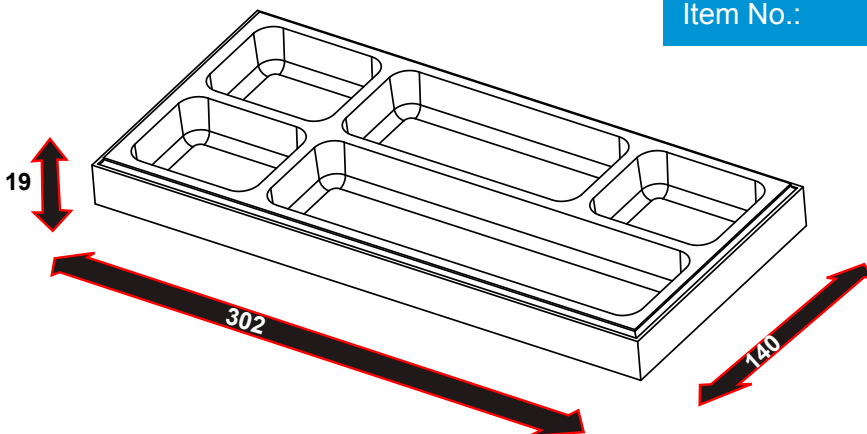
Application:	Plastic pencil tray with 12,5 mm flange
Overall size:	170 (W) X 350 (L) X 19 (D) mm
Inlay size:	159 (W) x 325 (L) x 15 (D) mm
Material:	Black PP, plain
Item No.:	# 25.31.120



PENCIL TRAY #806



Application:	Plastic pencil tray without flange
Overall size:	140 (W) X 302 (L) X 19 (D) mm
Material:	Black PP, sparkled
Item No.:	# 25.31.080

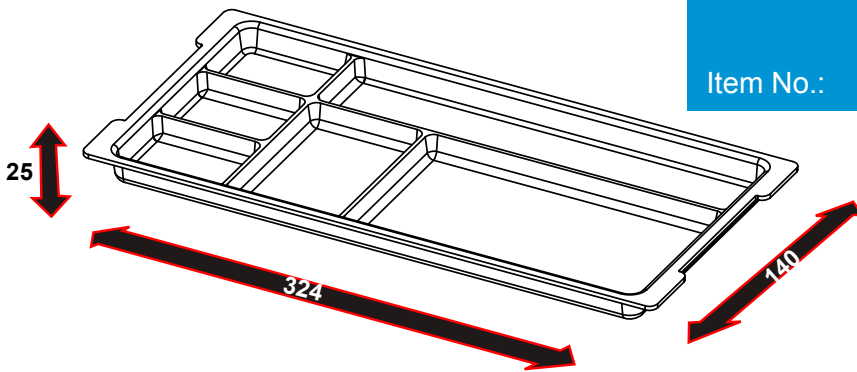


PENCIL TRAYS & CD/DVD-HOLDER

PENCIL TRAY #815



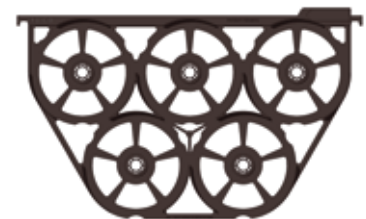
Application:	Plastic pencil tray with 16 mm flange
Overall size:	140 (W) X 324 (L) X 25 (D) mm
Inlay size:	127 (W) x 292 (L) x 23 (D) mm
Material:	Black PP, sparkled top & plain bottom
Item No.:	# 25.31.070



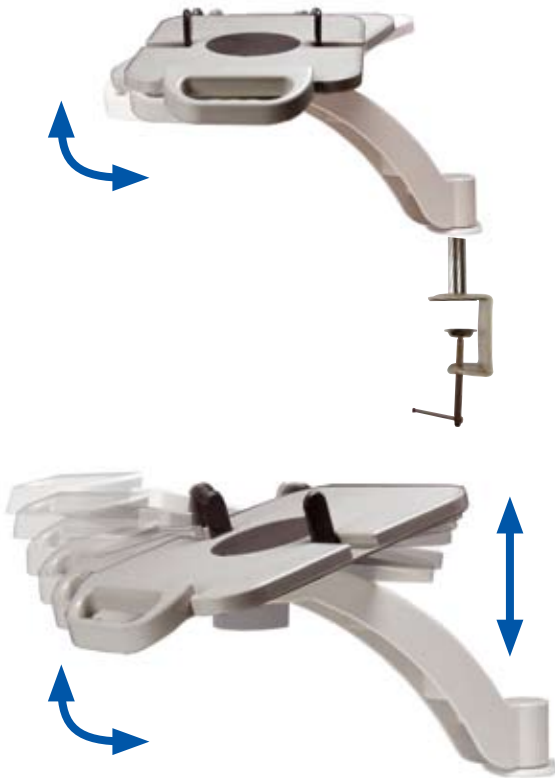
CD/DVD HOLDER



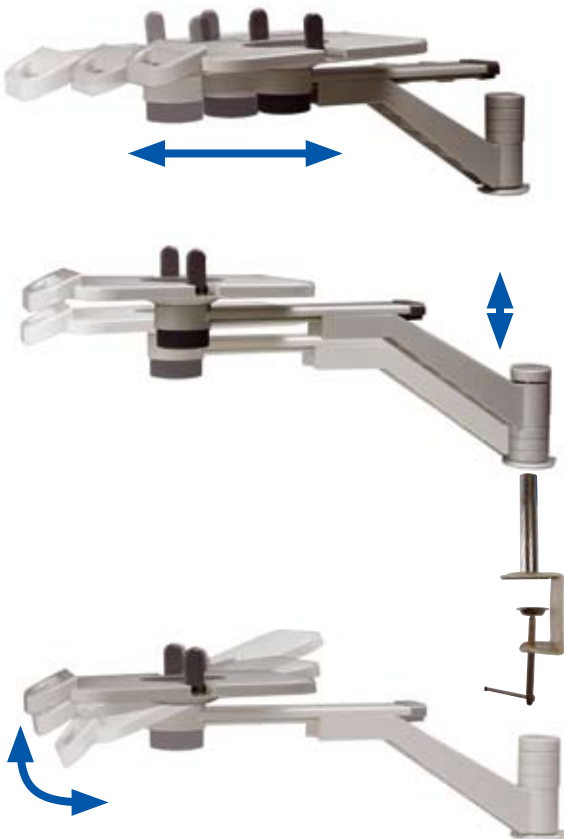
Features:	Two-sided Eliminates all contact between CD's. Impact resistant structure Perfect to store CD's & DVD's Space for identification Available in the standard size of filing drawers:
	B4 = 10 Cd's or A4 = 8 CD's
Material:	Plastic in black, transparent, yellow, orange or red
	Black B4 = 10 Cd's # 22.28.010 Black A4 = 8 CD's # 22.28.020



TELEPHONE STAND # 516



Features:	Holds the phone 210 mm above the desk Springloaded brackets to hold phone 360 degrees swivel & 20 degrees tilting Single packing in multi-coloured retail box
Material:	Light grey PP
Platform size:	210 x 230 mm
Fixation:	Easy fixing by use of tightening table clamp. Max 60 mm panel thickness.
Load capacity:	6 kg
Item No.:	# 25.23.700



TELEPHONE STAND # 515 W/extendable arm and height adjustment

Features:	Holds the phone from 210 to 250 mm above the desk Springloaded brackets to hold phone 360 degrees swivel & 20 degrees tilting Extendable arm up to 500 mm. Single packing in multi-coloured retail box
Material:	Light grey PP
Platform size:	210 x 230 mm
Fixation:	Easy fixing by use of tightening table clamp. Max 60 mm panel thickness.
Load capacity:	6 kg
Item No.:	# 25.23.701

A series of horizontal dotted lines spanning the width of the page, providing a template for handwritten notes.



- high quality furniture fittings

Item No.: 99.00.025-0 02.04.2009

SISO A/S

Mileparken 11 Phone: (+45) 45 830 900
DK - 2740 Skovlunde (Copenhagen) Fax: (+45) 45 830 444
Denmark E-mail: siso@siso.dk Web: www.siso.dk