

# KNOCK-DOWN FITTINGS



*- high quality furniture fittings*



The technical descriptions and dimensions in this catalogue, also those with the photographs and drawings, are not binding. We reserve the right to make design improvements.

We bear no liability for any misprints or other errors that might occur in the production of the catalogue.

SISO A/S tager forbehold for trykfejl samt ændringer i produktets specifikationer.

Für Druckfehler und Irrtümer ist jede Haftung ausgeschlossen. Produktänderungen behalten wir uns vor.





*- high quality furniture fittings*

SISIO A/S  
MILEPARKEN 11  
DK - 2740 SKOVLUNDE  
(COPENHAGEN)  
DENMARK  
PHONE: (+45) 45 830 900  
FAX: (+45) 45 830 444

DISTRIBUTOR



KNOCK DOWN "SYSTEM S" - Ø15mm.....	3-7	
MINIFIX - Ø15 mm.....	8-10	
MEDIAL FIX - Ø25 mm.....	11	
MEDIA LUNA - Ø30 mm.....	12	
KNOCK DOWN FITTING 512 - Ø30 mm.....	13	
MINI LUNA CONNECTOR - Ø30 mm.....	14	
METAL WASHERS - Ø25, 30 & 35 mm.....	15	
FUERTE - Ø35 mm.....	16-18	
JUMBO FIX - Ø35 mm.....	19	
MAXI LUNA - Ø40 mm.....	20	
SISOJOINT 42/07 - Ø25 mm & SNAPFIX - Ø20 mm.....	21-22	
METAL CONNECTING SCREWS for 5 and 8 mm BORE.....	23-24	
CORNER BLOCKS and CORNERFIX.....	25-28	
SNAP FITTING & MITRE DOWELS.....	29	
TWIST & TIGHT - CHAIR ASSEMBLY.....	30	
FIXING DOWEL & PANEL CONNECTORS.....	31	
REAR PANEL CONNECTORS.....	32	

KEYHOLE FIXTURES.....	33	
BED FITTINGS.....	34-35	
ROW & JOINT CONNECTORS.....	36	
BEECH WOOD DOWELS.....	37	
KEA SCREW-IN BUSHINGS.....	38-41	
LEG CORNER BRACKETS.....	42-43	
HANGERBOLTS.....	44	
HEXAGONAL NUTS + WING NUTS.....	45	
FIFTEEN SCREWS + BOLTS.....	46	
INSEX SCREWS / MUSHROOM SCREWS + KEYS.....	47-49	
CROSS DOWELS.....	50	
CONFIRMAT SCREWS.....	51	
BRASS COMBIFIX HEADS.....	52	
STEEL COMBIFIX HEADS.....	53	
BUSHINGS.....	54-55	
KD SYSTEM "INVISIO".....	56-68	



**KNOCK DOWN »SYSTEM S«**

Is an improvement of the conventional eccentric cam fittings!

Instead of an eccentric cam house in zamak we have developed a steel barrel with a pointed grub screw, which is being wedged below the neck of the dowel ensuring a permanent grip.

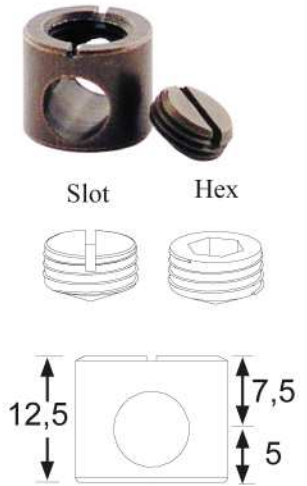
Replaces all 15mm diameter eccentric cam fittings without change of drilling, as the barrel requires the normal 34mm bore distance from the edge. Can also be supplied for 24mm and 44mm distance.

All parts are made of high quality steel or stainless steel for out door use. The material warrants unsurpassed anchoring properties and eliminates the risk of breakage of the fitting.



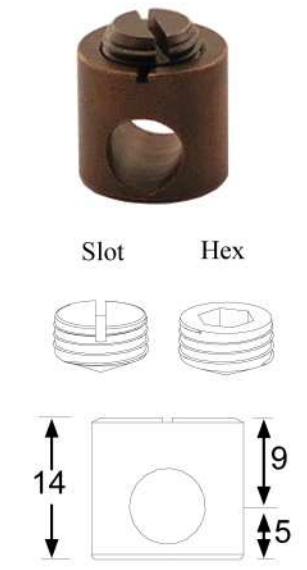
## »SYSTEM S«1512 – FOR 16 MM PANELS

Material:	Steel or Stainless Steel			
Size:	Cylinder: $\varnothing$ 15 x 12,5 mm Grub screw: M10 x 6 mm			
Finish:	Bronze Plated (BRZ), Bright Zinc Plated (BZP), Yellow Zinc Plated (YZP), or Stainless Steel (SS) Natural			
	BRZ	BZP	YZP	SS Natural
Cylinder	11.03.500	11.03.505	11.03.504	11.03.705
Grub screw w/slot	11.03.490	11.03.494	11.03.493	on request
Grub screw w/hex	on request	on request	on request	11.03.715



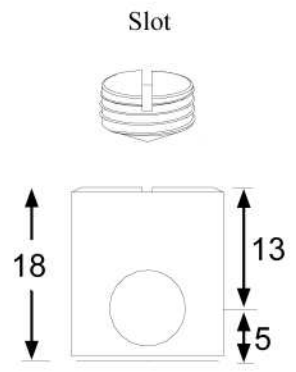
## »SYSTEM S«1514 – FOR 19 MM PANELS

Material:	Steel or Stainless Steel			
Size:	Cylinder: $\varnothing$ 15 x 14 mm Grub screw: M10 x 7,5 mm			
Finish:	Bronze Plated (BRZ), Bright Zinc Plated (BZP), Yellow Zinc Plated (YZP), or Stainless Steel (SS) Natural			
	BRZ	BZP	YZP	SS Natural
Cylinder	11.03.516	11.03.582	11.03.580	11.03.700
Grub screw w/slot	11.03.521	11.03.592	11.03.590	on request
Grub screw w/hex	on request	on request	on request	11.03.710



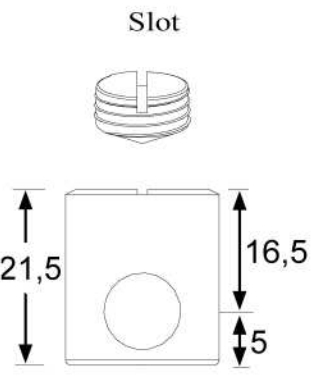
## »SYSTEM S«1518 – FOR 22-25 MM PANELS

Material:	Steel	
Size:	Cylinder: $\varnothing$ 15 x 18 mm Grub screw: M10 x 8,5 mm	
Finish:	Bronze Plated (BRZ)	
	Cylinder	11.03.450
	Grub screw w/slot	11.03.460



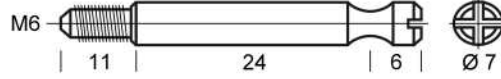
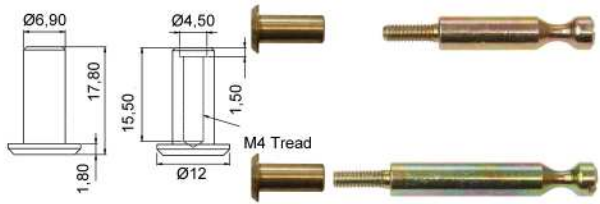
## »SYSTEM S«1522 – FOR 25-28 MM PANELS

Material:	Steel	
Size:	Cylinder: $\varnothing$ 15 x 21,5 mm Grub screw: M10 x 15 mm	
Finish:	Bronze Plated (BRZ)	
	Cylinder	11.03.495
	Grub screw w/slot	11.03.518

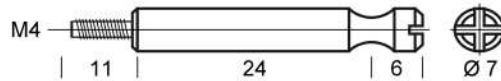




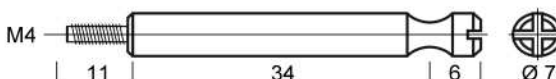
# STEEL DOWELS F/KD-SYSTEM S



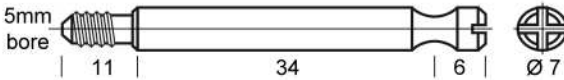
# 11.03.524



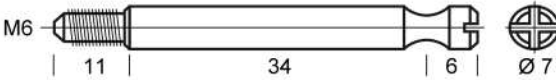
Dowel # 11.03.523  
Cap # 11.03.532



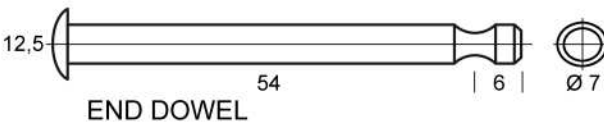
Dowel # 11.03.531  
Cap # 11.03.532



# 11.03.530

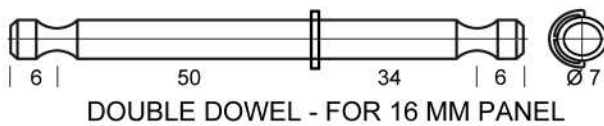


# 11.03.525



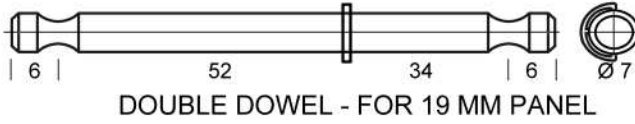
END DOWEL

# 11.03.534



DOUBLE DOWEL - FOR 16 MM PANEL

# 11.03.539



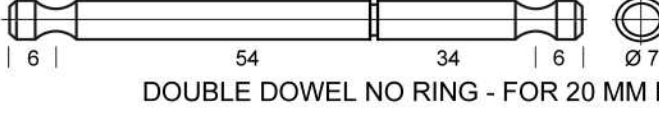
DOUBLE DOWEL - FOR 19 MM PANEL

# 11.03.537



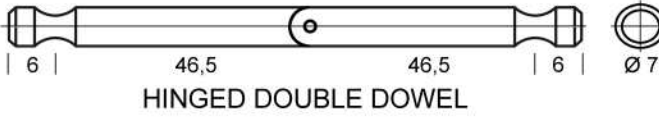
DOUBLE DOWEL - FOR 20 MM PANEL

# 11.03.535



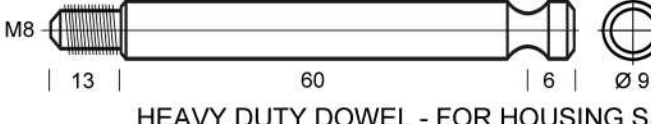
DOUBLE DOWEL NO RING - FOR 20 MM PANEL

# 11.03.536



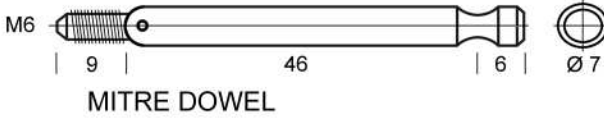
HINGED DOUBLE DOWEL

# 11.03.570



HEAVY DUTY DOWEL - FOR HOUSING S1518

# 11.03.470



MITRE DOWEL

# 11.03.575

**PLASTIC COVER CAPS**

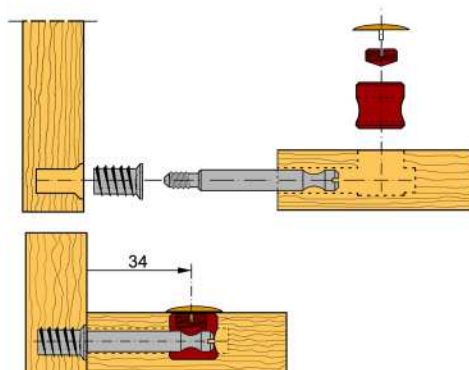
Material: Nylon  
Size:  $\varnothing 17$  mm

- Brown: # 11.03.551
- Beige: # 11.03.553
- White: # 11.03.554
- Oak: # 11.03.555
- Black: # 11.03.556
- Light grey RAL 7035: # 11.03.559



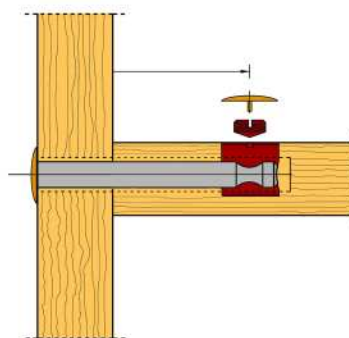
**KD SYSTEM S**

Steel dowel, M6 + Screw in bushing



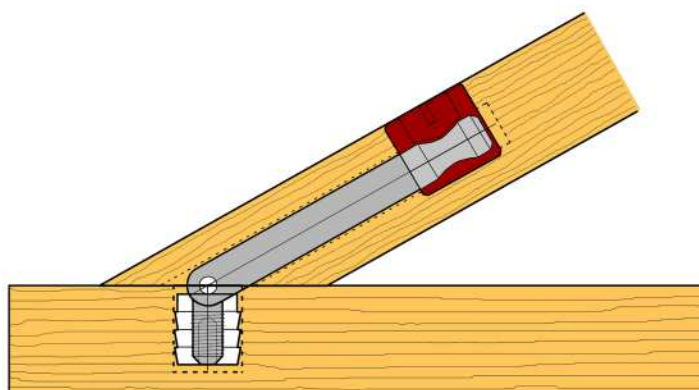
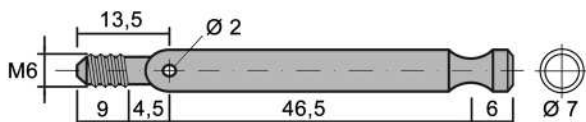
**KD SYSTEM S**

Steel end dowel for 20 mm panels



**KD SYSTEM S**

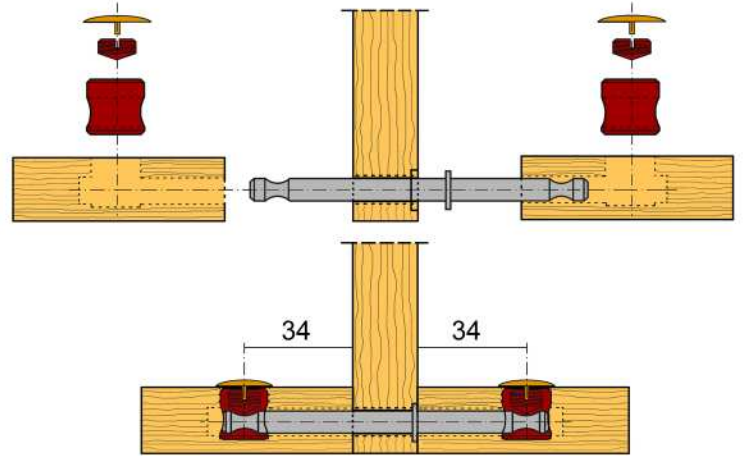
M6 hinged dowel, # 11.03.575  
For mitre joints  
Material: Steel





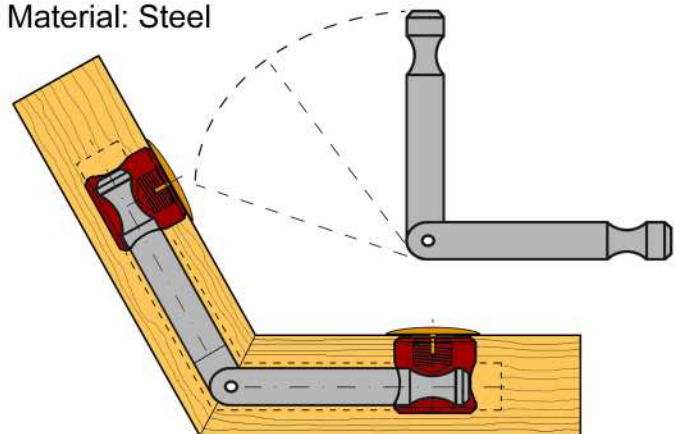
**KD SYSTEM S**

Double steel dowel for 16, 19, 20 mm  
centre panel



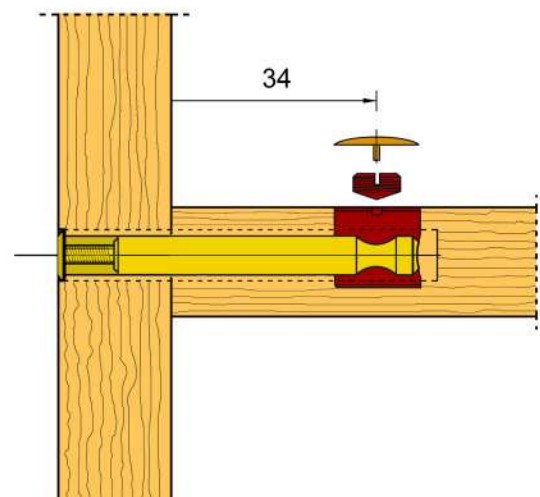
**KD SYSTEM S**

Double dowel hinged, # 11.03.570  
For mitre joints at any angle  
from 90° to 180°  
Material: Steel

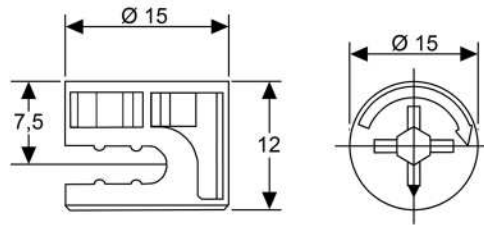


**KD SYSTEM S**

Adjustable end dowel  
# 11.03.531 + cap # 11.03.532

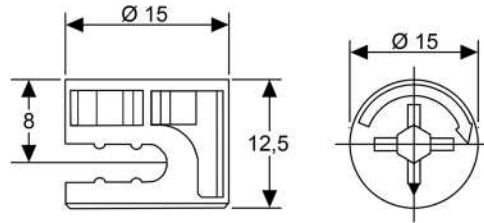


CAM FOR 15 MM PANEL



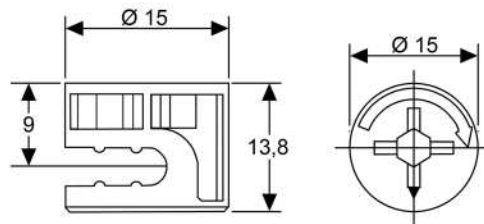
Material: Zamak, Raw  
Item No. # 11.03.255

CAM FOR 16 MM PANEL



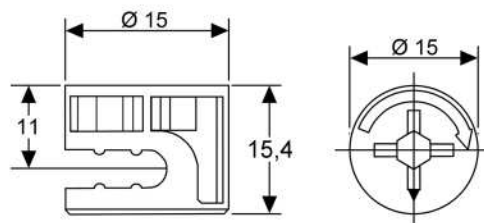
Material: Zamak, Raw  
Item No. # 11.03.260

CAM FOR 18 MM PANEL



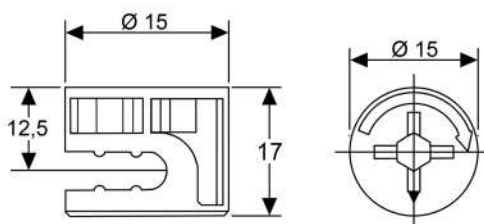
Material: Zamak, Raw  
Item No. # 11.03.270

CAM FOR 22 MM PANEL



Material: Zamak, Raw  
Item No. # 11.03.275

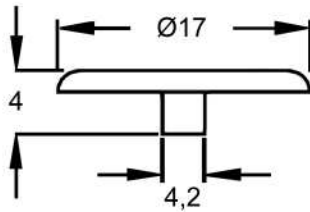
CAM FOR 25 MM PANEL



Material: Zamak, Raw  
Item No. # 11.03.280



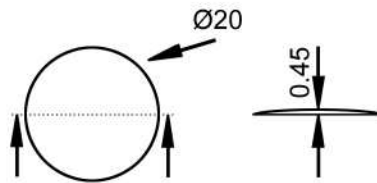
NYLON COVER CAP FOR MINIFIX



Material: Nylon

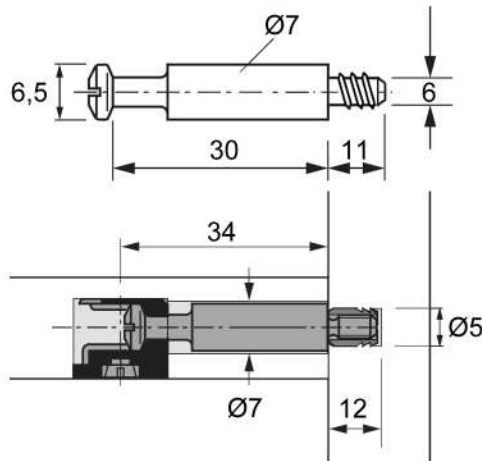
Black: # 11.03.244  
 Dark brown: # 11.03.245  
 White: # 11.03.246  
 Light oak 148: # 11.03.247  
 Beige 147: # 11.03.248  
 Light grey: # 11.03.249

ADHESIVE COVER CAPS



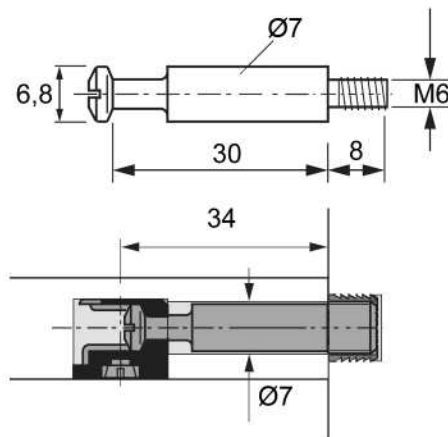
Size: ø20 mm  
 Colours: White, Grey, Black, Ash, Pine, Oak, Beech, Walnut, Cheery, Mahogany, Aluminium.

STEEL DOWEL - EURO THREAD - Ø5MM BORING



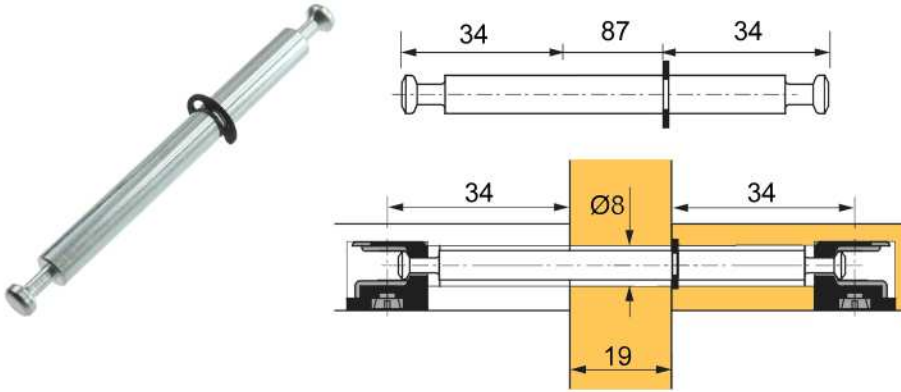
Material: Steel, Bright Zinc Plated  
 Item No. # 11.03.333

STEEL DOWEL M6



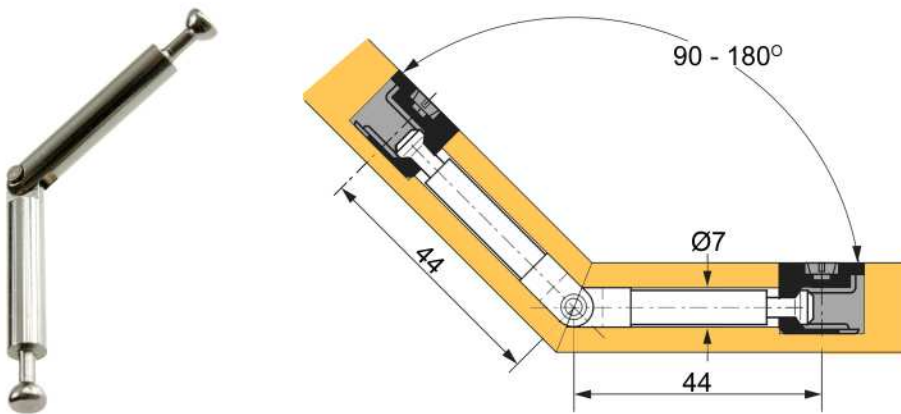
Material: Steel, Bright Zinc Plated  
 Item No. # 11.03.342

DOUBLE DOWEL WITH CIRCLIP



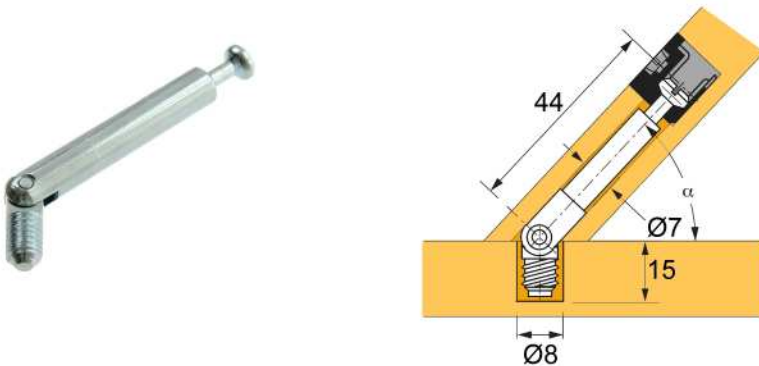
Material: Steel, Bright Zinc Plated  
Item No. # 11.03.350  
Also available without circlip

DOUBLE HINGED MITRE DOWEL FOR ANGLE 90 - 180°



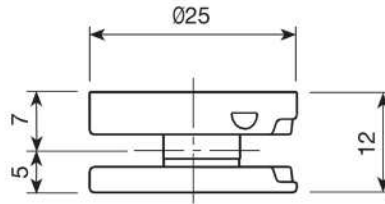
Material: Steel, Bright Zinc Plated  
Item No. # 11.03.355

MITRE DOWEL CONNECTOR M6

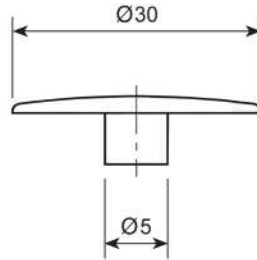


Material: Steel, Bright Zinc Plated  
Item No. # 11.03.361

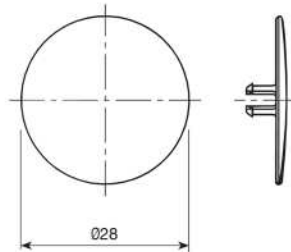




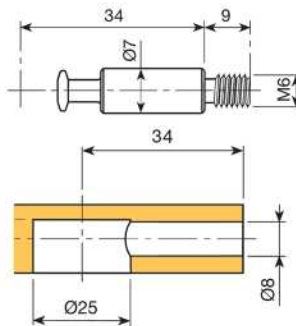
**ZAMAK HOUSING**  
Item No. # 11.03.365



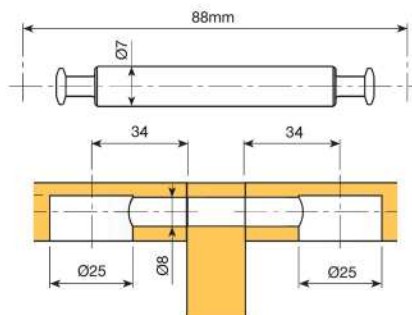
**PLASTIC COVER CAP BROWN**  
Item No. # 11.03.370



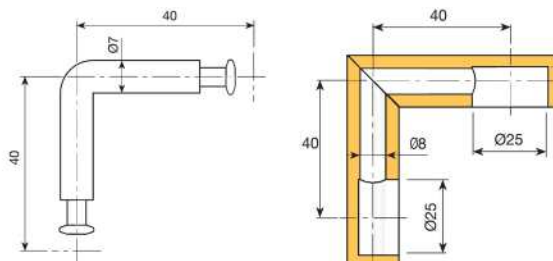
**ZAMAK COVER CAP  
Nickel Plated**  
Item No. # 11.03.375



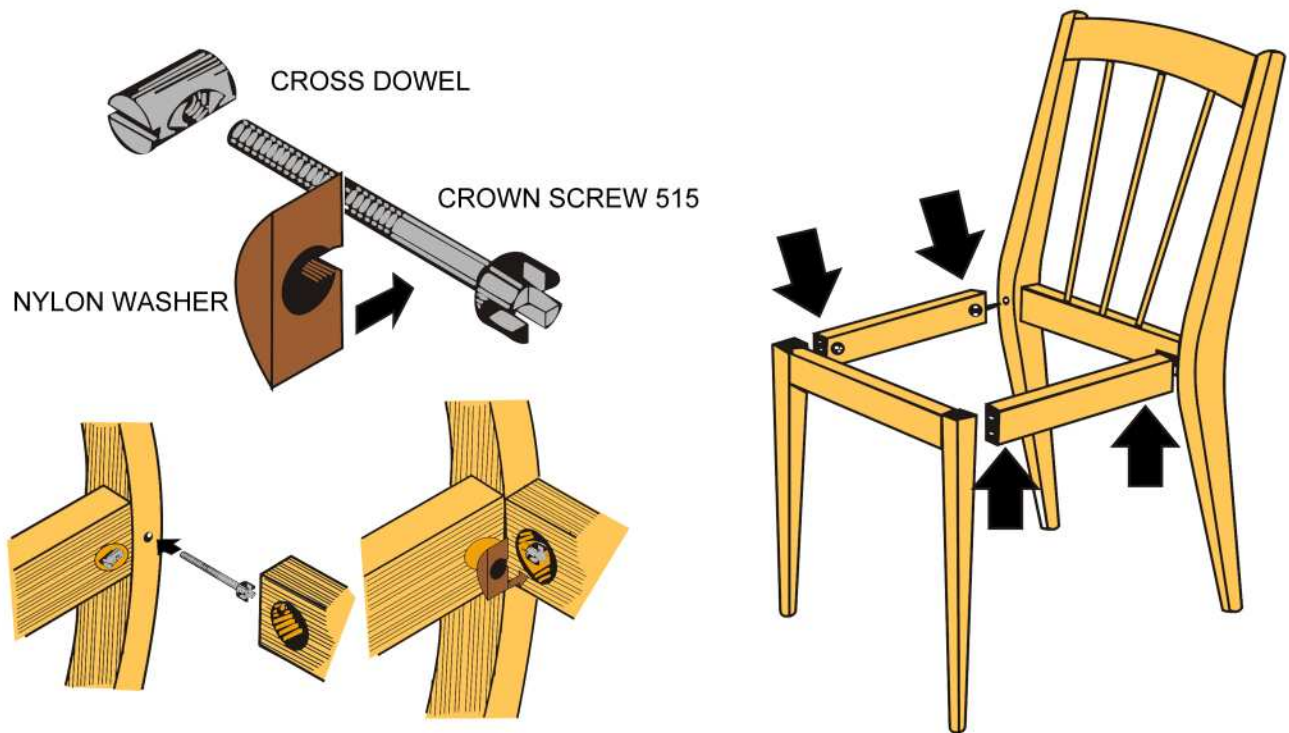
**DOWEL STEEL BZP**  
Item No. # 11.03.380



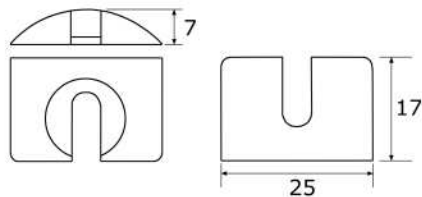
**DOUBLE DOWEL STEEL BZP**  
Item No. # 11.03.385



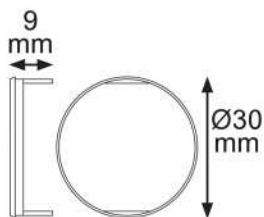
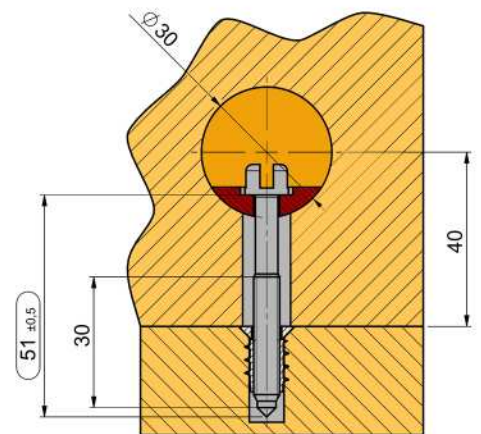
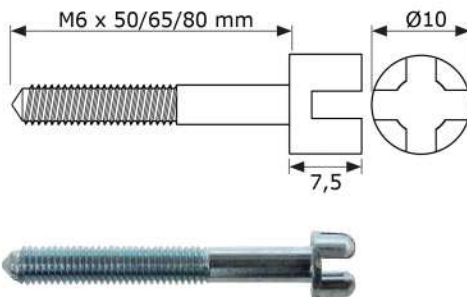
**ANGLED DOWEL STEEL BZP**  
Item No. # 11.03.390



WASHER BROWN  
PA Plastic  
Item No. # 11.04.239



CROWN SCREW POINTED  
BZP  
M6 x 50 mm - # 11.04.028  
M6 x 65 mm - # 11.04.030  
M6 x 80 mm - # 11.04.035



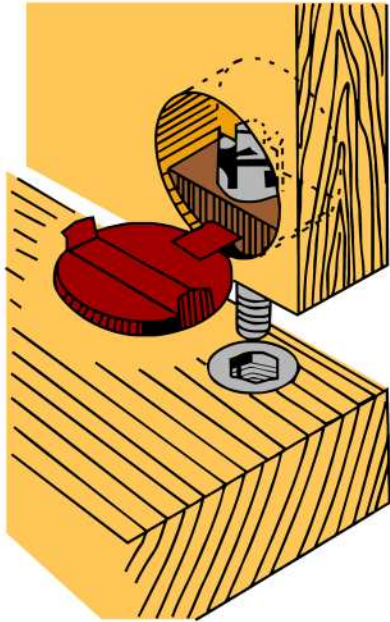
Item No. # 11.04.244  
beige



Item No. # 11.04.246  
white



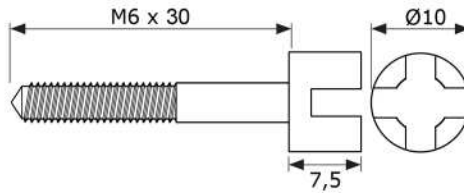
Item No. # 11.04.245  
brown



CROWN SCREW  
No. 515

PLASTIC HOUSING  
Ø 30 mm x 13 mm

CROWN SCREW POINTED  
BZP  
M6 x 30 - # 11.04.020



KD 512  
PLAST HOUSE BROWN  
Item No. # 11.04.010



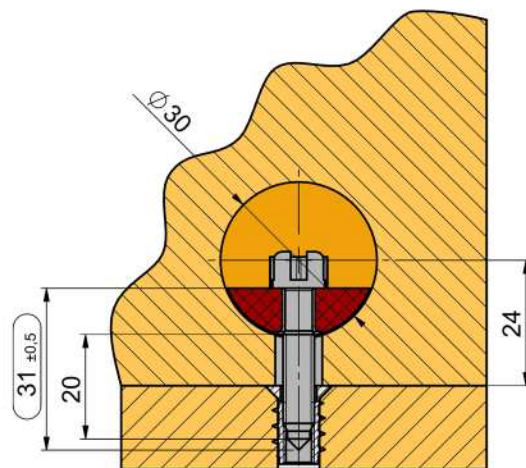
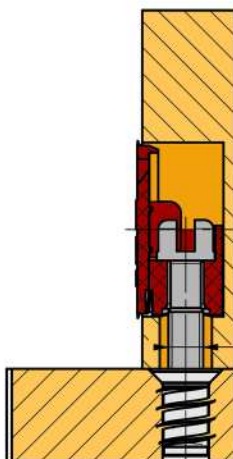
KD 512  
PLAST HOUSE WHITE  
Item No. # 11.04.011



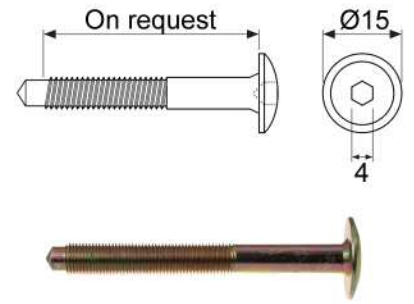
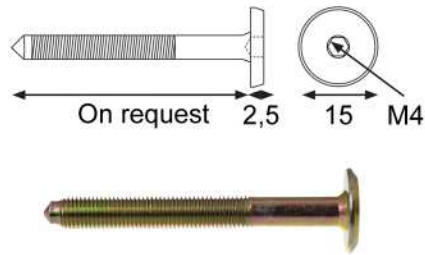
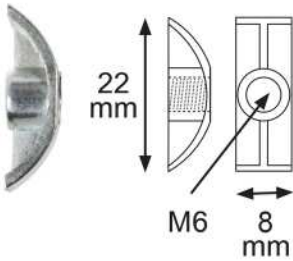
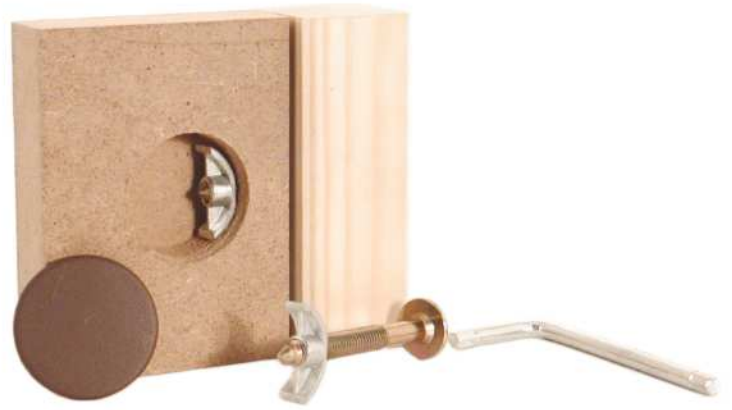
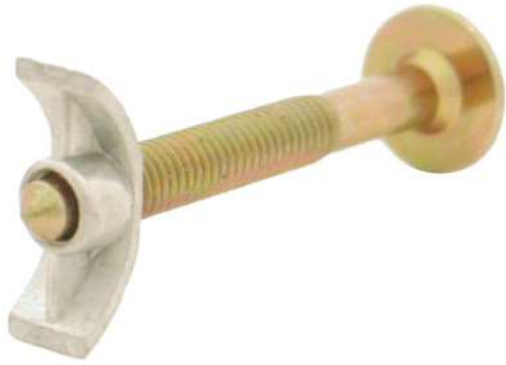
KD 512  
PLAST HOUSE GREY  
Item No. # 11.04.015



KD 512  
PLAST HOUSE BLACK  
Item No. # 11.04.017







**MINI LUNA WASHER**  
Material: Zamak  
Finish: Raw  
Item No. # 11.04.232  
Bore = 30 mm

**FIFTEEN SCREW**  
Material: Steel YZP  
Sizes: M6 x 25 up to 120 mm  
with 5 mm interval.

**MUSHROOM SCREW**  
Material: Steel YZP  
Sizes: M6 x 25 up to 100 mm  
with 5 mm interval.



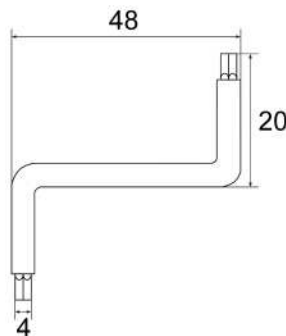
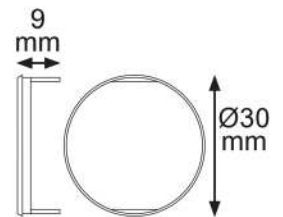
Item No. # 11.04.244  
beige



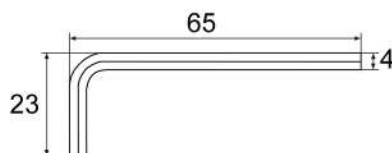
Item No. # 11.04.246  
white



Item No. # 11.04.245  
brown



**Z-SHAPED ALLEN KEY 4 mm**  
HARDENED BZP  
Item No. # 12.06.035



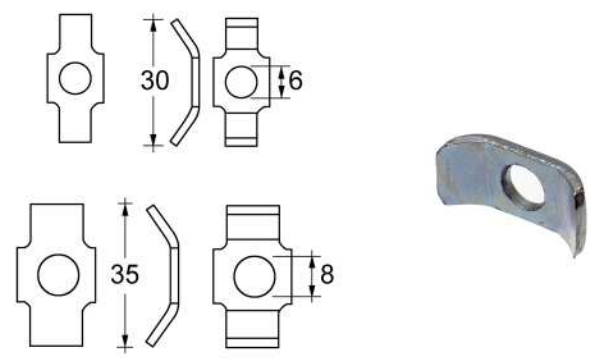
**L-SHAPED ALLEN KEY 4 mm**  
HARDENED BLACK  
Item No. # 12.06.010

METAL WASHER

Material: Steel  
 Finish: BZP

Size: # 11.04.243 - for 6 mm screw and 30 mm bore  
 # 11.04.245 - for 8 mm screw and 35 mm bore

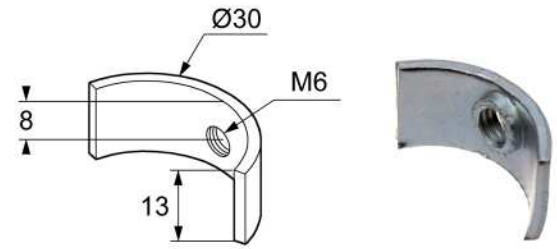
Cover caps  
 # 11.04.244 - 30 mm bore beige  
 # 11.04.245 - 30 mm bore brown  
 # 11.04.246 - 30 mm bore white  
 # 11.03.640 - 35 mm bore brown



METAL WASHER with internal thread M6

Material: Steel  
 Finish: BZP

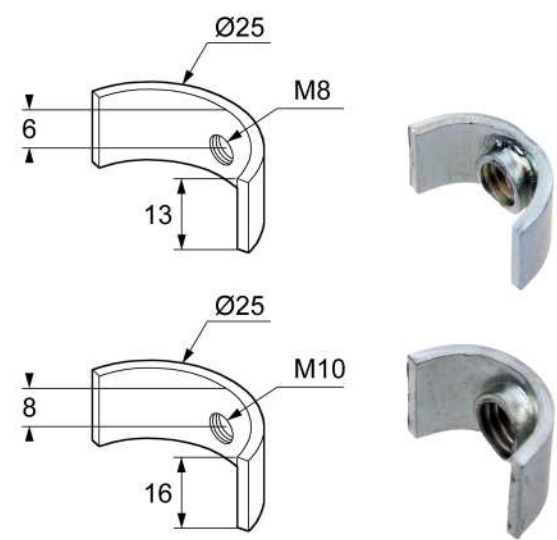
Size: # 11.04.200 - M6 for 30 mm bore



METAL WASHER w/internal thread M8 & M10

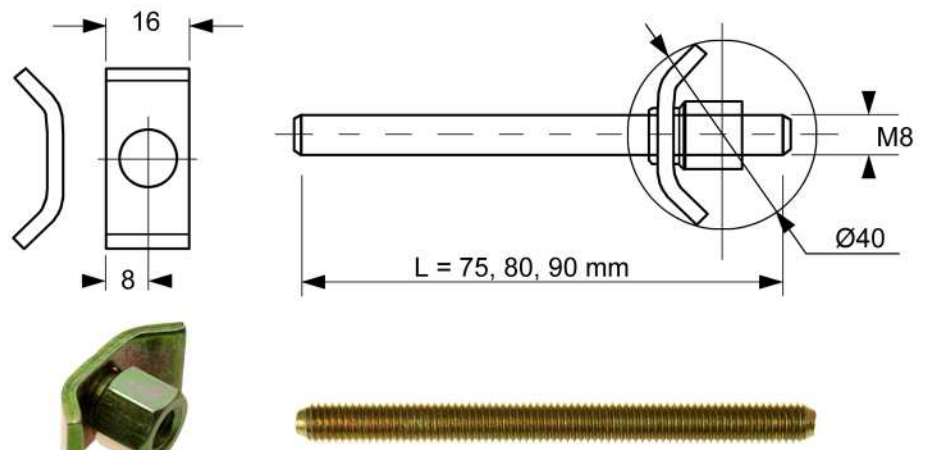
Material: Steel  
 Finish: BZP

Size: # 11.04.210 - M8 for 25 mm bore  
 # 11.04.215 - M10 for 25 mm bore



METAL WASHER with premounted nut

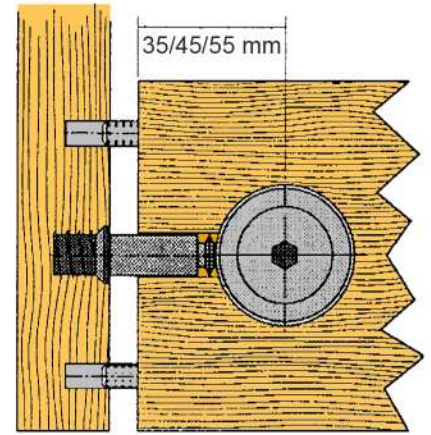
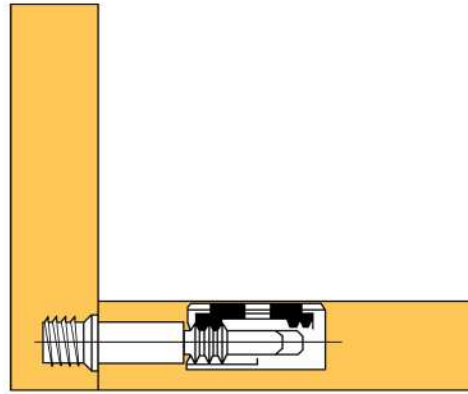
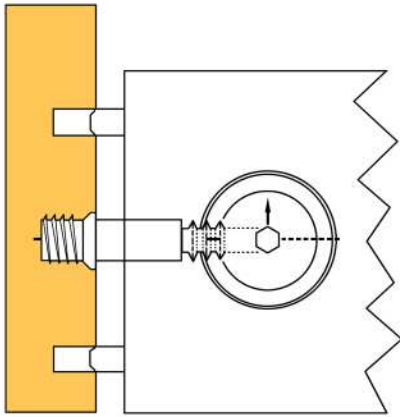
# 11.04.242 - Metal Washer with premounted hexagonal Nut M8 for 40 mm bore



Threaded bolt to be bought separately

"FUERTE" is a heavy duty connector particularly suitable for strong and secure assembly of beds, table frames, panels and cabinets. The housing with its steel worm gear and hardened steel dowel ensures a permanent grip and continual tension.

The system is available for 90 & 180 degrees connections with drilling distances 35, 45 and 55 mm.

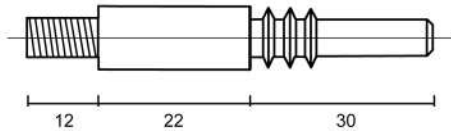


**HOUSING**  
 Material: Housing: Zamak, raw  
 Worm gear: Hardened steel  
 Size: Ø35 x 17 mm  
 Hex hole: 6 mm  
 Item No. # 11.03.610



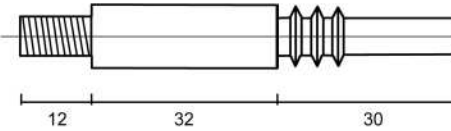
**DOWEL – 64 mm**  
 Material: Hardened steel  
 Size: M8 x 64mm  
 Drill distance: 35 mm  
 Item No. # 11.03.620

Overall length: 64 mm - # 11.03.620



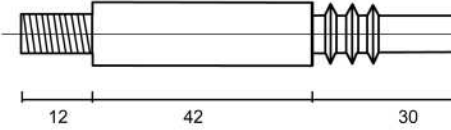
**DOWEL – 74 mm**  
 Material: Hardened steel  
 Size: M8 x 74mm  
 Drill distance: 35 mm  
 Item No. # 11.03.621

Overall length: 74 mm - # 11.03.621



**DOWEL – 84 mm**  
 Material: Hardened steel  
 Size: M8 x 84mm  
 Drill distance: 35 mm  
 Item No. # 11.03.625

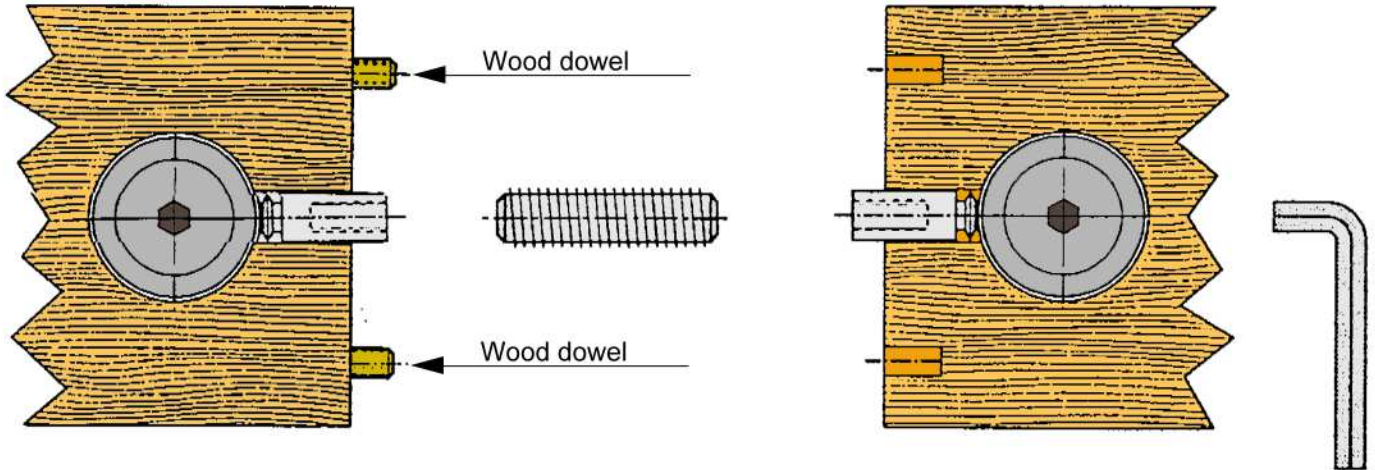
Overall length: 84 mm - # 11.03.625





The 180 degrees connection is ideal for partition walls, kitchen table tops etc.

By use of a "Female" dowel combined with a standard "Male" dowel or 2 female dowels connected with a threaded bolt of any length, a 180 degrees connection is possible.



**HOUSING**  
 Material: Housing: Zamak, raw  
 Worm gear: Hardened steel  
 Size: Ø35 x 17 mm  
 Hex hole: 6 mm  
 Item No. # 11.03.610



# 11.03.620



Steel Dowel, BZP  
 Male Thread: M8  
 O.a.lenght: 64 mm

# 11.03.660



Steel Dowel, BZP  
 Female Thread: M8  
 Standard size: 52 mm

# 11.03.660



Steel Dowel, BZP  
 Female Thread: M8  
 Standard size: 52 mm



Threaded Bolt, M8, no. 1262, any lenght

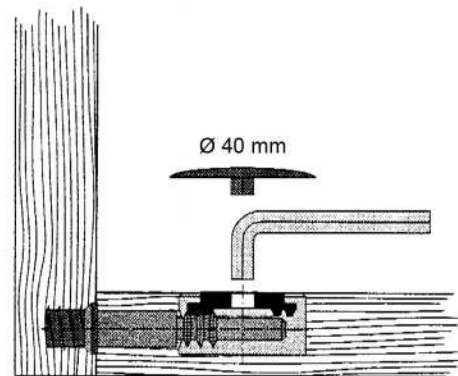
# 11.03.660



Steel Dowel, BZP  
 Female Thread: M8  
 Standard size: 52 mm

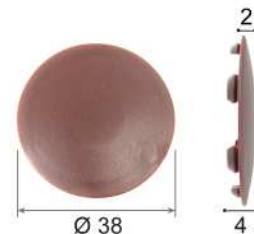
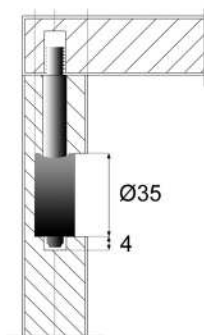
**COVER CAPS W/CENTRE PIN - WHEN HOUSING IS FLUSH MOUNTED**

Material: Nylon  
 Size: Ø40 mm  
 Pin size: Ø6,1 mm  
 Item No.  
 Brown: # 11.03.641  
 Beige: # 11.03.642  
 Black: # 11.03.643  
 White: # 11.03.644



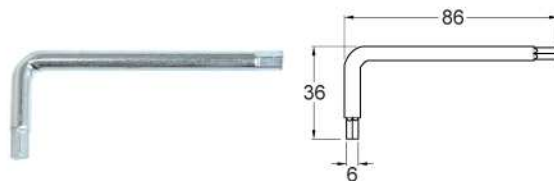
**COVER CAP WITH SIDE GRIP**

Material: Nylon  
 Overall size: Ø 38 mm  
 Inner size: Ø 35 mm  
 Item No.  
 Brown: # 11.03.640



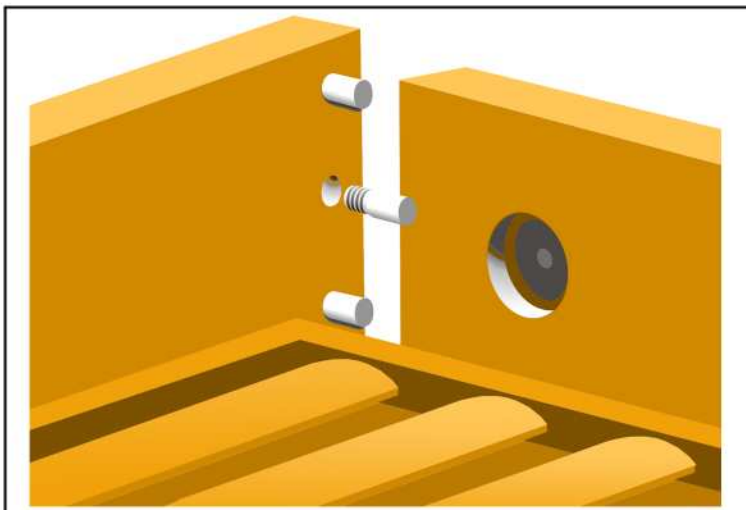
**L-SHAPED 6 MM HEX KEY**

Material: Hardened steel, BZP  
 Size: 36 x 86 mm  
 Hex: 6 mm  
 Item No. # 11.03.650

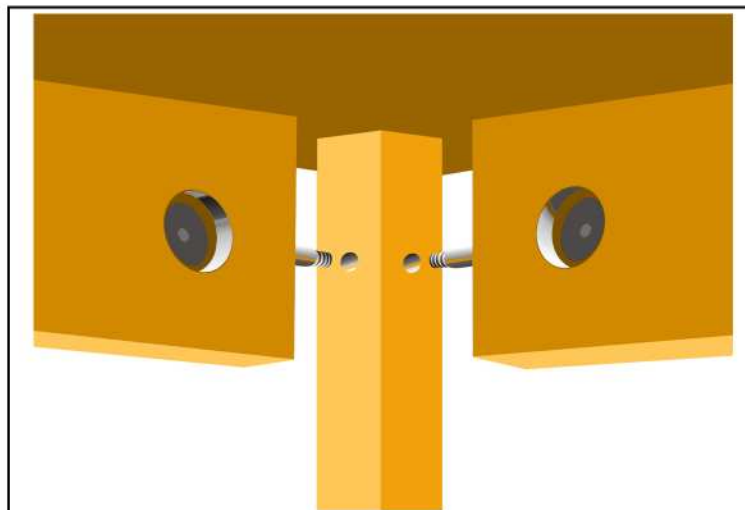


**MOUNTING EXAMPLES**

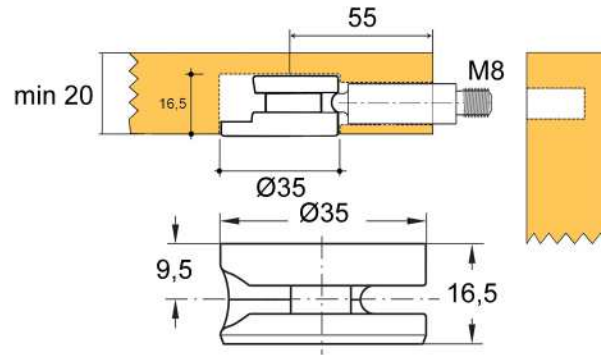
**BED**



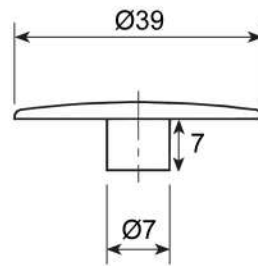
**TABLE**



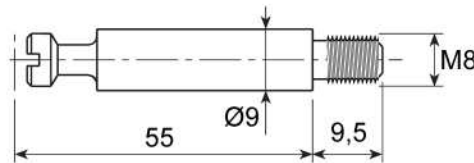
# JUMBO FIX - Ø35 mm



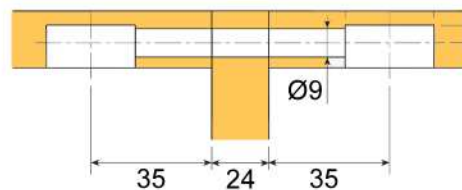
**ZAMAK HOUSING - Ø35 MM**  
Item No. # 11.03.400



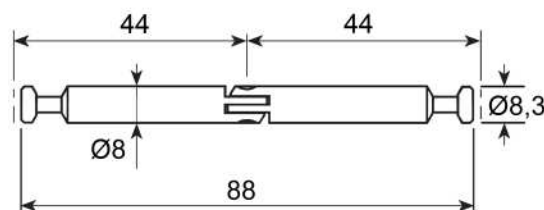
**PLASTIC COVER CAP BROWN**  
Item No. # 11.03.440



**DOWEL STEEL BZP M8 X 50**  
Item No. # 11.03.410

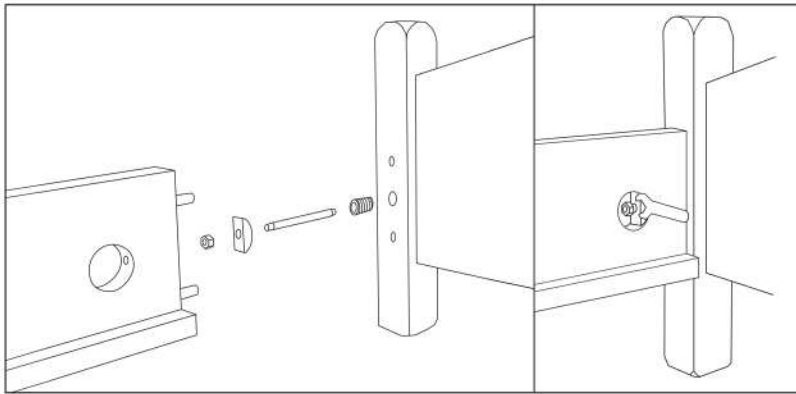


**DOUBLE DOWEL STEEL BZP**  
Item No. # 11.03.415



**HINGED DOUBLE DOWEL STEEL BZP**  
Item No. # 11.03.420





**MAXI LUNA WASHER**

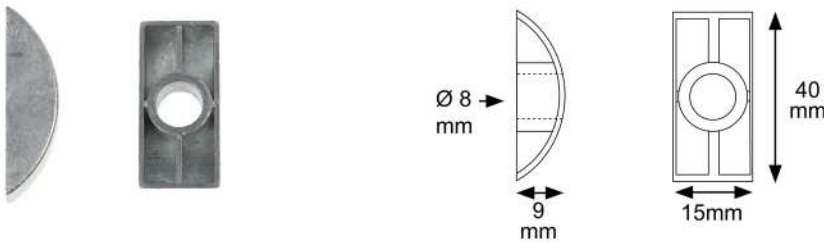
Item No. # 11.04.230

Material: Zamak

Finish: Raw

Bore: Ø40 mm

Hole: Ø8 mm

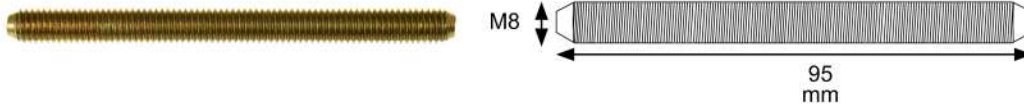


**THREADED BOLT Coned Ends**

Item No. # 12.08.647

Material: Steel, YZP

Size: 95 mm x M8



**SCREW IN BUSHING**

BL-SK 830 with closed End

Material: Steel, YZP

Size: ø 15 x 30 mm x M8

Item No. # 12.10.176



**HEXAGONAL NUT DIN 934**

Item No. # 12.12.016

Material: Steel, YZP

Thread: M8



**SPANNER**

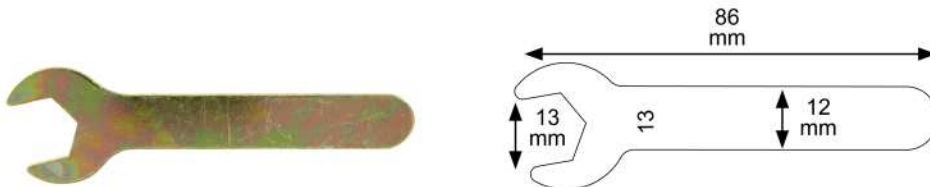
Open - Flat - M8/13 mm

Material: Mild Steel, YZP

Item No. # 12.06.150

Hardened Steel, YZP

Item No. #12.06.155



**COVER CAP**

Material: Plastic

Bore: ø 40 mm

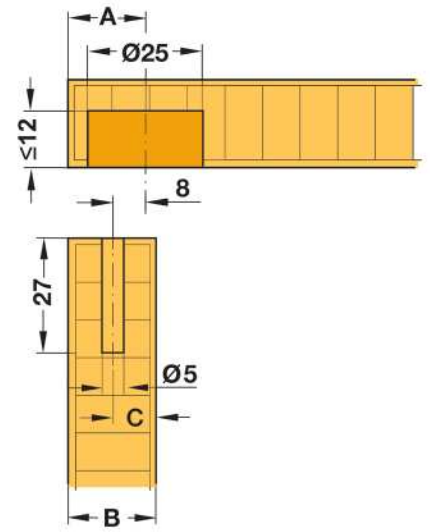
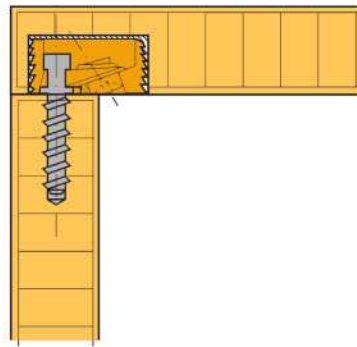
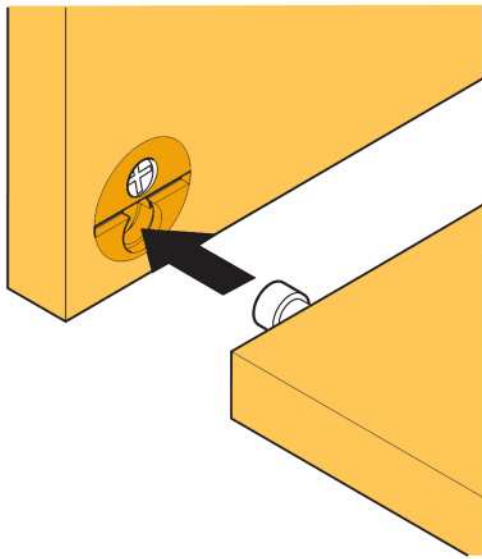
Colours:

Brown: # 11.04.247

White: # 11.04.248

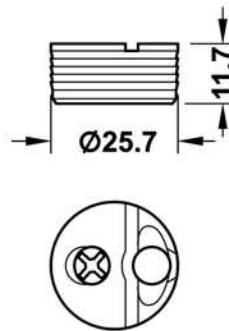
Beige: # 11.04.249



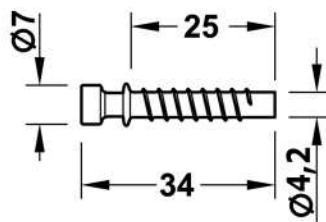


Drilling dimensions calculation:  $A = B - C + 8 \text{ mm}$

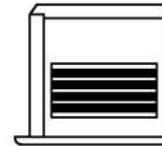
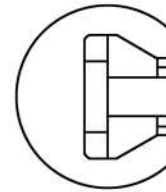
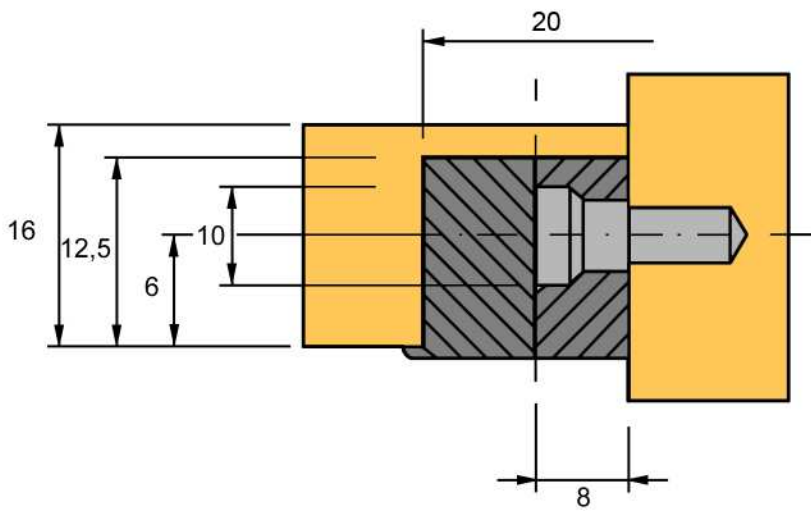
SISOJOINT 42/07  
 # 11.04.136 - white  
 # 11.04.137 - black  
 # 11.04.138 - dark brown  
 # 11.04.139 - beige



SCREW FOR SISOJOINT 42/07  
 Item no. # 11.04.140



## SNAPFIX

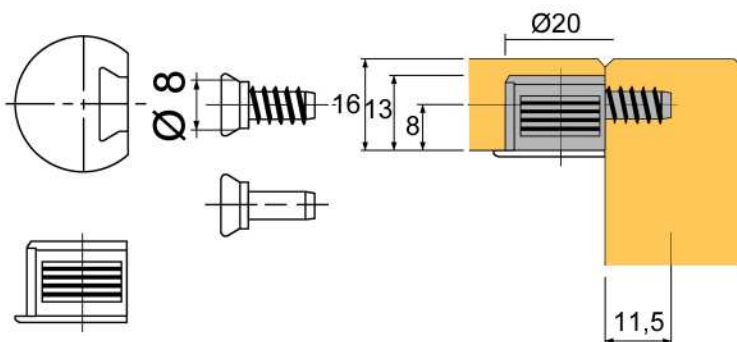


PANEL THICKNESS	16 mm	19 mm
brown	# 11.04.500	# 11.04.525
white	# 11.04.501	# 11.04.526
black	# 11.04.502	# 11.04.527
beige	# 11.04.503	# 11.04.528

Euro screw 6,3 x 13 mm flat head # 11.04.634  
Other sizes available upon request.



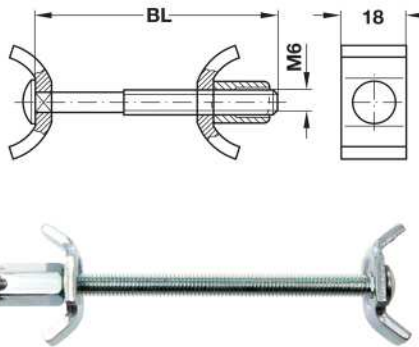
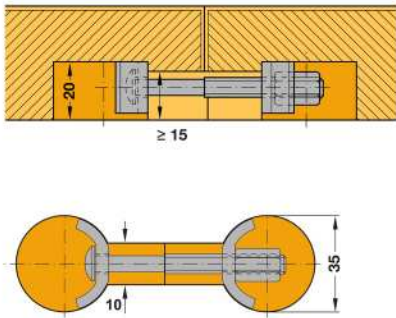
## SNAPFIX "S"



# 11.04.529 - white
# 11.04.530 - black
# 11.04.531 - beige
# 11.04.532 - oak
# 11.04.533 - brown
#11.04.618 - special euroscrew With large head 6,3 x 11,5 mm BZP

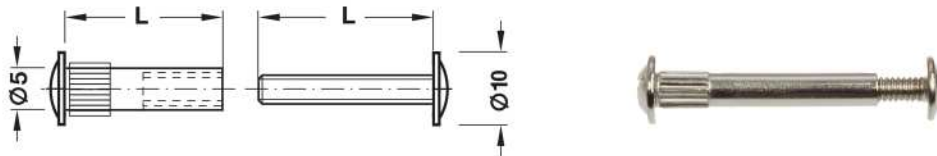


WORK TOP CONNECTOR



- Size BL
- # 11.04.425 - M6 x 65 mm
  - # 11.04.427 - M6 x 100 mm
  - # 11.04.150 - M6 x 150 mm
  - # 11.04.200 - M6 x 200 mm

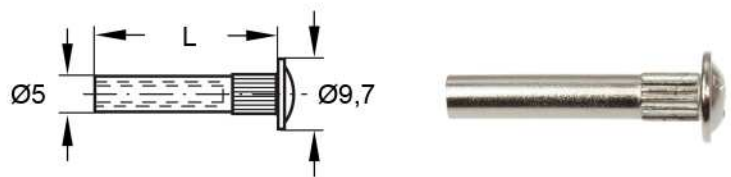
METAL CONNECTING SCREWS for 5 mm BORE



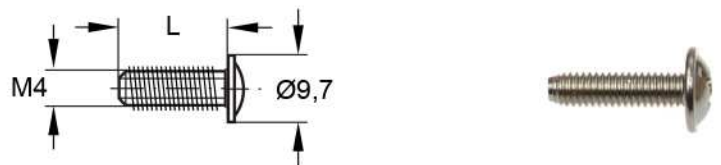
Wood thickness	SCREW „L”	TUBE „L”	NPL	BPL	BRZ	BLK
19-23 mm	M4 x 14 mm	M4 x 15 mm	u p o n r e q u e s t			
21-30 mm	M4 x 14 mm	M4 x 20 mm	# 11.06.730	u p o n r e q u e s t		
26-35 mm	M4 x 14 mm	M4 x 25 mm	# 11.06.735	u p o n r e q u e s t		
28-37 mm	M4 x 14 mm	M4 x 27 mm	# 11.06.740	u p o n r e q u e s t		
31-40 mm	M4 x 17 mm	M4 x 27/30 mm	# 11.06.750	# 11.06.751	# 11.06.752	# 11.06.753

INDIVIDUAL COMPONENTS for 5 mm BORE

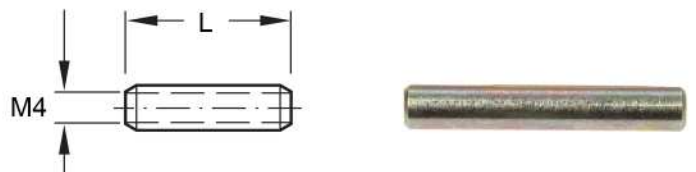
TUBE M4 size:  
 L = 15, 20, 22, 25, 27, 30, 35, 40 mm  
 L = 20 mm BPL # 11.06.709  
 L = 25 mm NPL # 11.06.714  
 L = 27 mm BRZ # 11.06.713  
 L = 30 mm BLK # 11.06.711  
 L = 35 mm NBL # 11.06.756

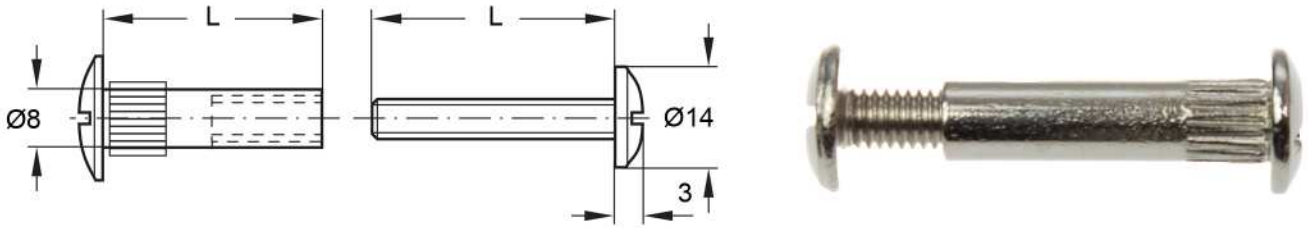


SCREW M4 size:  
 L = 10, 14, 18, 20, 22, 25, 30, 35 mm  
 L = 12 mm PLAIN # 11.06.718  
 L = 14 mm NPL # 11.06.719  
 L = 14 mm BRZ # 11.06.729  
 L = 15 mm NPL # 11.06.721



THREADED TUBE M4 X 5 mm  
 diam. x lengths L= 15, 22, 25, 30, 45 & 50 mm  
 Material: Steel, yellow zinc plated  
 L= 15 mm # 11.06.695  
 L= 22 mm # 11.06.700  
 L= 30 mm # 11.06.701  
 L= 50 mm # 11.06.702

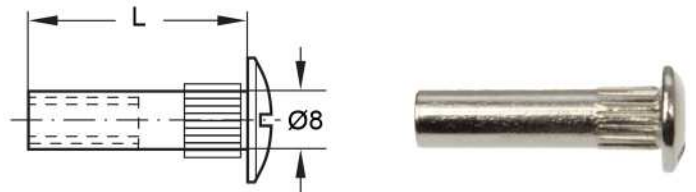




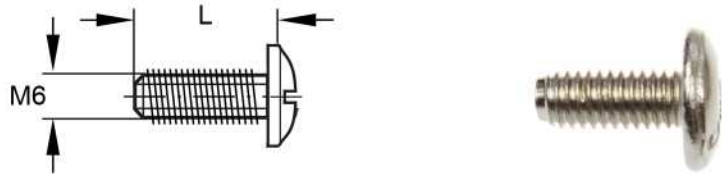
Wood thickness	SCREW „L”	TUBE „L”	NPL	BPL	BRZ	BLK
19-23 mm	M6 x 14 mm	M6 x 15 mm	u p o n r e q u e s t	u p o n r e q u e s t	u p o n r e q u e s t	u p o n r e q u e s t
20-28 mm	M6 x 14 mm	M6 x 20 mm	u p o n r e q u e s t	u p o n r e q u e s t	u p o n r e q u e s t	u p o n r e q u e s t
26-33 mm	M6 x 14 mm	M6 x 25 mm	# 11.06.902	# 11.06.901	# 11.06.900	# 11.06.898
30-38 mm	M6 x 14 mm	M6 x 31 mm	# 11.06.912	# 11.06.913	# 11.06.910	# 11.06.911
33-45 mm	M6 x 20 mm	M6 x 31 mm	# 11.06.904	# 11.06.915	upon request	
40-50 mm	M6 x 20 mm	M6 x 38 mm	# 11.06.920	# 11.06.922	# 11.06.921	
50-60 mm	M6 x 30 mm	M6 x 38 mm	upon request		# 11.06.930	# 11.06.925

## INDIVIDUAL COMPONENTS FOR 8 MM BORE

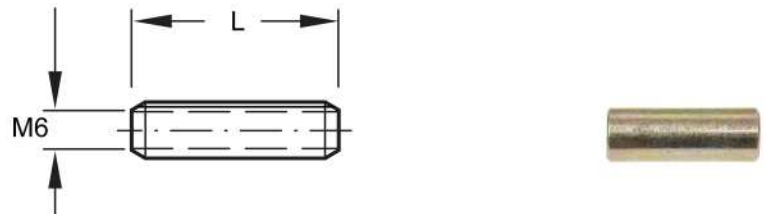
**TUBE M6 size:**  
L = 12, 15, 20, 25, 28, 31, 38 mm upon request



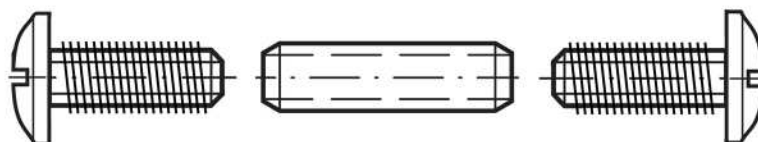
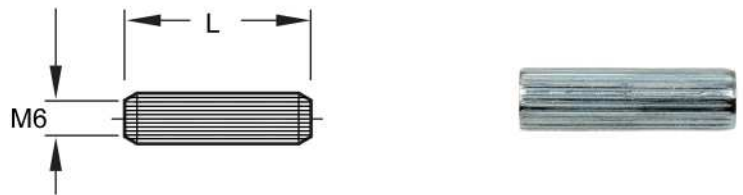
**SCREW M6 size:**  
L = 14, 20, 25, 30, 35, 45 upon request



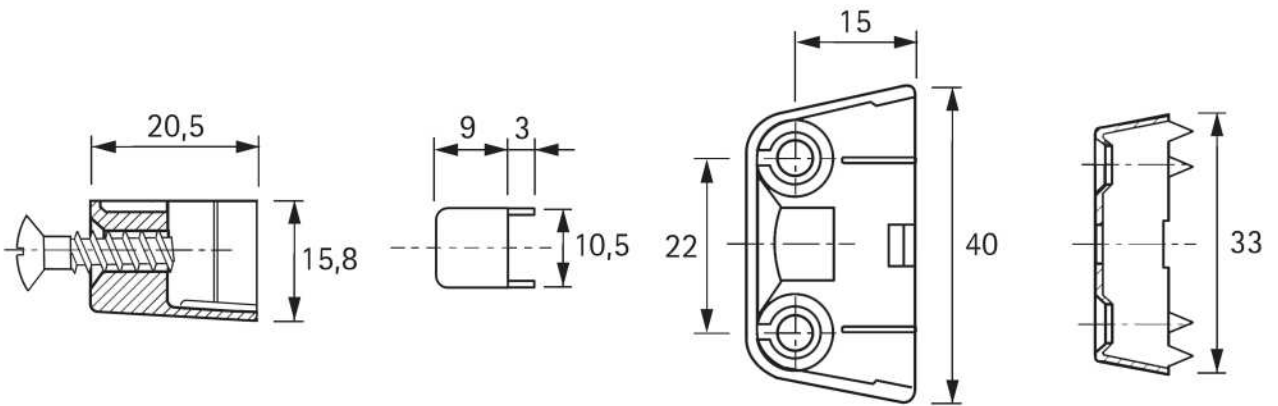
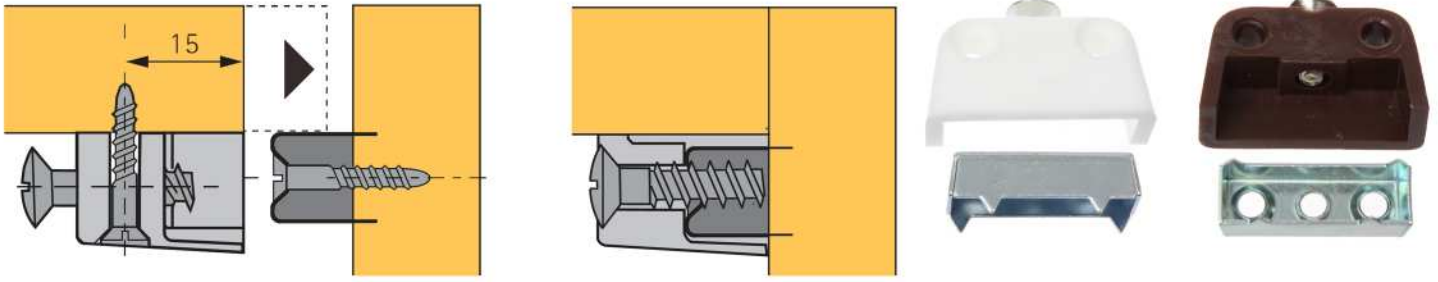
**THREADED TUBE M6 x 8 mm diam x lengths**  
L = 18, 20, 22 mm



**MULTI GROOVED TUBE - 8 mm diam.**  
L = 27, 33

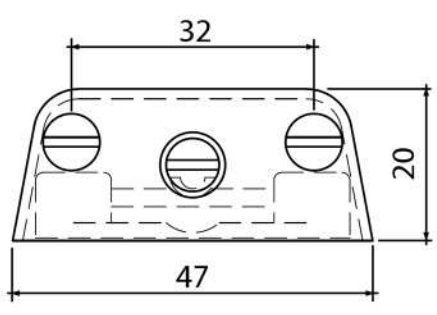
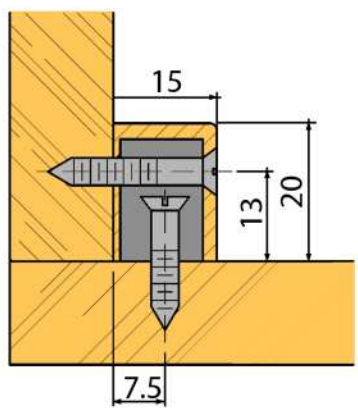


# CORNER BLOCKS



**CORNER BLOCK 3554 - SCEW ON TYPE**  
 # 11.05.028 - brown / inner part BZP  
 # 11.05.033 - white / inner part bright zinc plated

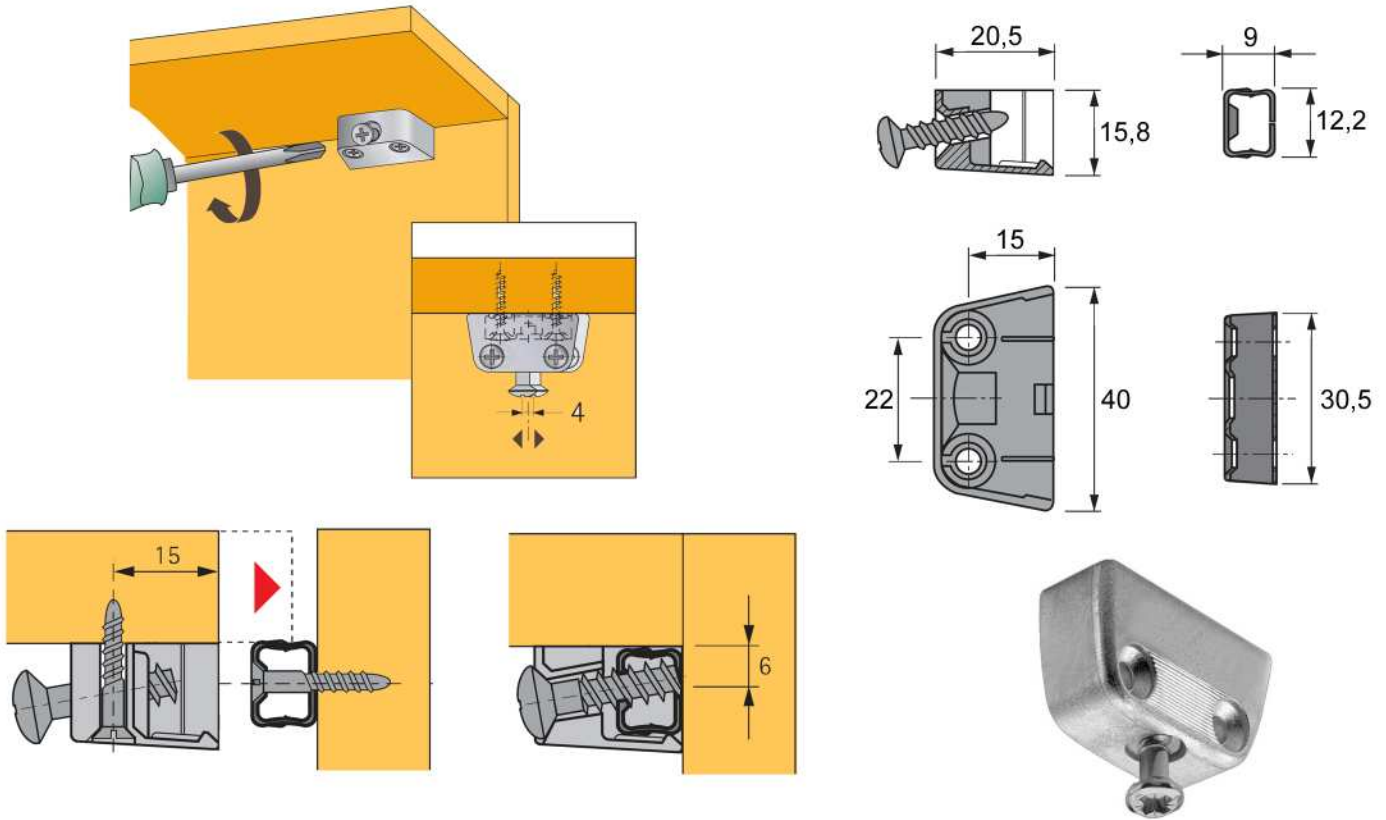
Plastic outer Housing / inner part BZP  
 TWO PART QUICKFAST KNOCK DOWN FITTING  
 Apply 4 screws 4,0 mm



**CORNER BLOCK 3600**  
 # 11.05.061 - brown  
 # 11.05.060 - white

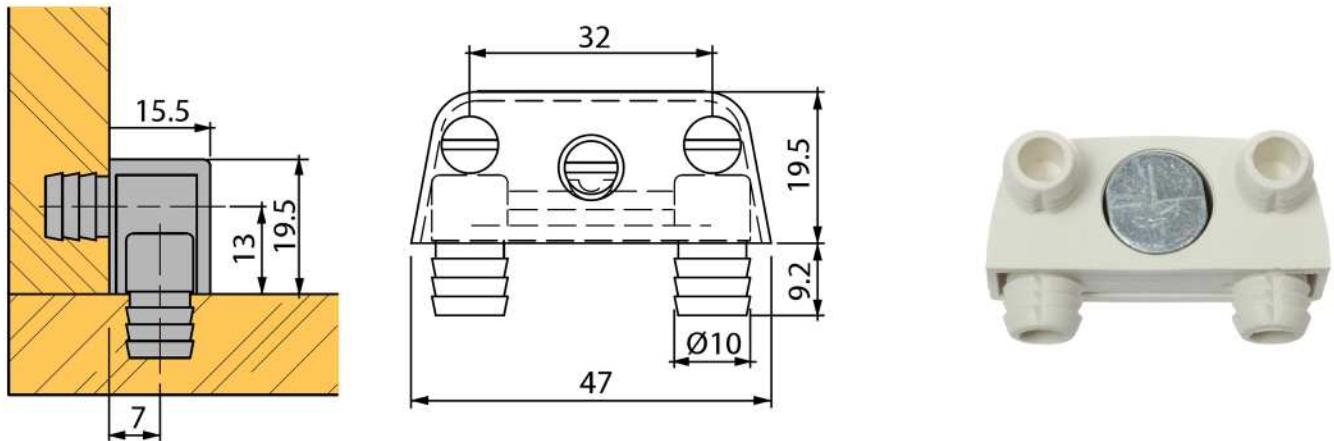
Plastic outer Housing with zamak camfix inside  
 inner part plastic  
 Apply 2 screws 3,5 mm for the housing and 2 screws 4,0 for the inner part





**CORNER BLOCK "STRONG" - SCREW ON TYPE**  
# 11.05.035 - nickel plated

Outer housing zamak with premounted steel screw  
inner part steel  
Apply 4 screws 4,0 mm



**CORNER BLOCK "KNOCK IN TYPE"**

# 11.05.020 - white  
# 11.05.025 - brown

Outer housing plastic with knock in dowels and with zamak camfix inside / inner part plastic with 2 dowels

CORNERFIX NO. 100 WITH COVER - apply 2 screws 4 mm



# 11.05.200  
white



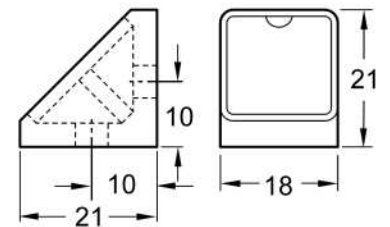
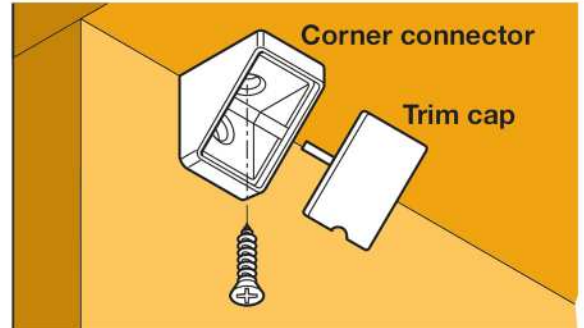
# 11.05.220  
RAL 8001  
light brown



# 11.05.210  
RAL 8017  
dark brown



# 11.05.240  
black



CORNERFIX NO. 200 WITH COVER - apply 4 screws 4 mm



# 11.05.110  
RAL8001  
brown



# 11.05.130  
ivory



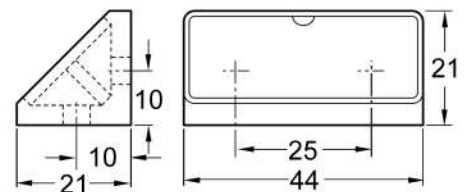
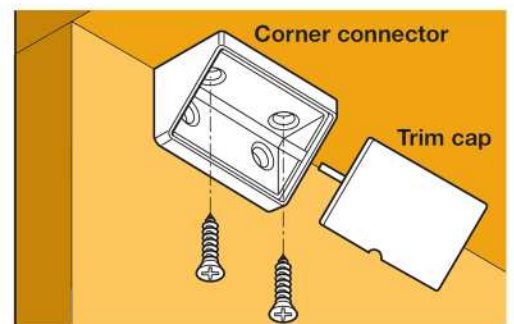
# 11.05.150  
black



# 11.05.120  
RAL8017  
dark brown

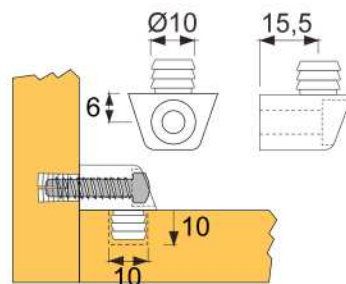


# 11.05.140  
white

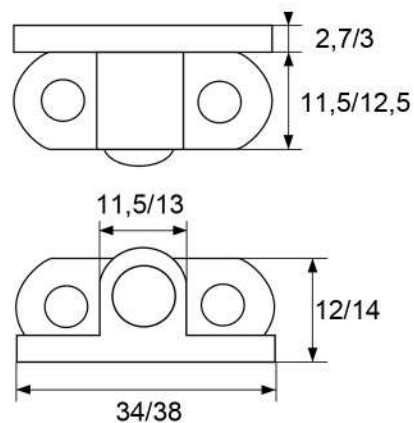


**CORNERFIX NO. 300**  
 plastic housing  
 apply panhead screw 4,5 mm  
 or euroscrew panhead 6,3 mm

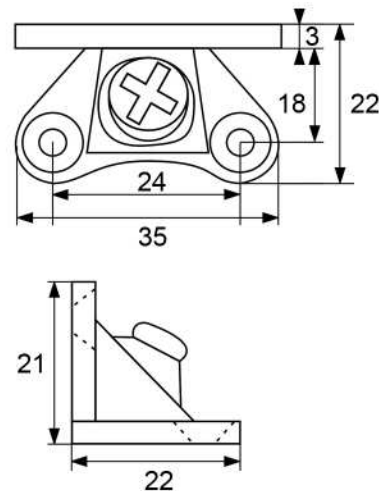
# 11.05.810 - white  
 # 11.05.811 - brown upon request  
 minimum 10.000 pcs.



**CORNERFIX MODEL "DAN"**  
 ALL METALL  
 with premounted screws

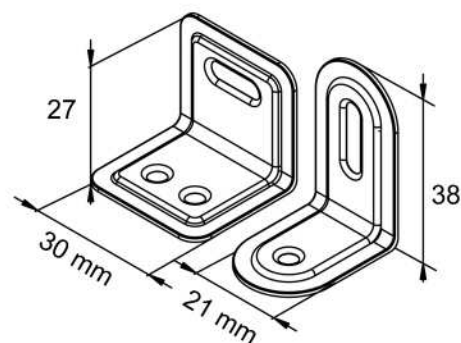
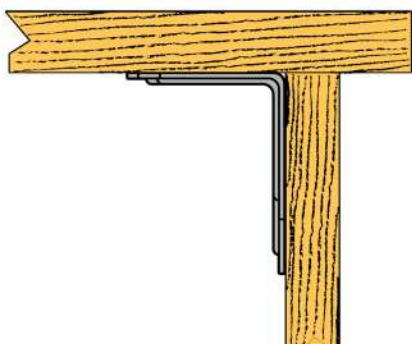


**CORNER FIX "BUTTERFLY"**  
 Material: Zamak, raw  
 With premounted connecting screw  
 Item No. # 11.05.100



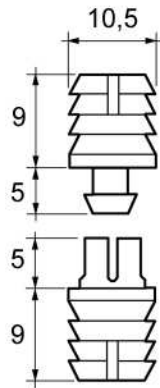
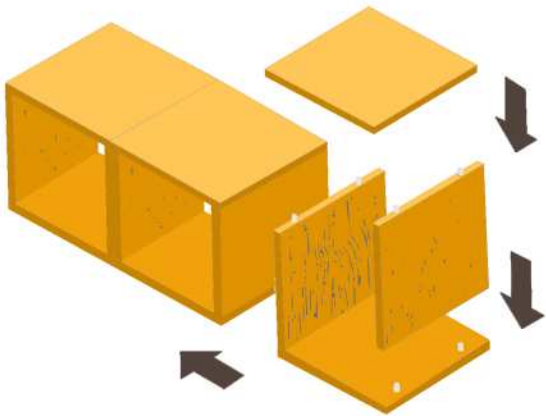
**METAL CORNER CLIP**

Material:	Steel 1 mm	Screw holes:	ø 4 mm
Finish:			Bright Zinc Plated
Size:	21 x 38 x 28 mm	# 24.09.010	
	30 x 27 x 27 mm	# 24.09.020	





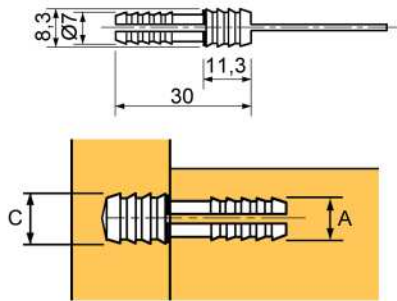
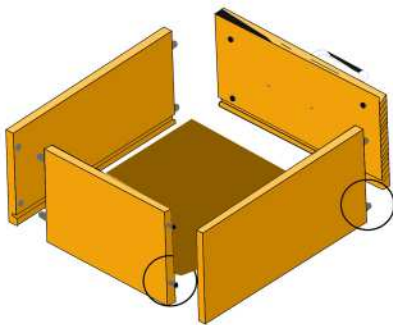
## SNAP FITTING



# 11.06.012 - male part only  
 # 11.06.013 - female part only  
 Delivered in strips  
 Disassembly possible



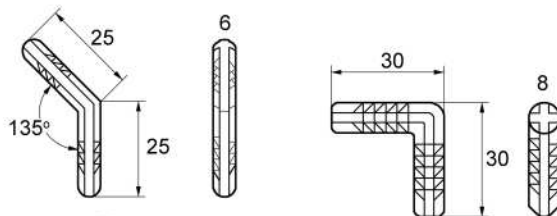
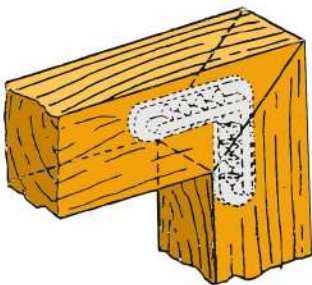
## EXPANSION DOWEL



Applied for assembly of drawers  
 and smaller cabinets  
 Model 1703 - # 11.06.021  
 A=6,3 - 6,4 mm  
 C= 8 mm



## MITRE DOWEL

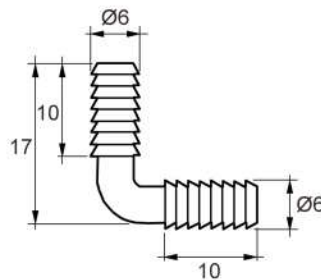
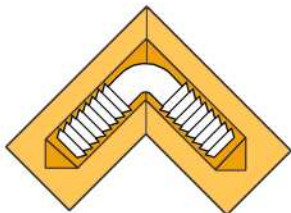


NO. 2522

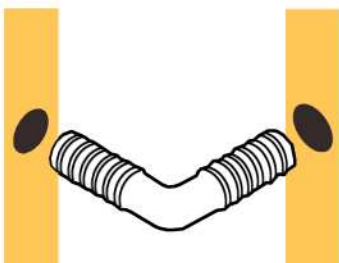


NO. 2521

MODEL 2522 - # 11.06.052  
 MODEL 2521 - # 11.06.050  
 Material: Polyethylene - white



MODEL 146 - # 11.06.055  
 Material: Polyethylene - white

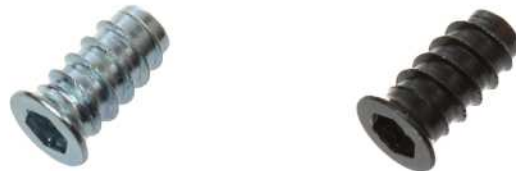
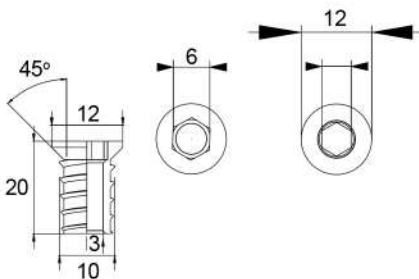
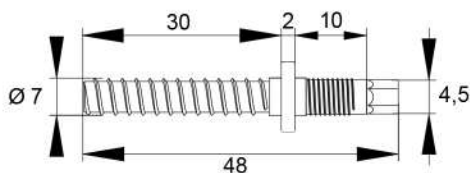
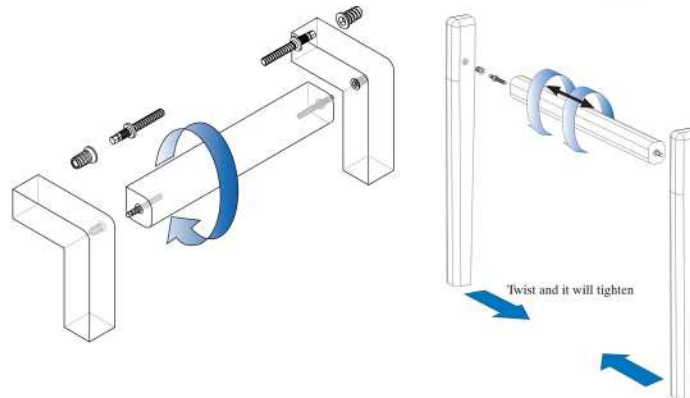
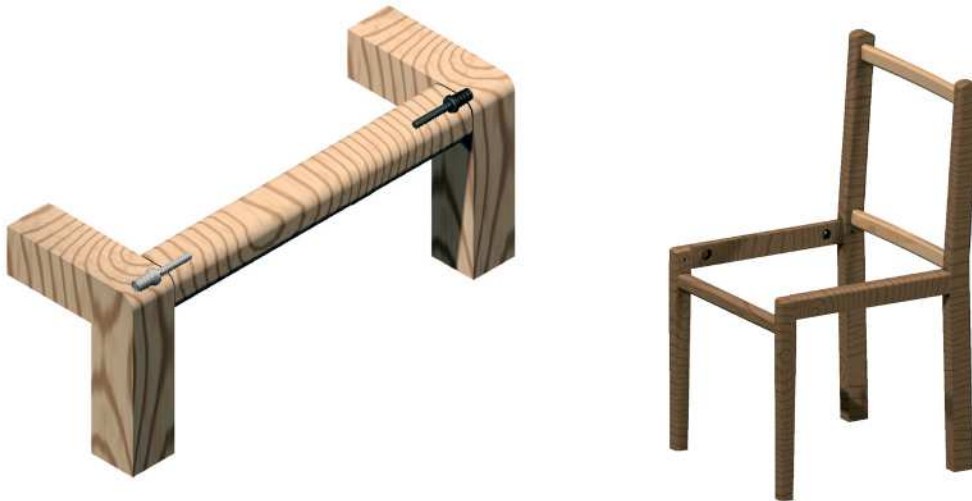


## TWIST & TIGHT - CHAIR ASSEMBLY

Ideal knock down system for assembly of chairs.

Due to the combination of a left + right hand thread you can TIGHTEN the cross bars on your chair in one TWIST (move).

A system which gives the end-user the possibility of retightening the chair.



Right turn in black zinc plated

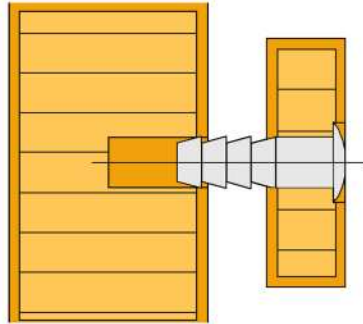
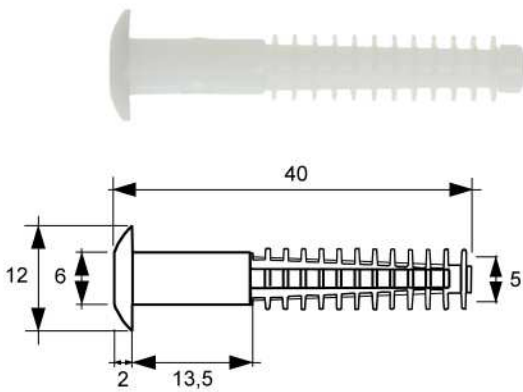
No. # 11.04.315 - bushing 1/4" x 20 mm - bore 8 mm

No. # 11.04.320 - twister dowel 7 x 31 mm bore 5 mm / 1/4" x 16 mm

Left turn in bright zinc plated

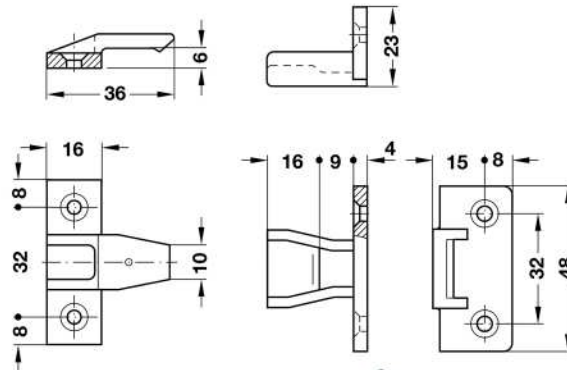
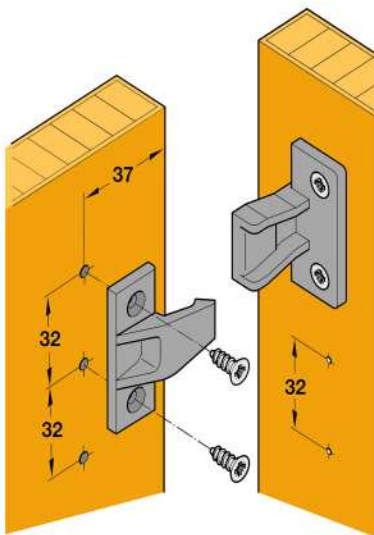
No. # 11.04.305 - bushing 1/4" x 20 mm bore 8 mm

No. # 11.04.325 - twister dowel 7 x 31 mm bore 5 mm / 1/4" x 16 mm



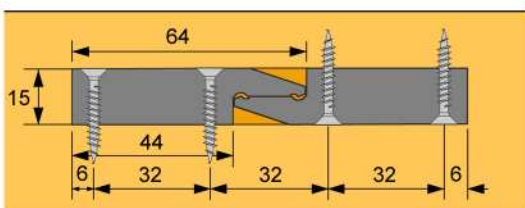
# 11.06.757  
 Widely applied in the upholstery industry as arm facing fixing dowel and as a connector in wooden drawers etc.  
 Other sizes upon request.

## CLIP CONNECTOR



Panel connector & all round construction fitting.  
 Material: Plastic, Black  
 Item No.: # 11.05.600

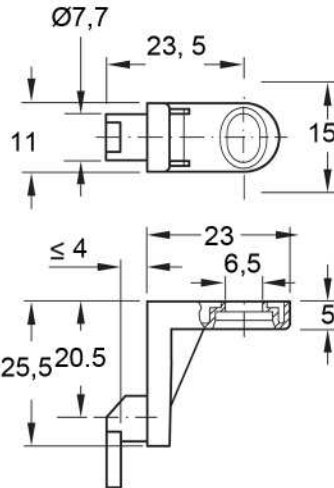
## MULTI CLIP



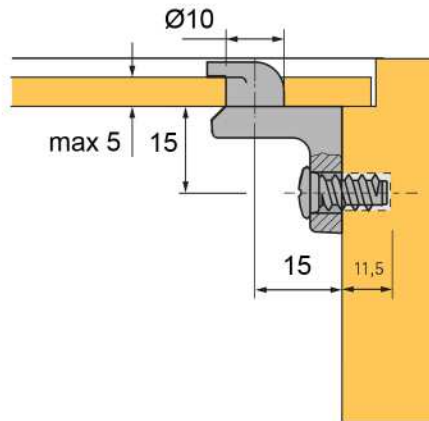
Multi purpose construction fitting mainly used on panels which can be assembled & disassembled.  
 Material: Plastic, Black  
 Item No. # 11.05.610



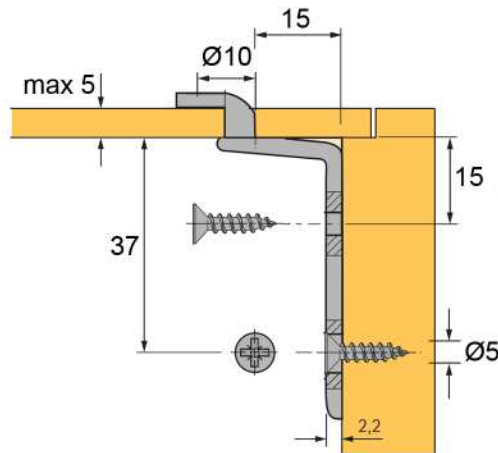
**REAR CONNECTOR RV 3**  
 # 11.05.500 - brown  
 # 11.05.520 - white  
 Short arm for 3-5 mm rear panel. Apply screw 5.0-5,5 mm



**REAR PANEL CONNECTOR VB-202**  
 # 11.05.510 - zamak nickel plated  
 short arm for rear panel max 5 mm. Apply screw 3,5 mm

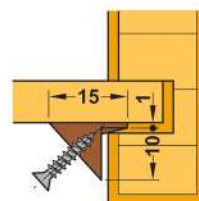


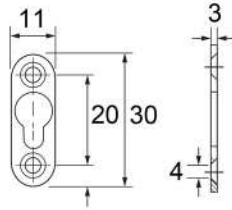
**REAR PANEL CONNECTOR VB-500**  
 # 11.05.520 - zamak nickel plated  
 long arm for rear panel max 5 mm. Apply screw 3,5 mm and 5,5 mm



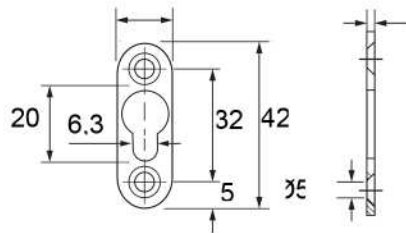
**STABILIZER FOR DRAWERS AND BACK PANELS**

# 11.05.XXX - with premounted screw available in different colours  
 # 11.05.XXX - without screw in different colours

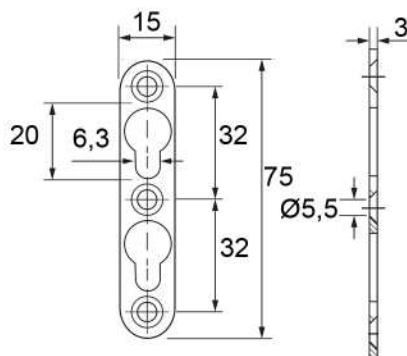




**MODEL 700 - # 11.06.813**  
 Single hole steel BZP  
 Stamped fitting made of heavy gauge steel for mounting pictures, shelves, notice boards, ornaments clocks etc.  
 Designed to be attached to a surface or inlay, allowing a 5,0 mm countersunk or panhead screw to be inserted into the hole and retained by the lower narrow space, and 4,0 mm screw for attachment of the fixture to the panel.

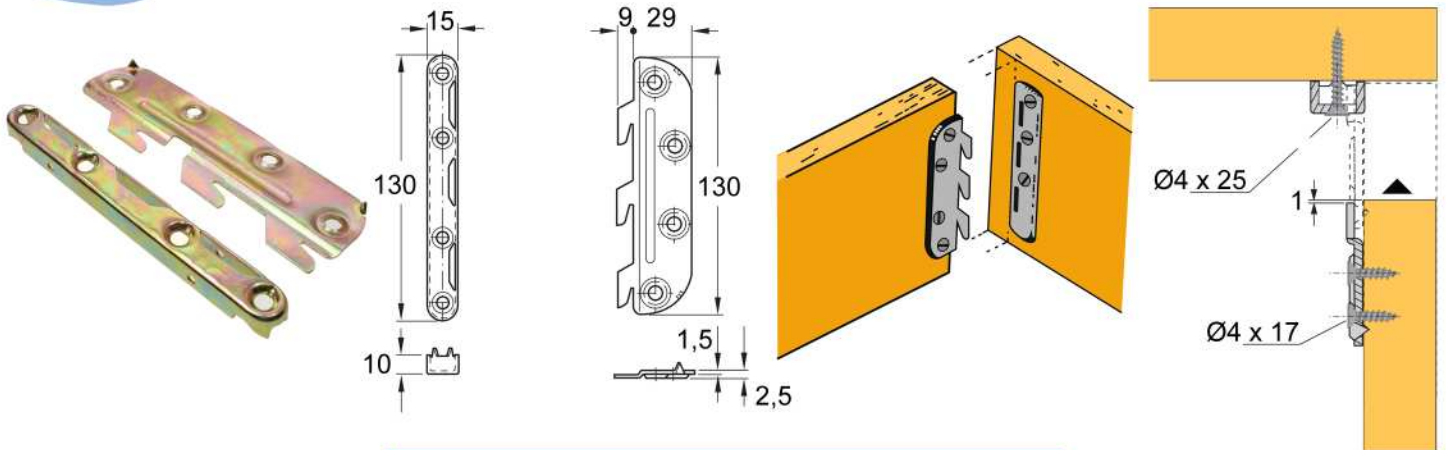


**MODEL 726 - # 11.06.810**  
 Single hole steel BZP  
 Stamped fitting made of heavy gauge steel for mounting pictures, shelves, notice boards, ornaments clocks etc.  
 Designed to be attached to a surface or inlay, allowing a 5,0 mm countersunk or panhead screw to be inserted into the hole and retained by the lower narrow space, and 4,0 mm screw for attachment of the fixture to the panel.

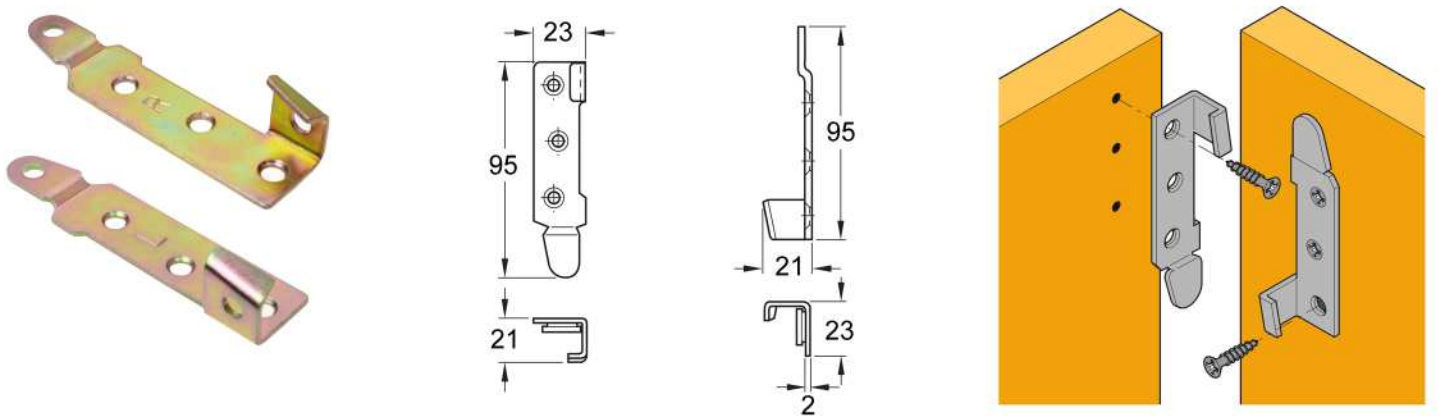


**MODEL 724 - # 11.06.800**  
 Twin hole steel BZP  
 multipurpose fitting apply 5,0 mm panhead or countersunk screws to be inserted and retained and 4,0 mm screw for attachment of the fixture to the panel.

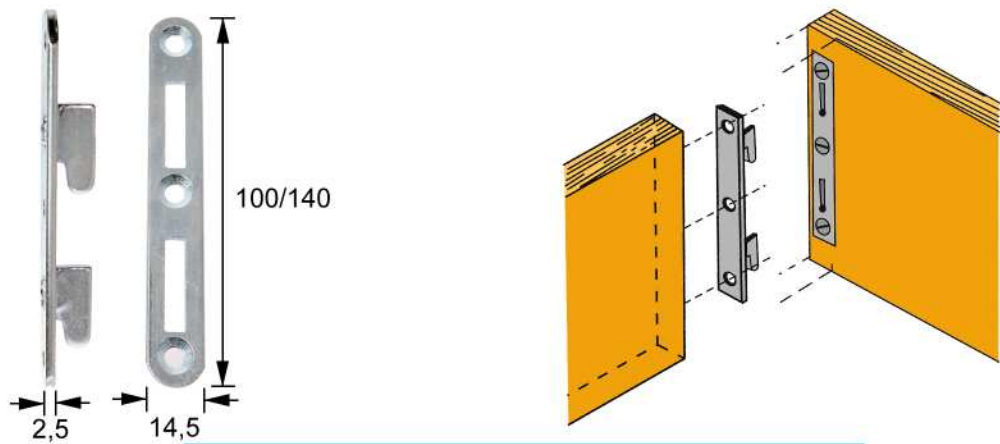
**BED FITTINGS**



MODEL 3750 - Bed Rail Bracket  
 # 11.01.060 - steel yellow zinc plated  
 # 11.01.061 - steel bright zinc plated  
 1 set = 4 male + 4 female parts



MODEL 3553  
 # 11.01.010 - yellow zinc plated  
 1 set = 4 male + 4 female parts

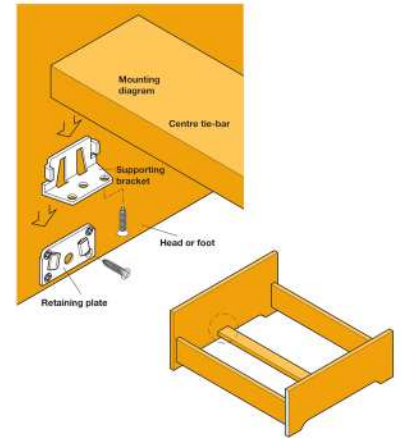
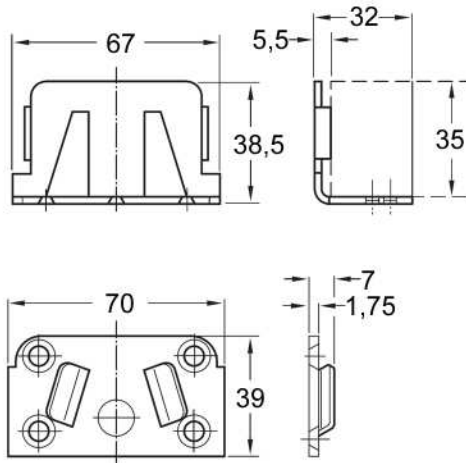


MODEL 3703 / 3704 - double hooks - rounded corner  
 # 11.01.035 - model 3704 - 140 mm bright zinc plated  
 # 11.01.045 - model 3703 - 100 mm bright zinc plated  
 1 set = 4 male + 4 female parts



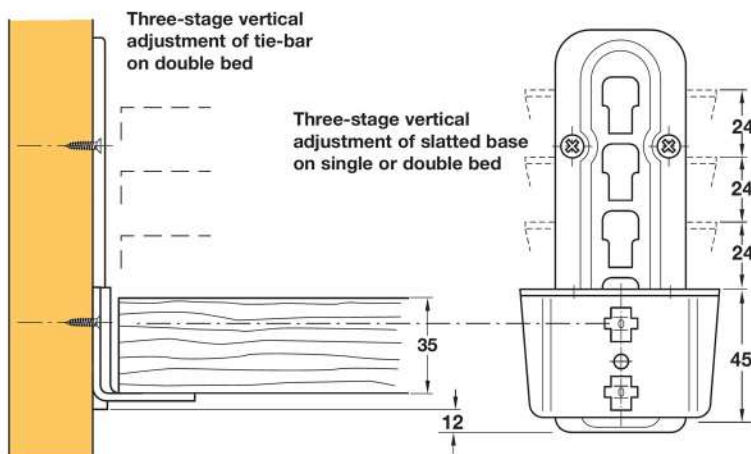
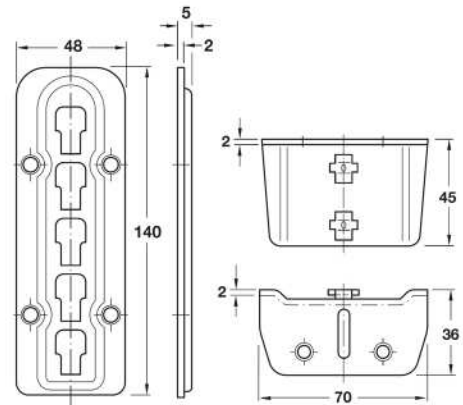
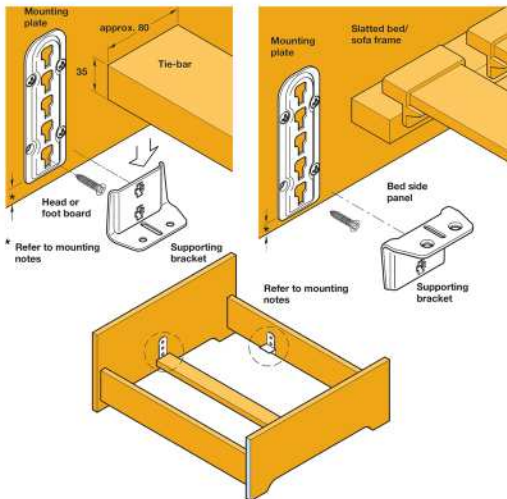
# SUPPORT BRACKETS

## MODEL "3892"



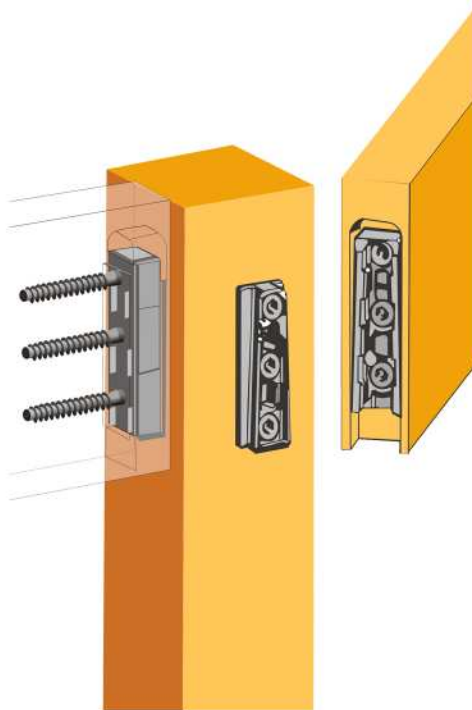
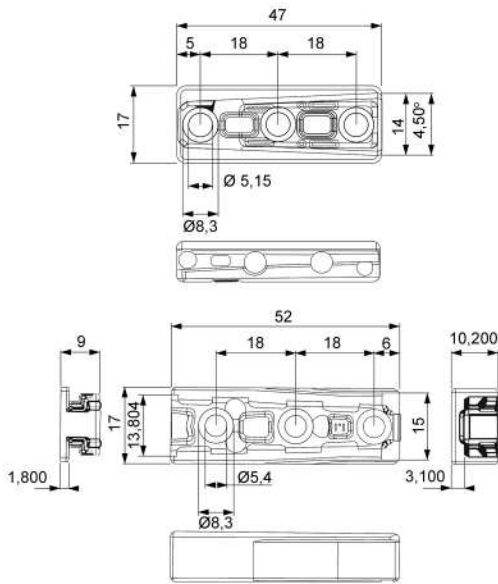
**SUPPORT BRACKET 3892 - for center cross bar**  
 11.02.035 - male part steel yellow zinc plated  
 11.02.040 - female part steel yellow zinc plated

## MODEL "REGULO"



**SUPPORT BRACKET model REGULO**  
**TRIPLE HEIGHT ADJUSTMENT**  
 # 11.01.110 - steel yellow zinc plated  
 1 set = 1 male + 1 female part

"ZIMAK" CONNECTOR



Apply where invisible joints of great strength are desired such as beds, tables and other corpus constructions.

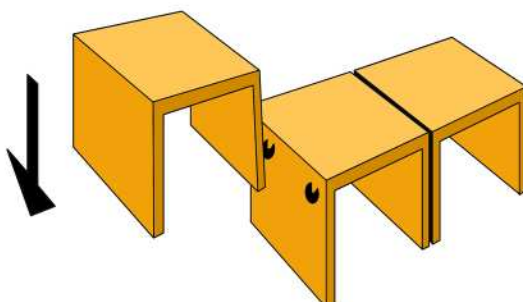
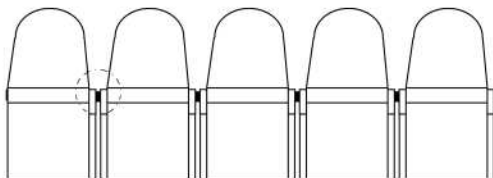
# 11.01.500 - female part  
# 11.01.501 - male part

Made of zamak, raw.

Apply screws 4,0 - 4,5 for attachment of this fitting to panels.



ROW CONNECTOR



Ideal to connect rows of furniture such as chairs, tables etc.

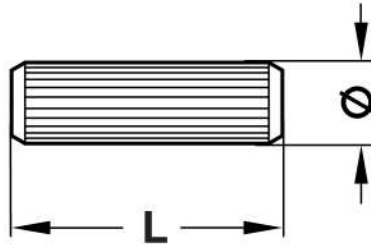
Material: Nylon, black

Male part: # 06.05.066

Female part: # 06.05.067

Screws to be bought seperately



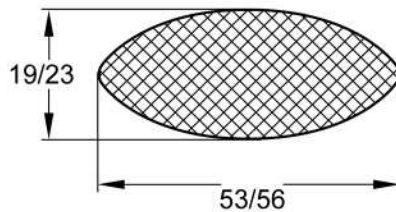


SISO wooden dowels are properly dried and manufactured according to DIN norm.

Ø	L
# 11.06.059	6 x 20 mm
# 11.06.060	6 x 25 mm
# 11.06.150	6 x 50 mm
# 11.06.170	8 x 30 mm
# 11.06.180	8 x 35 mm
# 11.06.190	8 x 40 mm
# 11.06.210	8 x 50 mm
# 11.06.282	10 x 35 mm
# 11.06.291	10 x 40 mm
# 11.06.310	10 x 50 mm

Other sizes up-on request.  
Also available in birch on request

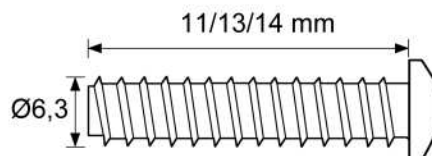
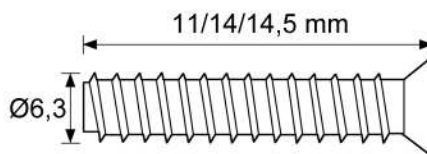
## WOODEN JOINING BISCUITS



The wooden biscuits are made from cross branded laminations of compressed birch wood. Birch timber provides superior strength and consistent plate thickness suitable for joining wooden panels such as chipboard and MDF.

# 11.06.361	53 x 19 x 4 mm
# 11.06.362	56 x 23 x 4 mm

## EUROSCREWS



**COUNTERSUNK HEAD**

# 11.04.603	6,3 x 11 mm
# 11.04.635	6,3 x 14 mm
# 11.04.634	6,3 x 14,5 mm

**PAN HEAD**

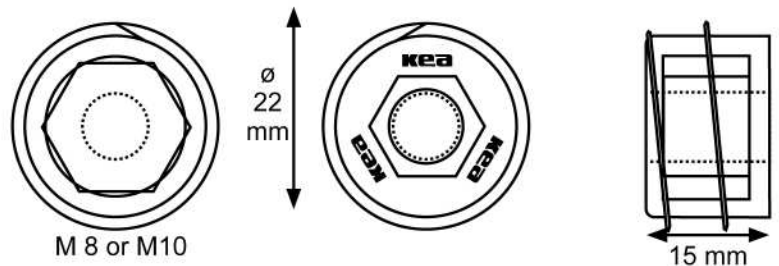
# 11.04.617	6,3 x 11 mm
# 11.04.620	6,3 x 13 mm
# 11.04.625	6,3 x 14 mm





## KEA SCREW-IN BUSHING w/ SPRING-LOADED INTERNAL THREAD

Material:	Zamak, Plain	
Bore:	ø 22 mm x 15 mm	
Threaded hole:	M8 & M10	
Item No.:	M8	# 11.07.010
	M10	# 11.07.011

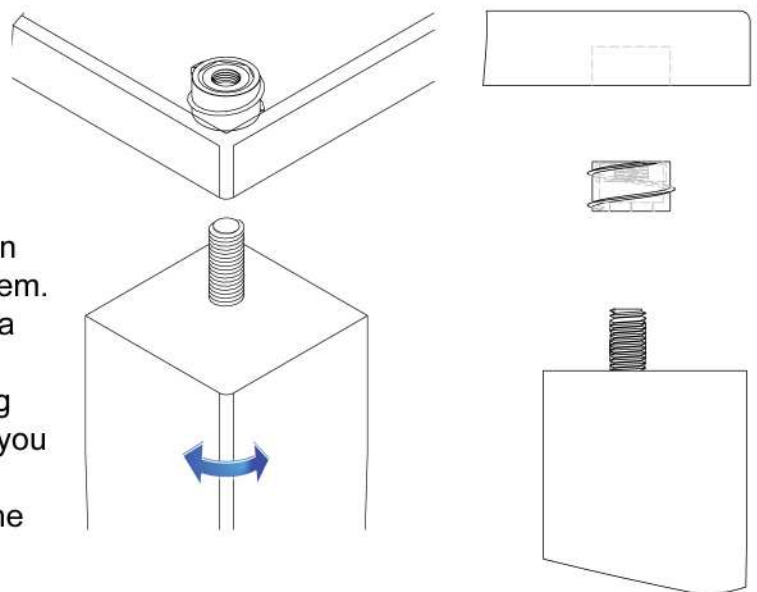


### KEA bushing for tables.

#### The perfect solution for coffee and dining tables.

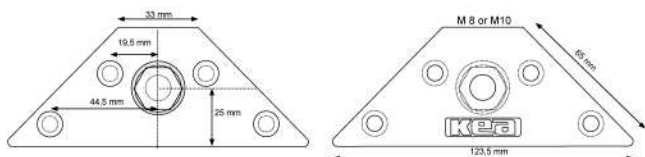
The KEA solution gives you the possibility to tighten and adjust your table leg in any position due to its patented internal spring-loaded system. With a traditional bushing you normally reach a point where you cannot turn in the hangerbolt any further. If you then have a square table leg that has to be flush with the edge of the table you have a problem. Only by heavy force you can try to turn your table leg further and risk that the wood cracks.

This will not happen with the KEA bushing due to its patented internal spring-loaded system.



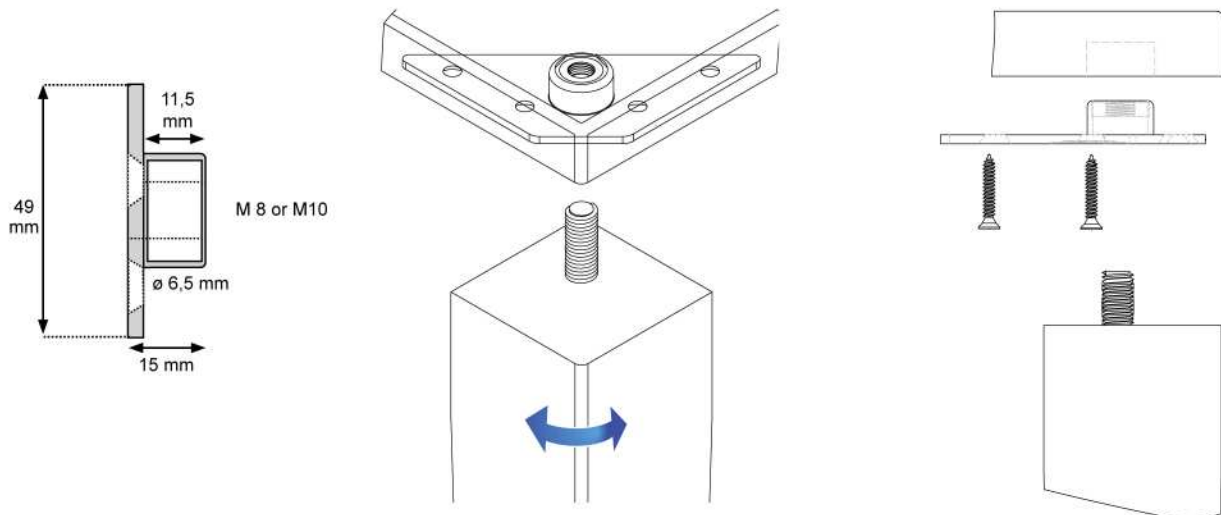


**KEA SCREW-IN BUSHING,  
TRIANGULAR PLATE  
w/ SPRING-LOADED INTERNAL THREAD**



Material:	Zamak, Plain
Size:	123,5 x 33 x 65 mm
Threaded hole:	M8 & M10
Item No.:	M8 # 11.07.015 M10 # 11.07.016

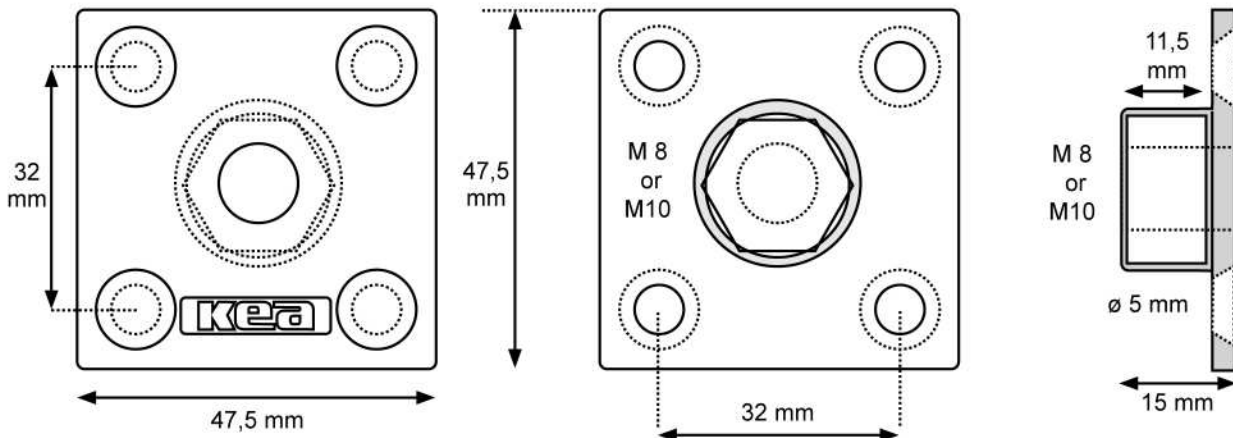
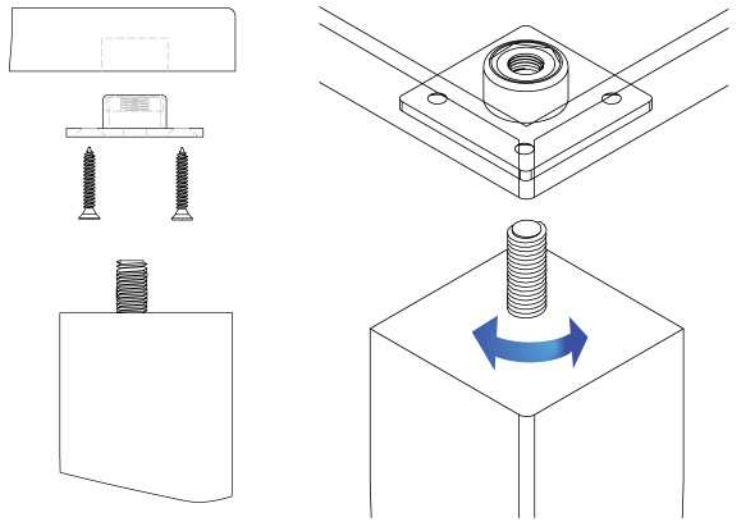
The triangular KEA has been tested by SP Swedish National Testing and Research Institute and has proven strong even for bed frame use





**KEA SCREW-IN BUSHING,  
SQUARE PLATE  
w/ SPRING-LOADED INTERNAL THREAD**

Material:	Zamak, Plain	
Size:	47,5 mm x 47,5 mm	
Threaded hole:	M8 & M10	
Holes:	c/c 32 mm	
Item No.:	M8	# 11.07.001
	M10	# 11.07.002



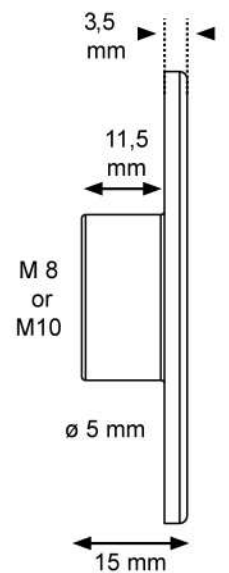
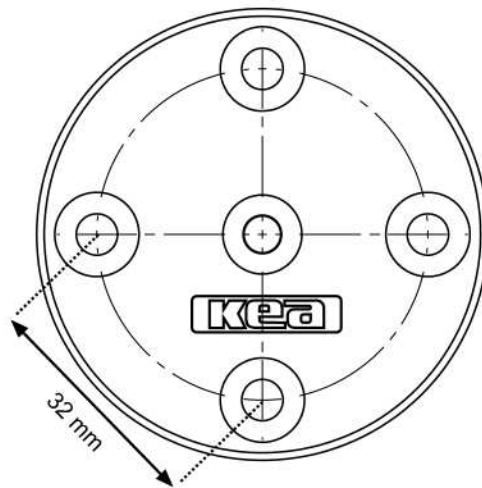
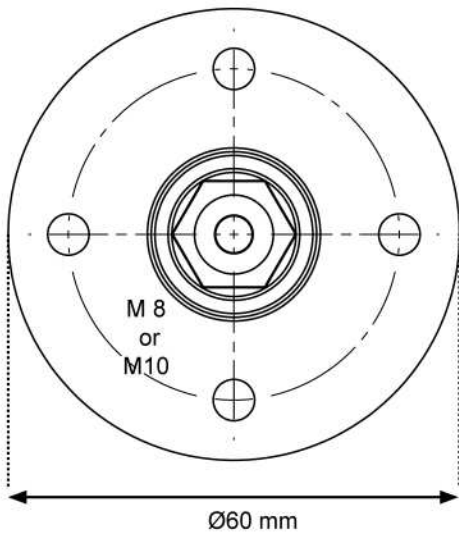
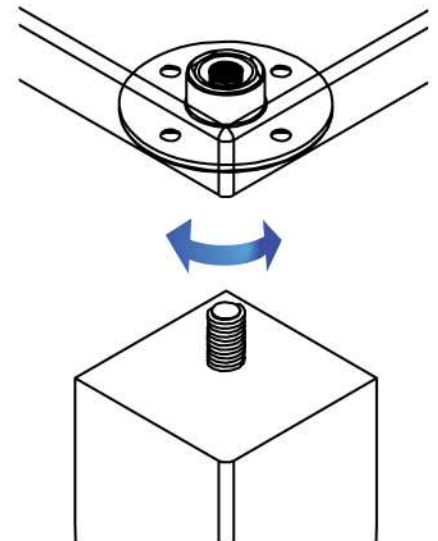
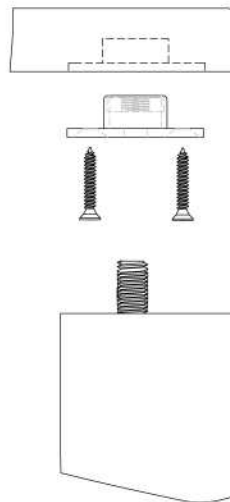




**KEA SCREW-IN BUSHING,  
ROUND PLATE**  
w/ SPRING-LOADED INTERNAL THREAD

Material:	Zamak, Plain	
Size:	Ø60 mm	
Threaded hole:	M8 & M10	
Holes:	c/c 32 mm	
Item No.:	M8	# 11.07.005
	M10	# 11.07.006

Flush mounting for extra strength

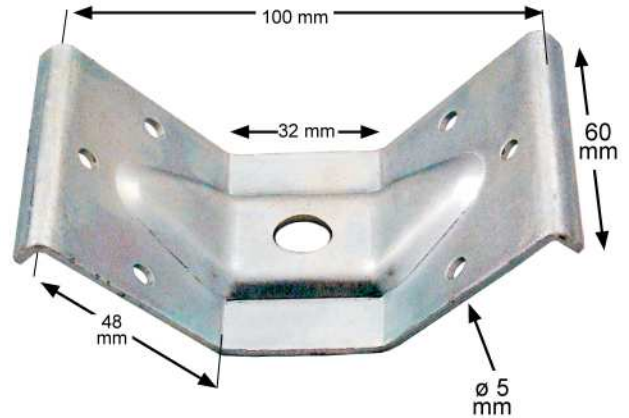


## MODEL 21

Height: 60mm      1 Hole f/M8 or M10 Bolt

Steel thickness 1,5mm:  
 Steel, Yellow Zinc, 12 micron      # 11.07.035  
 Steel, Bright Zinc      # 11.07.030  
 Stainless Steel      # 11.07.110

Steel thickness 2,0mm:  
 Steel, Yellow Zinc, 12 micron      # 11.07.037  
 Steel, Bright Zinc      # 11.07.038  
 Stainless Steel      # on request

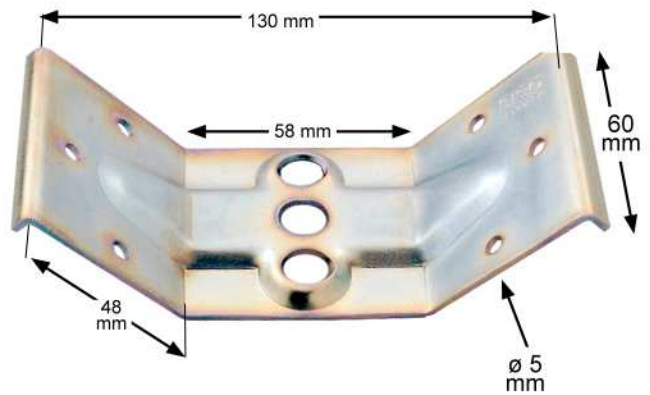


## MODEL 22

Height: 60mm      1 or 3 Holes f/M8 or M10 Bolt

1 Hole:  
 Steel thickness 2,0mm:  
 Steel, Yellow Zinc, 12 micron      # 11.07.042  
 Steel, Bright Zinc      # 11.07.040  
 Stainless Steel      # on request

3 Holes:  
 Steel thickness 2,0mm:  
 Steel, Yellow Zinc, 12 micron      # 11.07.043  
 Steel, Bright Zinc      # 11.07.041  
 Stainless Steel      # on request

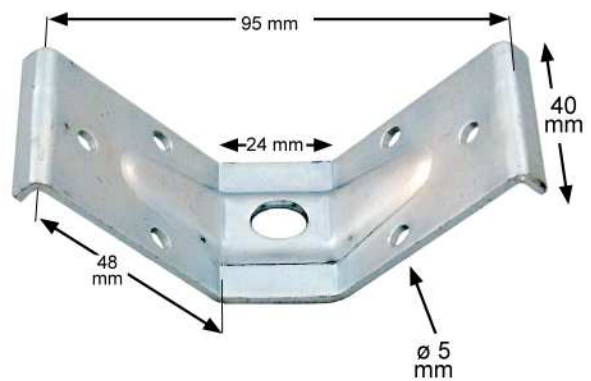


## MODEL 23

Height: 40mm      1 Hole f/M8 or M10 Bolt

Steel thickness 1,5mm:  
 Steel, Yellow Zinc, 12 micron      # 11.07.051  
 Steel, Bright Zinc      # 11.07.050  
 Stainless Steel      # on request

Steel thickness 2,0mm:  
 Steel, Yellow Zinc, 12 micron      # 11.07.056  
 Steel, Bright Zinc      # 11.07.055  
 Stainless Steel      # on request

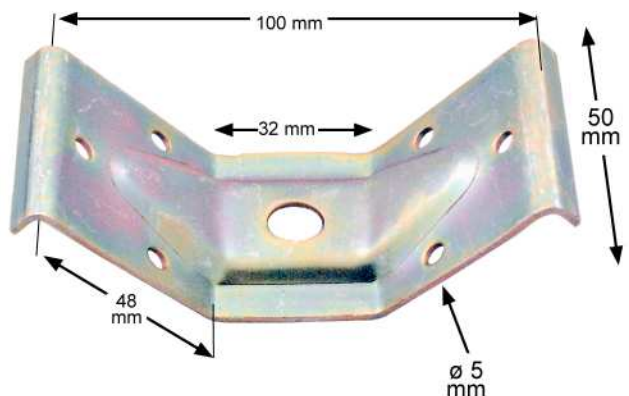


## MODEL 26

Height: 50mm      1 Hole f/M8 or M10 Bolt

Steel thickness 1,5mm:  
 Steel, Yellow Zinc, 12 micron      # 11.07.061  
 Steel, Bright Zinc      # 11.07.060  
 Stainless Steel      # on request

Steel thickness 2,0mm:  
 Steel, Yellow Zinc, 12 micron      # 11.07.066  
 Steel, Bright Zinc      # 11.07.065  
 Stainless Steel      # on request

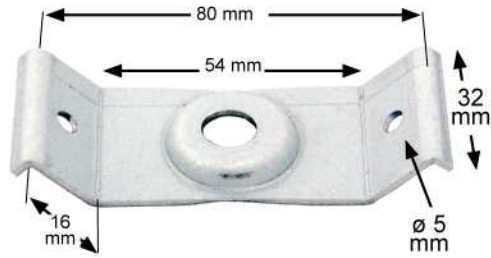




MODEL 27

Height: 32mm 1 Hole f/M8 or M10 Bolt

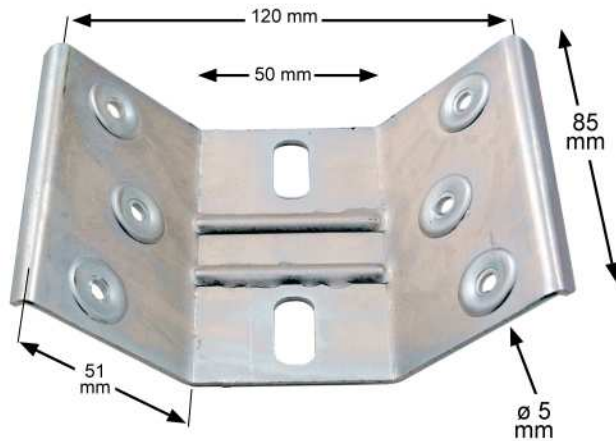
Steel thickness 2,0mm:  
 Steel, Yellow Zinc, 12 micron # 11.07.071  
 Steel, Bright Zinc # 11.07.070  
 Stainless Steel # on request



MODEL 28

Height: 85mm 2 Holes f/M8 or M10 Bolt

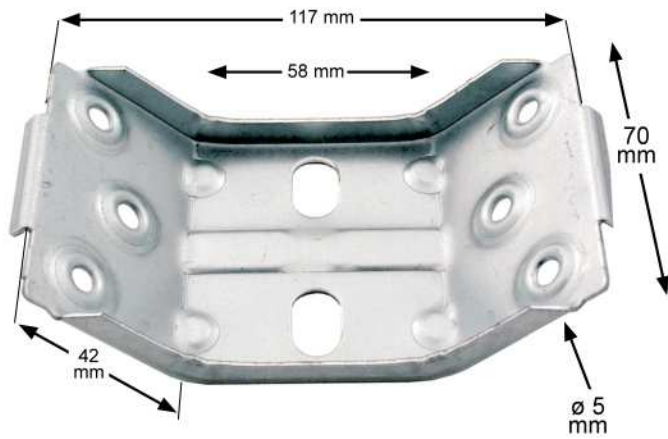
Steel thickness 2,0mm:  
 Steel, Yellow Zinc, 12 micron # 11.07.075  
 Steel, Bright Zinc # 11.07.076



MODEL 29

Height: 70mm 2 Holes f/M8 or M10 Bolt

Steel thickness 1,5mm:  
 Steel, Yellow Zinc, 12 micron # 11.07.080  
 Steel, Bright Zinc # 11.07.081



MODEL 30

Height: 85mm 2 Holes f/M8 or M10 Bolt

Steel thickness 1,5mm:  
 Steel, Yellow Zinc, 12 micron # 11.07.090  
 Steel, Bright Zinc # 11.07.091





HANGERBOLTS

Material: Steel  
 Finish: Yellow Zinc or Bright Zinc

Size	Item No.:	Size	Item No.:
M4 x 25 mm	# 12.13.000	M8 x 100 mm	# 12.13.037/38
M4 x 50 mm	# 12.13.001	M10 x 50 mm	# 12.13.150
M6 x 50 mm	# 12.13.006/08	M10 x 60 mm	# 12.13.160/61
M6 x 60 mm	# 12.13.016/17	M10 x 70 mm	# 12.13.170
M8 x 50 mm	# 12.13.022/23	M10 x 80 mm	# 12.13.180
M8 x 60 mm	# 12.13.027	M10 x 90 mm	# 12.13.190
M8 x 70 mm	# 12.13.031/32	M10 x 100 mm	# 12.13.200
M8 x 80 mm	# 12.13.035/36	M10 x 120 mm	# 12.13.205

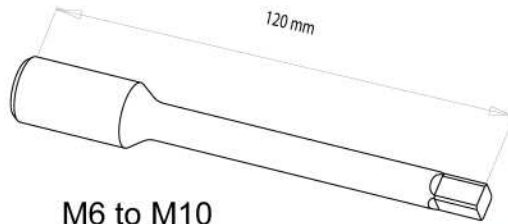
Other sizes on request



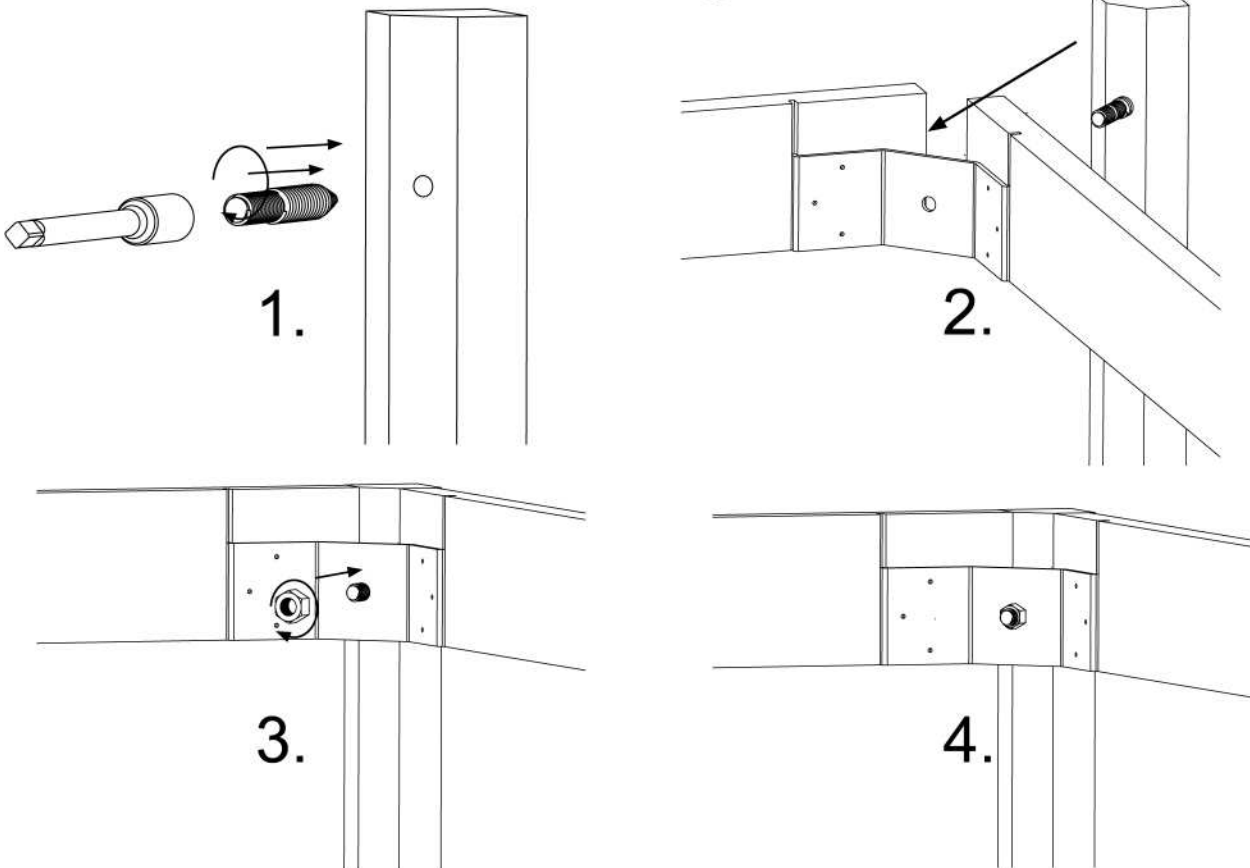
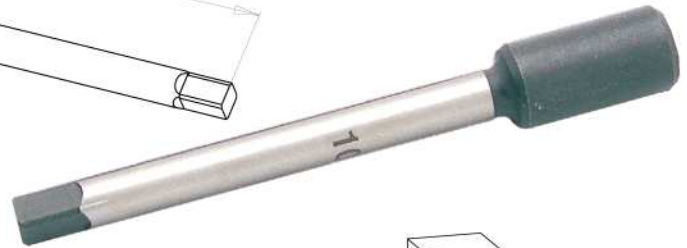
M4 to M10

TOOL FOR INSERTING HANGERBOLTS

Size	Item No.:
M6	# 12.13.100
M8	# 12.13.105
M10	# 12.13.115



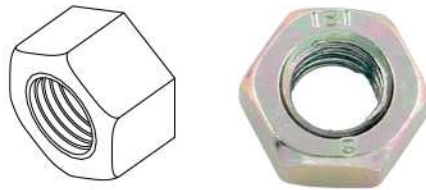
M6 to M10



HEXAGONAL NUT DIN 934

Material: Steel  
Finish: Yellow Zinc or Bright Zinc

Size: Item No.:  
M6 # 12.11.905/906  
M8 # 12.12.015/16  
M10 # 12.12.026/27

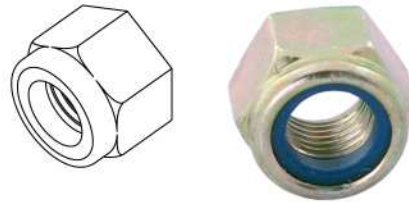


M6 to M10

HEXAGONAL NUT WITH NYLON RING DIN 985

Material: Steel and nylon  
Finish: Yellow Zinc or Bright Zinc

Size: Item No.:  
M6 # 12.12.421  
M8 # 12.12.440  
M10 # 12.12.445

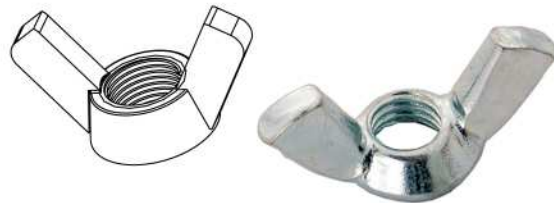


M6 to M10

WING NUT

Material: Steel  
Finish: Yellow Zinc or Bright Zinc

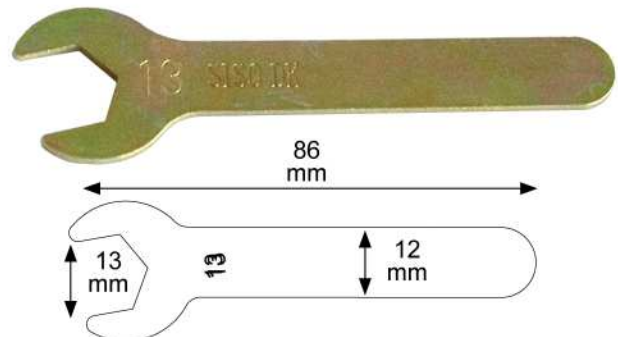
Size: Item No.:  
M6 # 12.12.050/51  
M8 # 12.12.055/58  
M10 # 12.12.060/61



M6 to M10

WRENCH KEY F/HEX NUTS

Material: Steel Yellow Zinc Plated  
Hex: 8 mm (others on request)  
Item No.: Hardened steel # 12.06.155  
Unhardened steel # 12.06.150



## THREADED BOLTS

Material:	Steel, Yellow Zinc Plated (other finishes on request) Stainless Steel, Natural Brass, Natural
Thread:	M6 or M8
Lengths:	From 18 up to 1000 mm
Item No.	12.08.123 etc.



Steel, (YZP)

## FIFTEEN SCREWS

Material:	Steel, Yellow Zinc Plated (other finishes on request) Stainless Steel AISI 316 Brass, Natural
Head size:	Ø 15 x 2,5 mm. (Ø 13 & 17 mm on request)
Hex size:	4 mm
Thread:	M6 (M8 on request)
Lengths:	25/30/35/40/45/50/60/70/80/90/100 & 120 mm
Type:	With 3mm point or conical (see illustration)
Item No.	12.00.800 etc.



Stainless Steel  
AISI 316

Steel, (YZP)



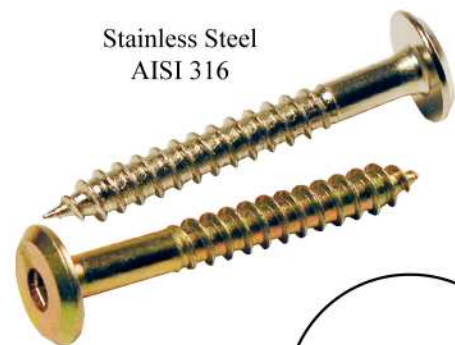
Conical



Point

## FIFTEEN WOOD SCREWS

Material:	Steel, Yellow Zinc Plated (other finishes on request)
Head size:	Ø 15 x 2,5 mm
Hex size:	4 mm
Thread:	Ø 6,3 mm
Lengths:	40/50/60 and 70 mm (other sizes on request)
Type:	With point (see illustration)
Item No.	# 12.01.340 etc.



Stainless Steel  
AISI 316

Steel, (YZP)



Point



MUSHROOM SCREWS

Material: Steel, Yellow Zinc or Black Oxidized  
Other materials & finishes on request

Head size: Ø 15 mm

Hex size: 4 mm (5 mm on request)

Thread: M6 (M8 on request)

Lengths: 12/16/20/23/30/32/38/45/50/60/63/90 mm  
(other lengths on request)

Type: Blunt (Point on request)

Item No. # 12.03.110 etc.



Blunt

INSEX SCREWS

Material: Steel, Yellow Zinc, Brass Plated or Black Oxidized  
Other materials & finishes on request

Head size: Ø 12 x 4 mm (counter sunk)

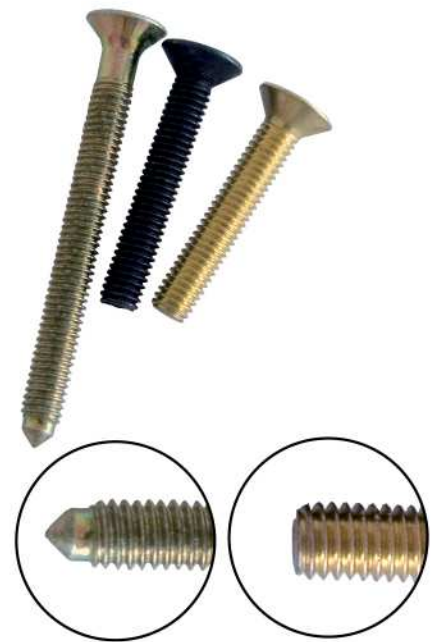
Hex size: 4 mm

Thread: M6 (M8 and M10 on request)

Lengths: 32/35/38/44/50/51/57/60/63/76/90/100/120/126 mm  
(other lengths on request)

Type: Pointed or blunt (see illustration)

Item No. # 12.04.004 etc.

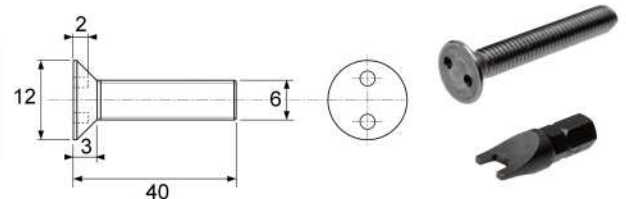


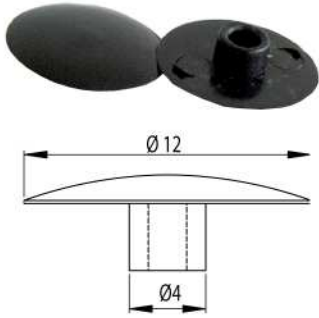
Point

Blunt

SNAKE EYE SECURITY SCREW

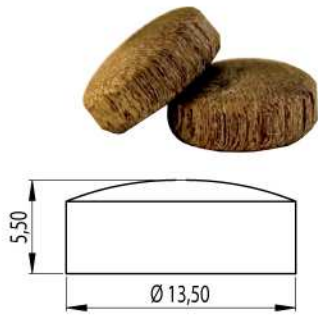
SNAKE EYE SCREW + TOOL  
Available in different lengths - upon request





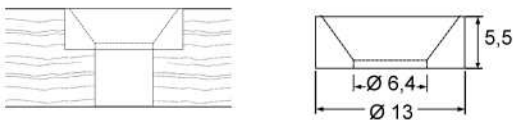
## INSEX COVER CAP

Material:	Plastic, black, white, beige (other colours on request)
Head size:	Ø 12mm, Dome
Pin:	Ø 4,2 mm for 4 mm hex hole
Item No.	12.05.005 etc.



## INSEX WOOD PLUGS

Material:	Teak wood (other wood types on request)
Size:	Ø 13,5 x 5,5 m
Item No.	12.05.020



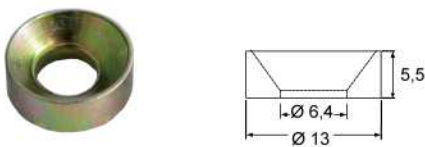
## INSEX COLLARS - BRASS

Material:	Brass
Size:	Ø 13 x 4,5 mm x M6
Item No.	Brass Natrual # 12.05.036 Brass Black Oxidized # 12.05.039 Brass Nickel Plated # 12.05.038



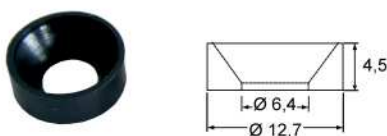
## INSEX COLLARS - STEEL

Material:	Steel, Yellow Zinc
Size:	Ø 13 x 5,5 mm x M6
Item No.	# 12.05.034



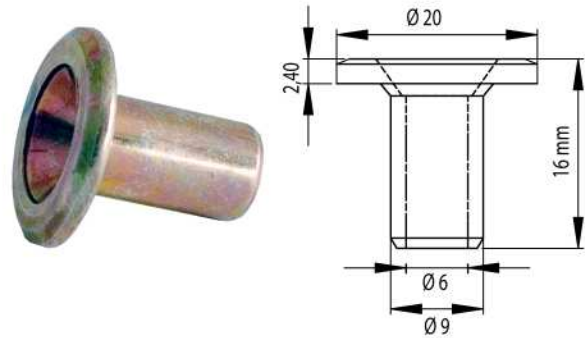
## INSEX COLLARS - NYLON

Material:	Nylon, Black
Size:	Ø 12,7 x 4,5 mm X M6
Item No.	# 12.05.040



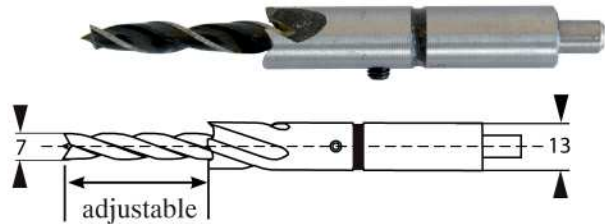
INSEX COLLARS - STEEL W/SHAFT

Material: Steel, Yellow Zinc  
 Size: Ø 20 x 16 mm x M6  
 Item No. # 12.05.070



DRILL BIT F/INSEX SCREWS & COLLARS

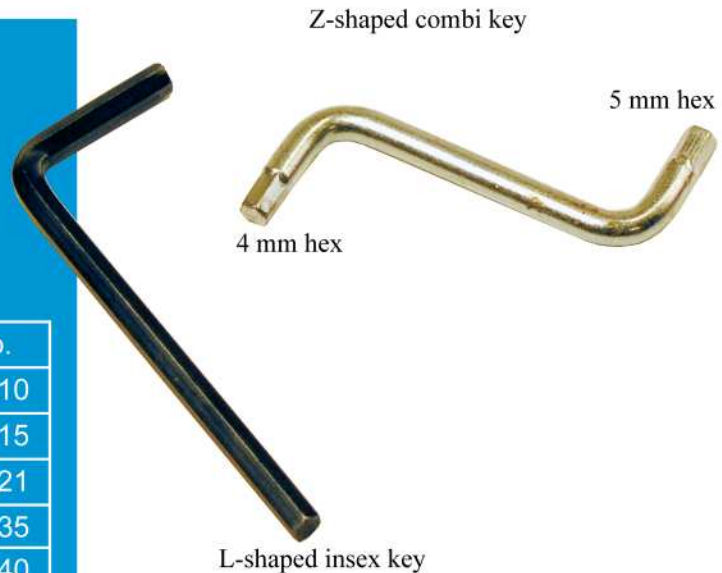
Twin set boring bits for Ø7mm and Ø13mm in one operation  
 Item No. # 12.18.010



INSEX KEYS

Material: Steel, Hardened  
 Hex: 4 or 5 mm or combi key with 4 & 5 mm  
 Finish: Bright Zinc Plated (BZP) or Black Zinc Plated  
 Type: L-shaped or Z-shaped

Type	Size	Hex	Finish	Item No.
L-shaped	23 x 65 mm	4 mm	Black	# 12.06.010
L-shaped	28 X 65 mm	4 mm	BZP	# 12.06.015
L-shaped	31 X 75 mm	5 mm	BZP	# 12.06.021
Z-shaped	37 X 48 mm	4 mm	BZP	# 12.06.035
Z-shaped	39 X 48 mm	5 mm	BZP	# 12.06.040
Z-shaped	35 X 50 mm	4 & 5 mm	BZP	# 12.06.027



INSEX KEY W/BALL POINT

Material: Steel, Bright Zinc Plated  
 Hex: 4, 5 or 6 mm  
 Type: L-shaped

Type	Size	Hex	Finish	Item No.
L-shaped	28 x 73 mm	4 mm	BZP	# 12.06.061
L-shaped	15 X 65 mm	5 mm	BZP	# 12.06.063
L-shaped	16 X 63 mm	6 mm	BZP	# 12.06.062

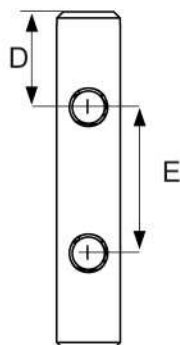
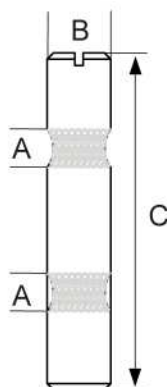
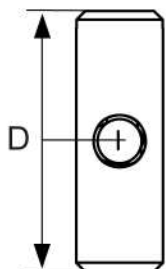
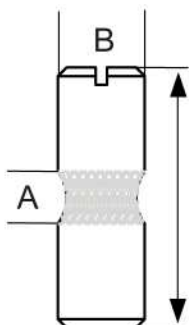




## CROSS DOWELS



Bright Zinc Plated



Material: Steel, Brass or Stainless Steel

Type: With slot

Finish: Steel, Yellow Zinc Plated (YZP)  
Bright Zinc Plated (BZP), Brass, Natural  
Stainless Steel, (SS), Natural

D\* Distance from centre of hole to edge.

Stainless Steel



Yellow Zinc Plated

Brass

A	B	C	D*	Material	Finish	Item No.
M6	Ø 10 mm	13 mm	8/5 mm	Steel	BZP/YZP	# 12.07.006
M6	Ø 10 mm	14 mm	8/6 mm	Steel	BZP/YZP	# 12.07.030/31
M6	Ø 10 mm	14 mm	8/6 mm	Brass	Natural	# 12.07.041
M6	Ø 10 mm	14 mm	8/6 mm	SS	Natural	# 12.07.043
M6	Ø 10 mm	16 mm	10/6 mm	Steel	YZP	# 12.07.044
M6	Ø 10 mm	18 mm	12/6 mm	Steel	YZP/BZP	# 12.07.327/328
M6	Ø 10 mm	30 mm	20/10 mm	Steel	BZP	# 12.07.350
M6	Ø 10 mm	20 mm	10/10 mm	Steel	BZP/YZP	# 12.07.070/071
M6	Ø 10 mm	25 mm	12,5/12,5 mm	Steel	BZP	# 12.07.110
M6	Ø 10 mm	30 mm	15/15 mm	Steel	BZP	# 12.07.150
M6	Ø 10 mm	40 mm	20/20 mm	Steel	BZP	# 12.07.230
M6	Ø 10 mm	45 mm	22,5/22,5 mm	Steel	BZP	# 12.07.270
M8	Ø 12 mm	20 mm	10/10 mm	Steel	YZP	# 12.07.287
M8	Ø 12 mm	25 mm	12,5/12,5 mm	Steel	YZP	# 12.07.288
M8	Ø 12 mm	30 mm	15/15 mm	Steel	BZP	# 12.07.289
M8	Ø 12 mm	50 mm	25/25 mm	Steel	BZP/YZP	# 12.07.291/92
M8	Ø 12 mm	60 mm	30/30 mm	Steel	BZP	# 12.07.325

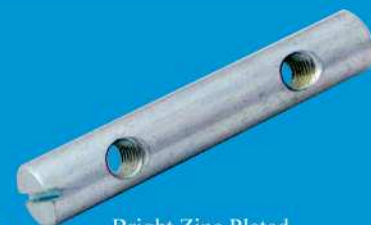
## CROSS DOWELS NO. 3250 W/2 HOLES

Material: Steel

Type: With slot

Finish: Steel, Bright Zinc Plated (BZP)

D\* Distance from centre of hole to edge.

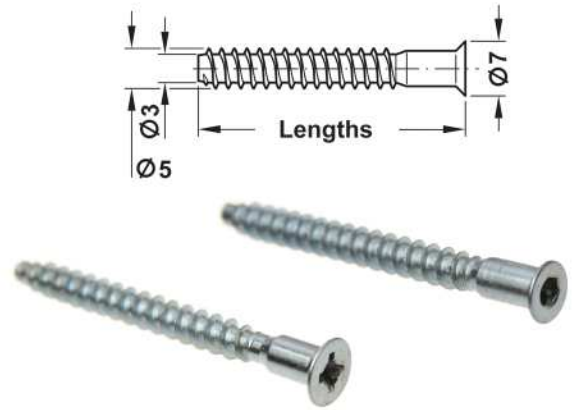


Bright Zinc Plated

A	B	C	D*	E	Material	Finish	Item No.
M6	Ø 10 mm	60 mm	14 mm	c.c. 32 mm	Steel	BZP	# 12.07.465
M6	Ø 10 mm	60 mm	10 mm	c.c. 40 mm	Steel	BZP	# 12.07.500
M6	Ø 10 mm	82 mm	9 mm	c.c. 64 mm	Steel	BZP	# 12.07.570

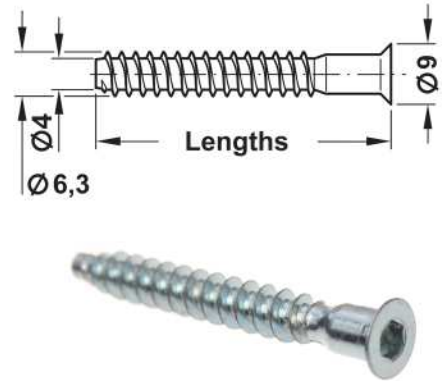
SCREWS Ø 5 MM

Material:	Steel, Bright Zinc Plated (other materials & finishes on request)
Thread:	Ø 5 mm
Lengths:	30/40 mm or 50 mm
Type:	Pozidrive or 3 mm hex (see illustration) With & without hole for cover cap
Item No.	# 12.17.005 etc.



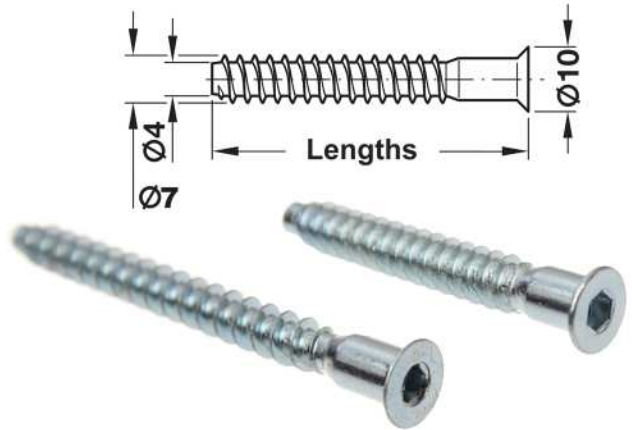
SCREWS Ø 6,3 MM

Material:	Steel, Bright Zinc Plated (other materials & finishes on request)
Thread:	Ø 6,3 mm
Lengths:	40 mm or 50 mm
Type:	Pozidrive or 4 mm hex socket (see illustration). With & without hole for cover cap
Item No.	# 12.17.021 etc.



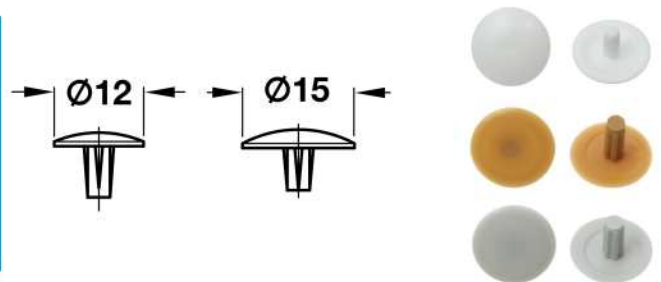
SCREWS Ø 7 MM

Material:	Steel, Bright Zinc Plated (other materials & finishes on request)
Thread:	Ø 7 mm
Lengths:	30/40/45/50/60/70/85 mm
Type:	Pozidrive or 4 mm hex (see illustration). With & without hole for cover cap
Item No.	# 12.17.027 etc.



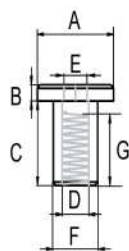
COVER CAPS FOR SCREW Ø 5, 6,3 & 7 MM

Material:	Plastic, white, black, grey, brown, teak (other colours on request)
Size:	Ø 12 or 15 mm
Item No.	# 12.17.180 etc.





## BRASS COMBIFIX HEAD #1012 M6 W/OPEN HEX HOLE

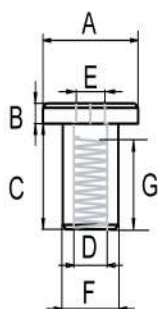


Material: Brass or Stainless Steel (SS) AISI 304  
 Finish: Brass, Natural and SS, Natural  
 Type: Flat head with 4 or 5 mm open hex hole



A	B	C	D	E	F	G	SS	Brass
Ø 15 mm	2,25 mm	11,75 mm	M6	5 mm	Ø 9 mm	8,5 mm	on request	# 12.09.170
Ø 15 mm	2,25 mm	11,75 mm	M6	4 mm	Ø 9 mm	7 mm	# 12.09.175	on request

## BRASS COMBIFIX HEAD #1013 M6 W/CLOSED HEX HOLE

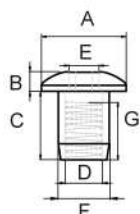


Material: Brass  
 Finish: Brass Plated (BPL) or Nickel Plated (NPL)  
 Type: Flat head with 5 mm closed hex hole



A	B	C	D	E	F	G	NPL	BPL
Ø 15 mm	2 mm	12 mm	M6	5 mm	Ø 9 mm	7 mm	# 12.09.174	# 12.09.173

## BRASS COMBIFIX HEAD #1015 M6 W/OPEN HEX HOLE

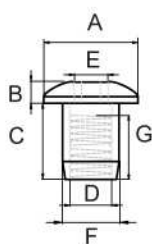


Material: Brass or Stainless Steel (SS) AISI 304  
 Finish: Brass, Natural and SS, Natural  
 Type: Dome head with 5 mm open hex hole



A	B	C	D	E	F	G	SS	Brass
Ø 13 mm	2,50 mm	10,50 mm	M6	5 mm	Ø 8 mm	9 mm	# 12.09.265	# 12.09.250

## BRASS COMBIFIX HEAD #1060 M8 W/OPEN HEX HOLE



Material: Brass  
 Finish: Brass, Natural  
 Type: Dome head with 5 mm open hex hole



A	B	C	D	E	F	G	Item No.
Ø 17 mm	2,50 mm	11,5 mm	M8	5 mm	Ø 10 mm	8 mm	# 12.09.570

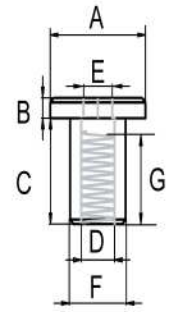


STEEL COMBIFIX HEAD # F-563 M6 W/CLOSED HEX HOLE

Material: Steel  
 Finish: Brass Plated (BPL) or Yellow Zinc Plated 12 micron (YZP)  
 Type: Flat head with 4 or 5 mm closed hex hole



A	B	C	D	E	F	G	BPL	YZP
Ø 15 mm	2 mm	12 mm	M6	4 mm	Ø 9 mm	7 mm	# 12.09.750	# 12.09.696
Ø 15 mm	2 mm	12 mm	M6	5 mm	Ø 9 mm	7 mm	# 12.09.700	on request
Ø 15 mm	2 mm	18 mm	M6	4 mm	Ø 9 mm	13 mm	on request	# 12.09.800
Ø 15 mm	2 mm	18 mm	M6	5 mm	Ø 9 mm	13 mm	# 12.09.802	on request

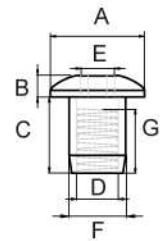


STEEL COMBIFIX HEAD # F-564 M6 W/CLOSED HEX HOLE

Material: Steel  
 Finish: Brass Plated (BPL) or Nickel Plated (NPL)  
 Type: Dome head with 5 mm closed hex hole



A	B	C	D	E	F	G	NPL	BPL
Ø 15 mm	2,5 mm	12 mm	M6	5 mm	Ø 9 mm	7 mm	# 12.09.829	on request
Ø 15 mm	2,5 mm	15 mm	M6	5 mm	Ø 9 mm	10 mm	on request	# 12.09.864

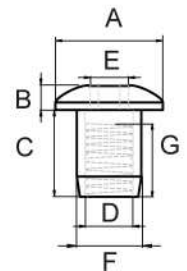


STEEL COMBIFIX HEAD # F-595 M8 W/CLOSED HEX HOLE

Material: Steel  
 Finish: Brass Plated (BPL), Black oxidized (BLK)  
 Bronze Plated (BRZ) or Nickel Plated (NPL)  
 Type: Dome head with 5 mm closed hex hole



A	B	C	D	E	F	G	BPL	BLK
Ø 20 mm	3 mm	16 mm	M8	5 mm	Ø 10 mm	12 mm	# 12.09.930	# 12.09.932
							NPL	BRZ
Ø 20 mm	3 mm	16 mm	M8	5 mm	Ø 10 mm	12 mm	# 12.09.933	# 12.09.934



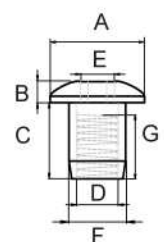
STEEL COMBIFIX HEAD # F-602 M10 W/CLOSED HEX HOLE

Material: Steel  
 Finish: Nickel Plated (NPL)  
 (other finishes on request)



Type: Dome head with 5 mm closed hex hole

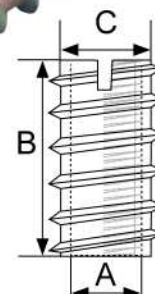
A	B	C	D	E	F	G	NPL
Ø 20 mm	4 mm	13 mm	M10	5 mm	Ø 13 mm	9 mm	# 12.09.950





## SCREW IN BUSHING "C"

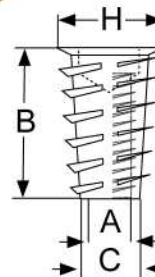
Material: Brass, Natural or Steel, Yellow Zinc Plated (YZP) or Bright Zinc Plated (BZP)  
 Type: Screw in with slot. No collar



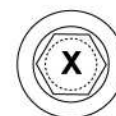
A	B	C	Brass	A	B	C	YZP
M4	8,0 mm	Ø 4,75 mm	# 12.10.002	M6	10 mm	Ø 8 mm	# 12.10.075
M6	14,5 mm	Ø 8 mm	# 12.10.106	M6	12 mm	Ø 8 mm	# 12.10.095
A	B	C	BZP	M6	14,5 mm	Ø 8 mm	# 12.10.105
M4	10 mm	Ø 6 mm	# 12.10.008	M6	24 mm	Ø 9 mm	# 12.10.109
M8	15 mm	Ø 10 mm	# 12.10.151	M8	20 mm	Ø 10 mm	# 12.10.175

## SCREW IN BUSHING "D"

Material: Zamak, Yellow Zinc Plated (YZP)  
 Type: Screw in by use of hex key. With collar

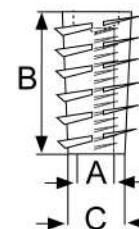


A	B	C	H = Head	Finish	X = Hex	Item No
M4	10 mm	Ø 5,5 mm	Ø 8,5 mm	YZP	4 x 3,5 mm	# 12.10.185
M5	10 mm	Ø 7 mm	Ø 11 mm	YZP	5 x 3,5 mm	# 12.10.186
M6	10 mm	Ø 8 mm	Ø 12 mm	YZP	6 x 3,5 mm	# 12.10.188
M6	13 mm	Ø 8 mm	Ø 12 mm	YZP	6 x 3,5 mm	# 12.10.191
M6	16 mm	Ø 8 mm	Ø 12 mm	YZP	6 x 3,5 mm	# 12.10.195
M6	20 mm	Ø 8 mm	Ø 12 mm	YZP	6 x 3,5 mm	# 12.10.211
M8	13 mm	Ø 10 mm	Ø 14,5 mm	YZP	8 x 4,5 mm	# 12.10.215
M8	20 mm	Ø 10 mm	Ø 14,5 mm	YZP	8 x 5,5 mm	# 12.10.217
M10	25 mm	Ø 12 mm	Ø 16 mm	YZP	10 x 7,0 mm	# 12.10.219



## SCREW IN BUSHING "E"

Material: Zamak, Yellow Zinc Plated (YZP)  
 Type: Screw in by use of hex key. No collar



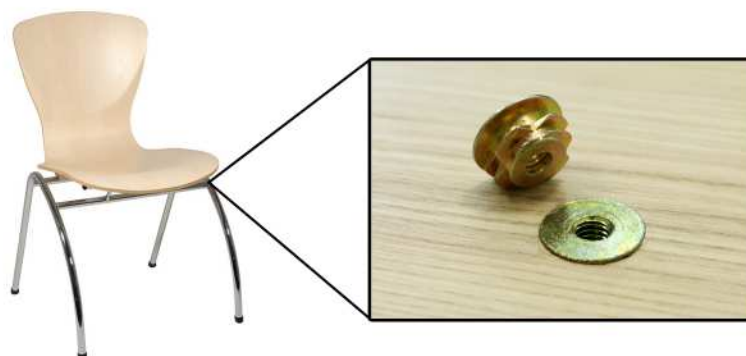
A	B	C	X = Hex	Item N0.
M6	13 mm	Ø 7,5 mm	6 x 4,5 mm	# 12.10.222
M6	20 mm	Ø 7,5 mm	6 x 5,7 mm	# 12.10.223
M8	13 mm	Ø 10,5 mm	8 x 5,0 mm	# 12.10.225
M8	20 mm	Ø 10,5 mm	8 x 5,5 mm	# 12.10.226
M8	25 mm	Ø 10,5 mm	8 x 5,5 mm	# 12.10.227



## LOW PROFILE SCREW IN BUSHING

# 12.10.500 - M6 X 6/7 mm yellow zinc plated

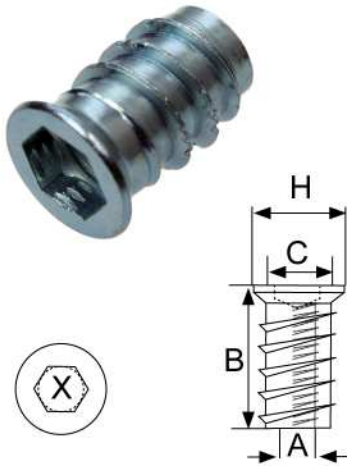
The only insert on the market especially designed with a very low profile for application in thin material such as veneer and plywood.





# BUSHINGS

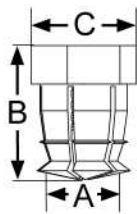
## SCREW IN BUSHING "M"



Material: Steel, Bright Zinc Plated (BZP)  
 Type: Screw in by use of hex key. With countersunk collar

A	B	C	X = Hex	H = Head	Item No.
M6	12 mm	Ø 8 mm	6 X 2 mm	Ø 9,8 mm	# 12.10.258
M6	12 mm	Ø 8 mm	6 X 3 mm	Ø 12 mm	# 12.10.259
M6	15 mm	Ø 8 mm	6 X 3 mm	Ø 12 mm	# 12.10.260
M6	20 mm	Ø 10 mm	6 X 3 mm	Ø 12 mm	# 12.10.265
M8	15 mm	Ø 10 mm	8 X 3 mm	Ø 14 mm	# 12.10.270
M8	20 mm	Ø 10 mm	8 X 3 mm	Ø 14 mm	# 12.10.290
M8	24 mm	Ø 10 mm	8 X 3 mm	Ø 14 mm	# 12.10.292
M10	20 mm	Ø 13 mm	10 X 3 mm	Ø 17 mm	# 12.10.293

## KNOCK IN EXPANSION BUSHING

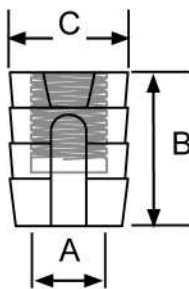


Material: Brass, Natural  
 Type: Knock in. Without plastic ball or with ball for extra expansion

A	B	C	Type	Item No.
M4	7,5 mm	5,5 mm	No ball	# 12.10.335
M4	10 mm	5,5 mm	No ball	# 12.10.330
M6	11,5 mm	8 mm	No ball	# 12.10.340
M6	11,5 mm	8 mm	With ball	# 12.10.345

Pulling power: 100 Kg.

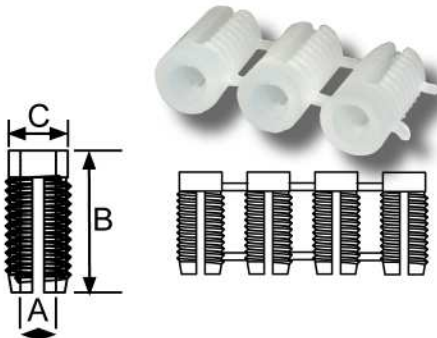
## NYLON KNOCK IN BUSHING "N"



Material: White nylon  
 Type: Knock in. No collar. Closed end.

A	B	C	Colour	Item NO.
M4	10 mm	Ø 8 mm	White	# 12.11.315
M6	10 mm	Ø 8 mm	White	# 12.11.410
M6	11 mm	Ø 10 mm	White	# 12.11.420
M6	13 mm	Ø 10 mm	White	# 12.11.440
M6	20 mm	Ø 10 mm	White	# 12.11.465

## SELF WINDING EXPANSION BUSHING



Material: White nylon  
 Type: Knock in. In strips of 30 pcs.

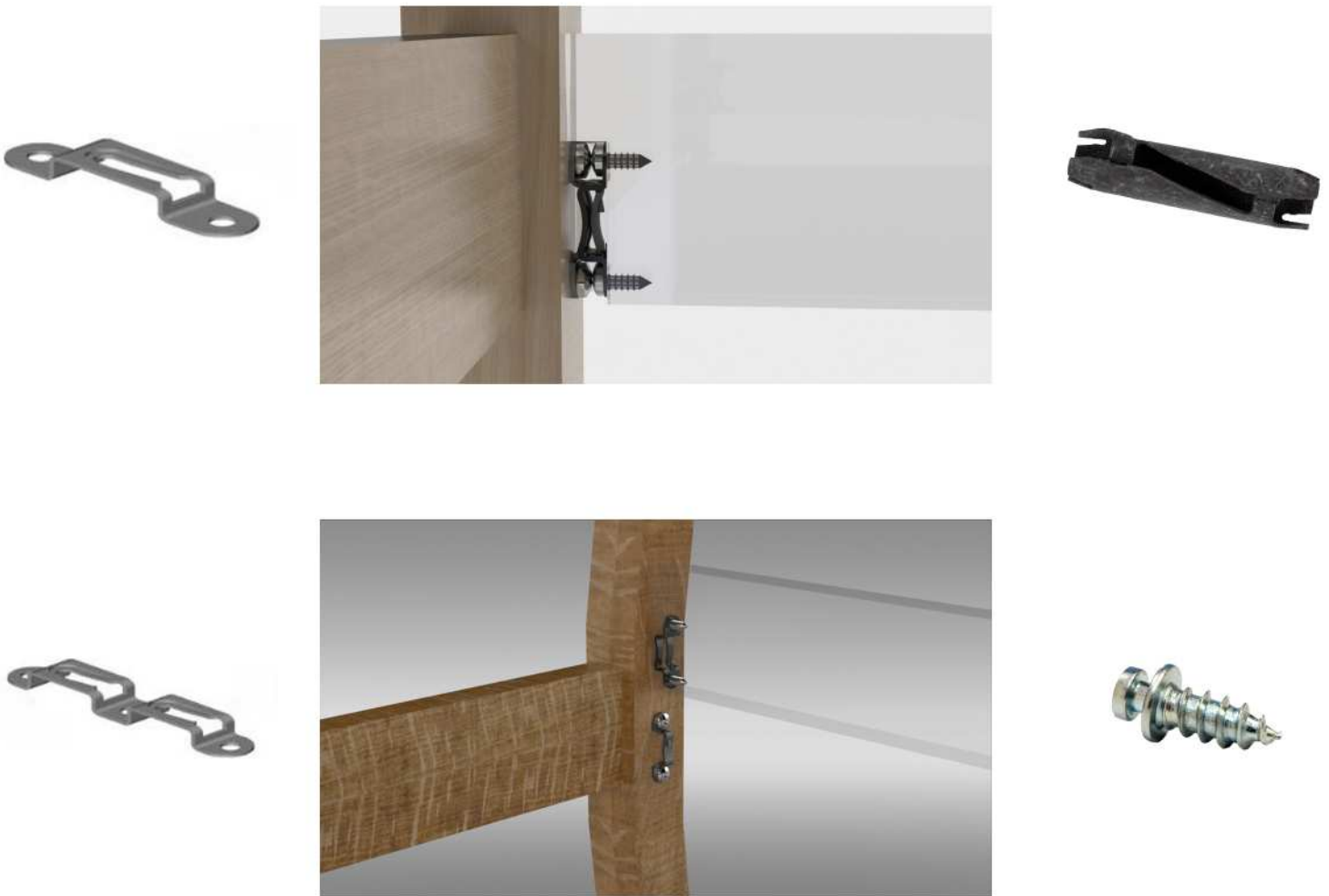
A	B	C	Colour	Item NO.
Ø 3 mm	11,5 mm	Ø 5,5 mm	White	# 12.11.351



The patented "INVISIO" fastening System may be used in many different applications, such as cabinets, chairs and store fixtures.

The system was developed to accomplish three specific objectives:

- To join panels securely together in such a manner that dimensional changes in the material or structure would not rupture or loosen the joints.
- To achieve this objective with a fast and simple method of assembly, preferably without the need for tools.
- To end up with a joint in which the fasteners are totally concealed.



The "INIVISIO" Fastening system meets these objectives by utilizing a spring steel declining ramp "Clip" and a large collared "Shoulder Screw" as the two mating members. Spring steel makes the joints strong, yet flexible, while the collar on the Shoulder Screw adds tremendous resistance to torsional pull-out. Assembly occurs by simply sliding the Shoulder Screw head down the Clip's ramp. With the Clip located in its pocket, and the system assembled, no fasteners are visible!

Patented in US, Canada, EU, Turkey & China.



Single Clip

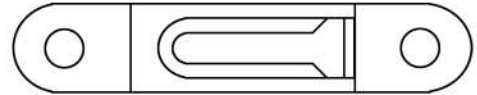
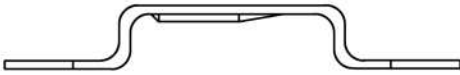


Double Clip

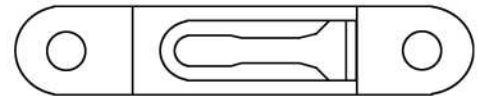


Anti-Rotational Clip

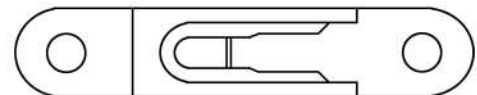
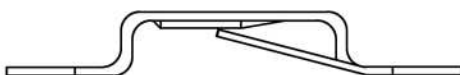
**Non-Locking:** Friction prevents the joint from disengaging.



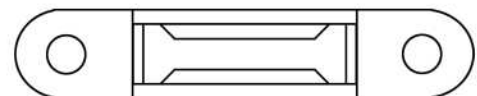
**Semi-Locking:** Friction and a narrowing runway prevent the joint from disengaging. Requires more force to disengage than Non-Locking Clip.



**Locking:** A locking tab prevents the joint from disengaging. Locking tab must be turned with a flat blade screwdriver for disengagement



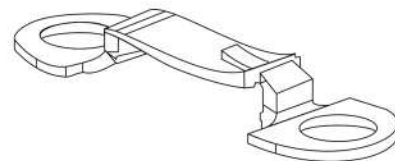
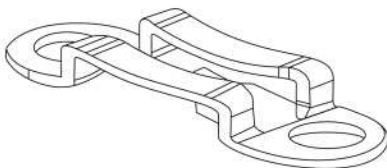
**Pass-Thru:** Used in grooved edge with another clip as an alternative to pockets with windows.



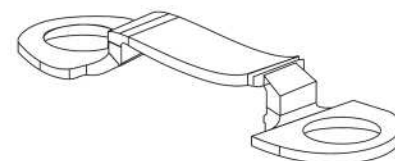
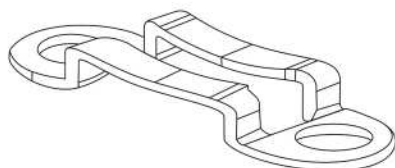
## ANTI-ROTATIONAL CLIP

The Anti-Rotational Clip is designed to go into a rail with open pocket as narrow as 13 mm using the 2000 clip series and 19 mm using 5000 series clip and provide a tight joint over a wide range of pocket depths – i.e. with +/- 0,8 mm and +/- 0,5 mm.

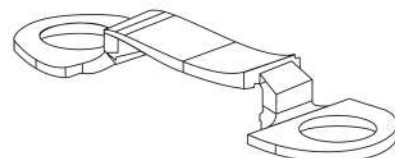
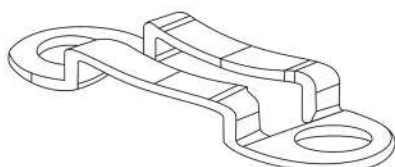
**Locking:** A locking tab prevents the joint from disengaging. Locking tab must be turned with a flat blade screwdriver for disengagement.

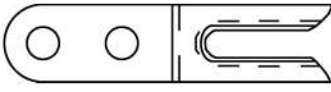



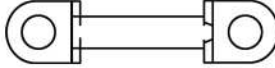

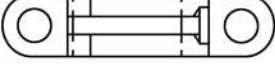



















**Non-Locking:** Friction prevents the joint from disengaging.



**Pass-Thru:** Used in grooved edge with another clip as an alternative to pockets with windows.




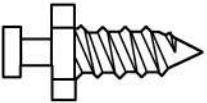

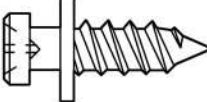

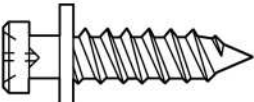

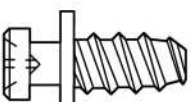

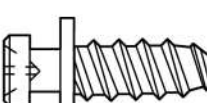








DESCRIPTION & ITEM NO.			Part No. Lenght x Width x depth in mm
Non-Locking Light Duty # 11.16.046			1763 60,3 x 13,3 x 7,32
32 mm Mounting Hole Ctrs. Non-Locking For 14 mm # 11.16.047			2032 41,8 x 10 x 9,7
Male Anti-Rotation Clip For 14 mm And Larger Stock # 11.16.050			2075 open end pocket 42,5 x 10 x 13,97
Female Anti-Rotation Clip For 14 mm And Larger Stock # 11.16.051			2076 open end pocket 42,5 x 10 x 13,97
Semi-Locking Female Anti-Rotation Clip for 14 mm And Larger Stock			2077 open end pocket 42,5 x 10 x 13,97
32 mm Mounting Hole Ctrs. Pass-Thru; For 16 mm Stock # 11.16.074			4031 42,5 x 11 x 11,13
32 mm Mounting Hole Ctrs. Non-Locking; For 16 mm Stock # 11.16.075			4032 42,5 x 11 x 11,13
32 mm Mounting Hole Ctrs. Locking; For 16 mm Stock # 11.16.080			4034 42,5 x 11 x 11,13
32 mm Mounting Hole Ctrs. Semi-Locking; For 16 mm Stock # 11.16.085			4035 42,5 x 11 x 11,13
Non-Locking # 11.16.095			4060 62,7 x 10,8 x 8,26
Non-Locking # 11.16.100			4061 62,7 x 12,3 x 8,26
Non-Locking # 11.16.105			4062 62,7 x 10,8 x 8,26



# CLIPS FOR "INVISIO" KD-SYSTEM



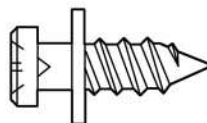
DESCRIPTION & ITEM NO.			Part No. Lenght x Width x depth in mm
Semi-Locking # 11.16.110			4063A 62,7 x 12,3 x 8,26
32 mm Mounting Hole Ctrs. Locking # 11.16.130			5031 42,5 x 13,3 x 11
32 mm Mounting Hole Ctrs. Non-Locking # 11.16.135			5032 42,5 x 13,3 x 11
32 mm Mounting Hole Ctrs. Semi-Locking # 11.16.140			5032A 42,5 x 13,3 x 11
32 mm Mounting Hole Ctrs. & 32 mm Shoulder Screw Ctrs. Both Non-Locking # 11.16.145			5033 74,5 x 13,3 x 11,13
32 mm Mounting Hole Ctrs. & 32 mm Shoulder Screw Ctrs. Locking And Non-Locking # 11.16.150			5034 74,5 x 13,3 x 11,13
32 mm Mounting Hole Ctrs. & 32 mm Shoulder Screw Ctrs. Semi-Locking And Non-Locking # 11.16.155			5035 74,5 x 13,3 x 11,13
6,4 x 25,4 mm Compression Dowel # 11.16.170			5052 surface 6,4 x 9 end grain 6,4 x 16,5
8mm x 35 mm Compression Dowel # 11.16.176			5053a surface 8 x 10,2 end grain 8 x 21,6
Male Anti-Rotation Clip For 19 mm And Larger Stock # 11.16.400			5075 open end pocket 42,5 x 13,3 x 12,07
Female Anti-Rotation Clip For 19 mm And Larger Stock # 11.16.401			5076 open end pocket 42,5 x 13,3 x 12,07

DESCRIPTION & ITEM NO.			Part No.
For 11.16.074 # 11.16.030			1020B 5 mm x 11 mm
For 16 mm panels # 11.16.250			1065 4 mm wood screw x 13 mm
For 19 mm panels # 11.16.030			1165 4 mm wood screw x 16 mm
Blunt Tip Shoulder Screw For 5 mm predrill # 11.16.040			2053 5 mm x 10 mm
Blunt Tip Shoulder Screw For 5 mm predrill # 11.16.045			2055 5 mm wood screw x 13 mm
Shoulder Screw For A 5 mm predrill # 11.16.070			2155 5 mm wood screw x 16 mm
Thread Cutting Metal Screw # 11.16.160			5043 #10-32 MT x 11 mm thread cutting
Metal Screw # 11.16.161			5045 #10-32 MT x 11 mm
Metal Screw # 11.16.220			5065 #10-32 MT x 16 mm

DESCRIPTION & ITEM NO.

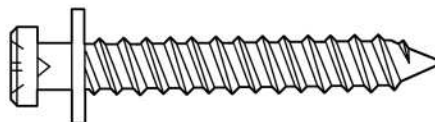
Part No.

For 13 mm panels  
# 11.16.235



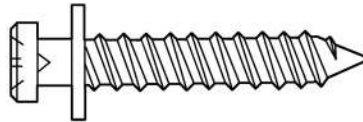
5067  
4 mm wood screw  
x  
11 mm

For 35 mm panels  
# 11.16.225



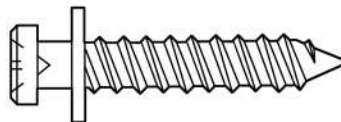
5068  
4 mm wood screw  
x  
32 mm

For 29 mm panels  
# 11.16.230



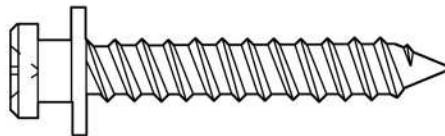
5069  
4 mm wood screw  
x  
25 mm

For 25 mm panels  
# 11.16.245



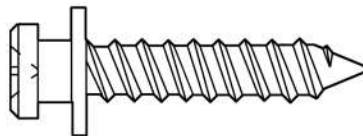
5070  
4 mm wood screw  
x  
22 mm

For 35 mm panels  
# 11.16.305



6068  
5 mm wood screw  
x  
32 mm

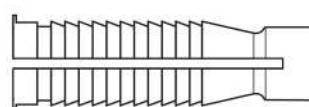
For 25 mm panels  
# 11.16.310



6069  
5 mm wood screw  
x  
22 mm

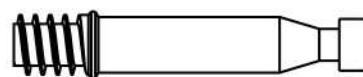
QUICK DOWELS

Quick Dowel - Female Dowle  
End Grain 5 mm x 12 mm  
# 11.16.531



5057  
8 mm x 32 mm

Quick Dowle - Male Bolt  
Surface 5 mm x 12 mm  
# 11.16.530

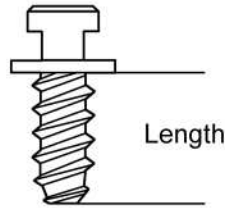


5056  
5 mm x 12 mm

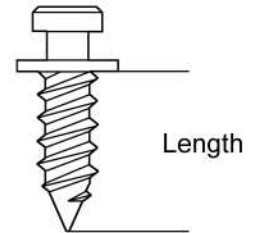


## SHOULDER SCREW

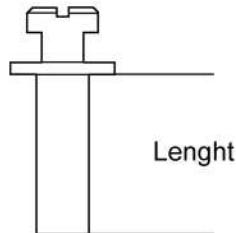
BLUNT TIPPED SCREW 5 mm PREDRILL	
PART#	LENGTH mm
2055	12,7
2052	10



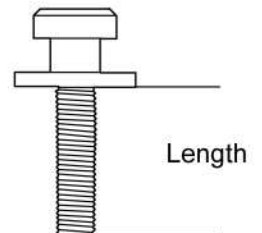
POINTED TIP SCREW 5 mm PREDRILL	
PART#	LENGTH mm
2155	15,9



M4 INTERNAL THREAD 5 mm PREDRILL	
PART#	LENGTH mm
2066	12



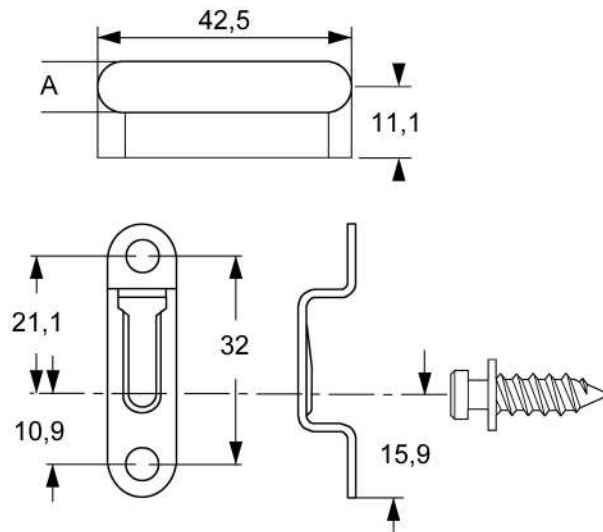
M4 THREAD USE WITH M4 INTERNAL THREAD FEMALE SHOULDER SCREW	
PART#	LENGTH mm
2065	12
2069	15



## SINGLE CLIPS

PART#	DESCRIPTION	A - mm
4031	PASS - THRU	16 mm
4032	NON-LOCKING	16 mm
4034	LOCKING	16 mm
4035	SEMI-LOCKING	16 mm
5030	PASS-THRU	19 mm
5031	LOCKING	19 mm
5032	NON-LOCKING	19 mm
5032A	SEMI-LOCKING	19 mm

A: pocket width



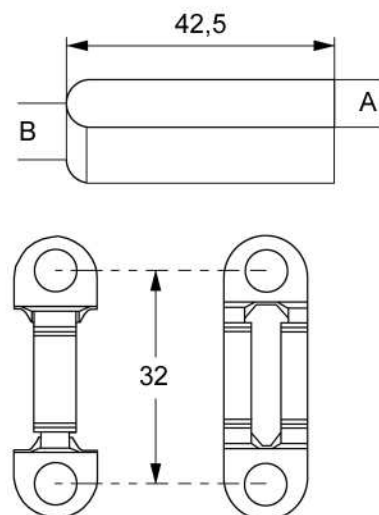
## ANTI-ROTATIONAL CLIPS

PART#	DESCRIPTION	A - mm	B - mm
2075	MALE NON-LOCKING	16 mm	12,7
2076	FEMALE NON-LOCKING	16 mm	12,7
2077	FEMALE SEMI-LOCKING	16 mm	12,7
5071	MALE PASS-THRU	16 mm	11,0
5072	FEMALE PASS-THRU	19 mm	13,3
5073	MALE LOCKING	19 mm	13,3
5074	FEMALE LOCKING	19 mm	13,3
5075	MALE NON-LOCKING	19 mm	13,3
5076	FEMALE NON LOCKING	19 mm	13,3

A: pocket width

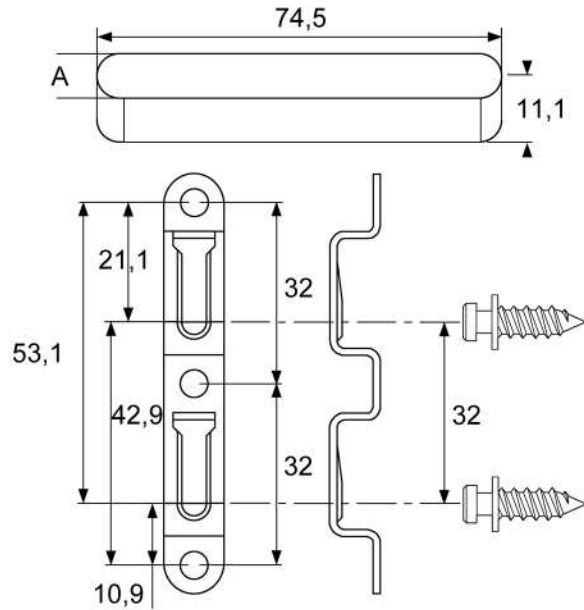
B: pocket depth

DIMENSIONS - mm



DOUBLE CLIPS

PART#	DESCRIPTION	A - mm	
4036	NON-LOCKING	16 mm	11
4037	SEMI-LOCKING	16 mm	11
4038	LOCKING	16 mm	11
4039	PASS-THRU	16 mm	11
4039A	PASS-THRU	16 mm	11
	SEMI-LOCKING	16 mm	11
5033	NON-LOCKING	19 mm	13,3
5034	LOCKING	19 mm	13,3
5035	SEMI-LOCKING	19 mm	13,3
5039	PASS-THRU	19 mm	13,3
5039A	PASS-THRU	19 mm	13,3
	SEMI-LOCKING	19 mm	13,3



A: pocket width  
Dimensions - mm

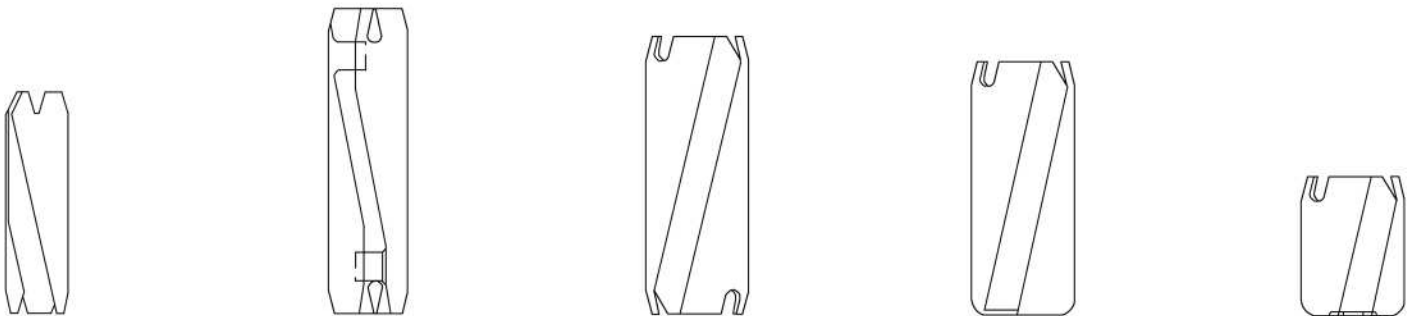
COMPRESSION DOWELS

Applications:

Used to fasten decorative trim pieces (ex. toe kicks, splash rails, top caps).

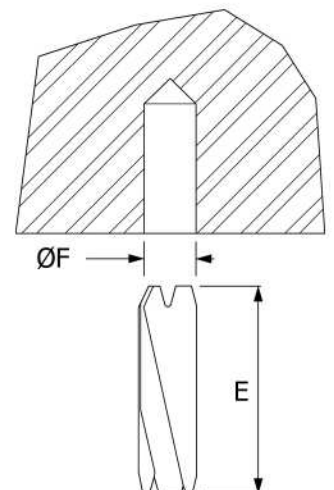
Used with wood dowels, the compression dowels function as an internal clamp until the glue sets.

Surface mount dowels feature a closed end that can be screwed down with a #10 pan head screw. This allows the dowel to stay fastened to the proper member during disassembly..

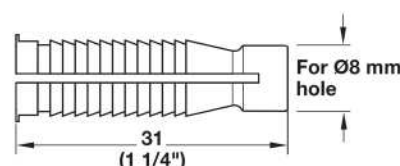
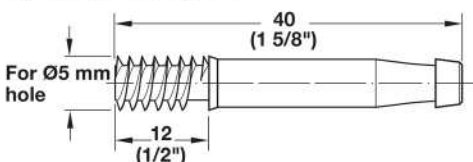


PART#	DESCRIPTION	E - mm	F - mm
5052	COMPRESSION DOWEL	25,4	6,4
5053A	COMPRESSION DOWEL	34,9	8,0
5055	COMPRESSION DOWEL	31,8	10,5/11
5055A	SURFACE MOUNT COMPRESSION DOWEL	29,0	10,5/11
5055B	SURFACE MOUNT COMPRESSION DOWEL	15,9	10,5/11

E: overall length  
F: recommended pre-drill



QUICK DOWELS



QUICK DOWEL - MALE BOLT SURFACE

QUICK DOWEL - FEMALE DOWEL END GRAIN

## COMPRESSION DOWEL - spring steel

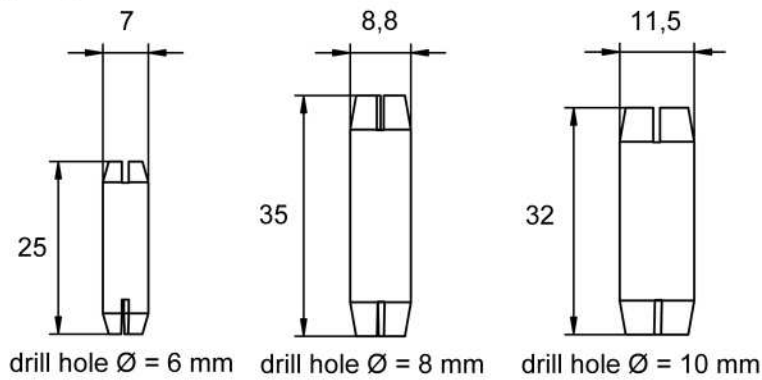
6 x 25 mm



8 x 35 mm



10 x 32 mm



Drill with dowel inserting machine



Drill



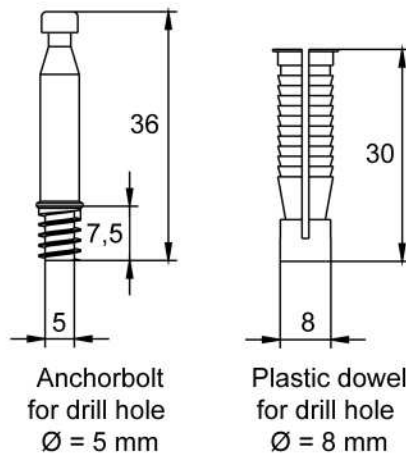
Knock in



Assemble

- Mounting: Self-tightening by tension against insertion direction
- Advantages: Concealed, self-tightening dowel, immediate load bearing
- Installation: Dowel-jig, power drill, dowel inserting machine
- Suitable materials: All kinds of wood material (solid and composite material)
- Application: To join furniture, interior design, shopfitting

## QUICK-SET - 2-part cabinet connector



Drill with dowel inserting machine



Drill



Screwing



Knock in



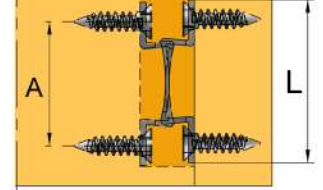
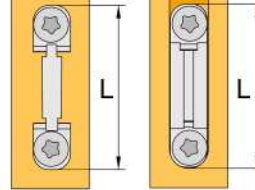
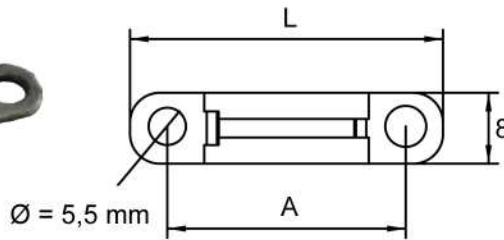
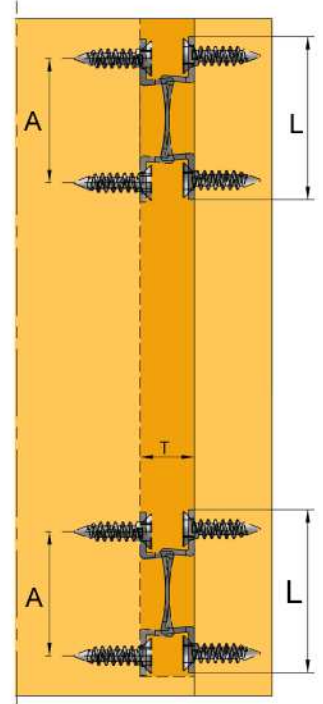
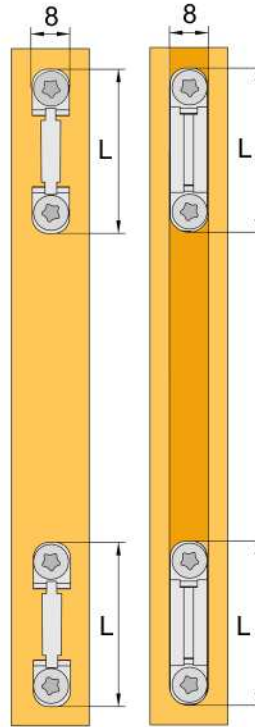
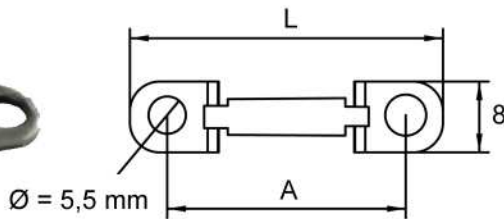
Assemble

- Mounting: By screwing in the anchorbolt and knock in the plastic dowel
- Advantages: Concealed, self-tightening connector
- Installation: Dowel-jig, power drill, dowel inserting machine
- Suitable materials: All kinds of wood boards (solid and composite material)
- Application: Furniture, interior design, shopfitting

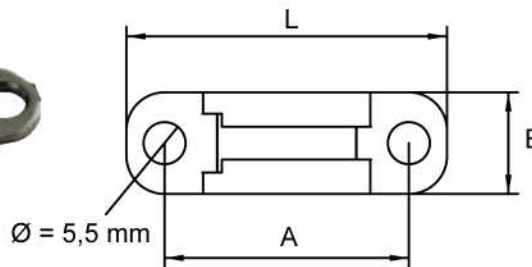
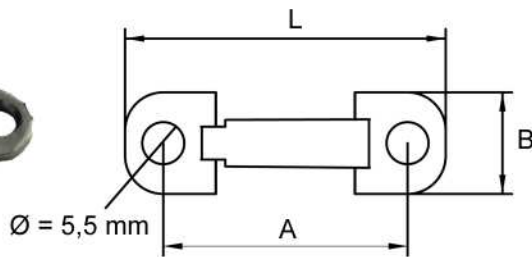


# "INVISIO" ANTI ROTATING CLIPS

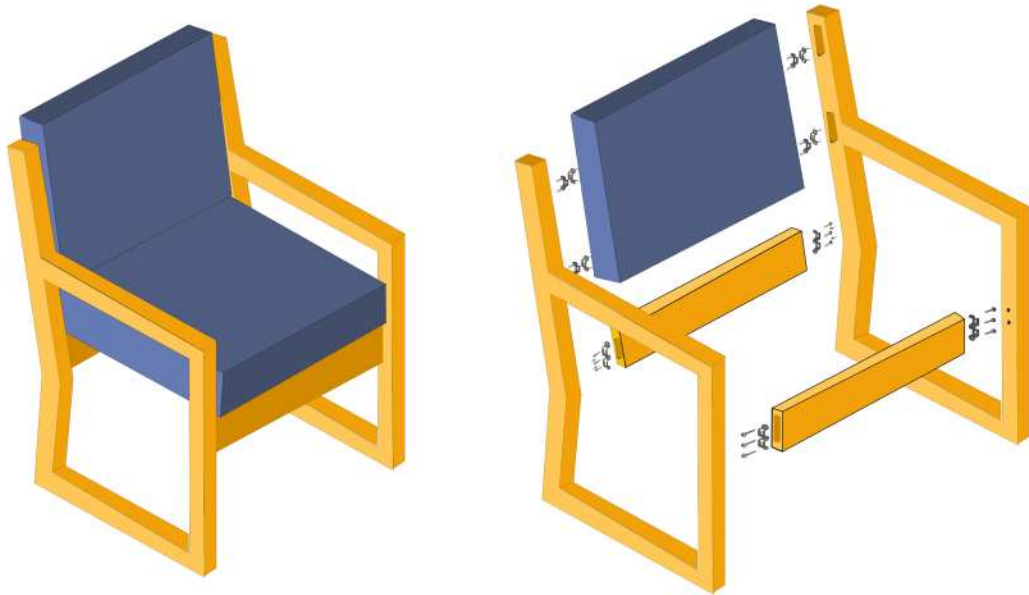
Connector for cabinet, Anti-Rotation, out of spring steel



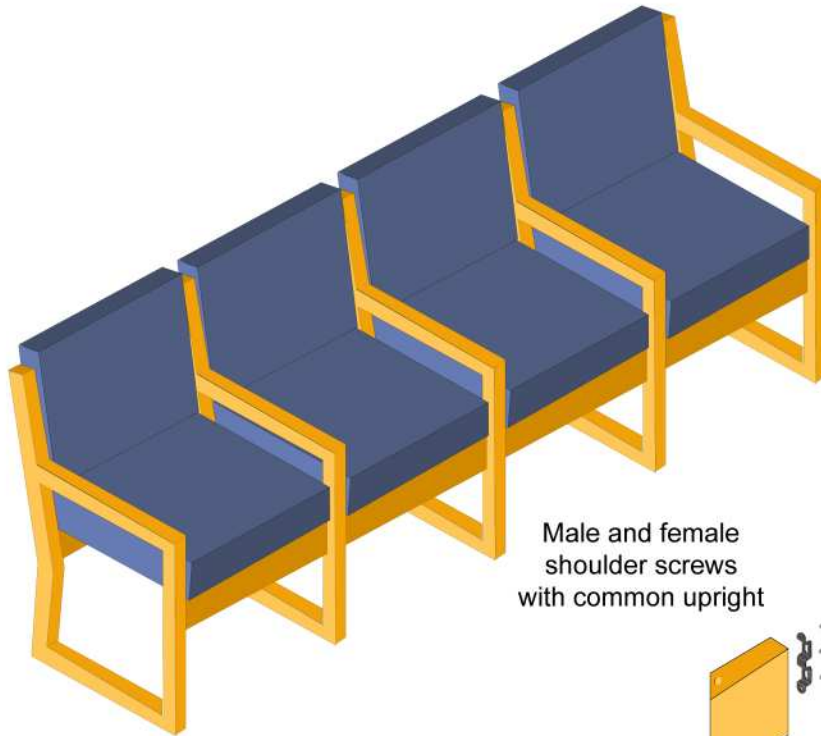
Connector for Frames, friction prevents the joint from disengaging, with Pass-Thru Clip



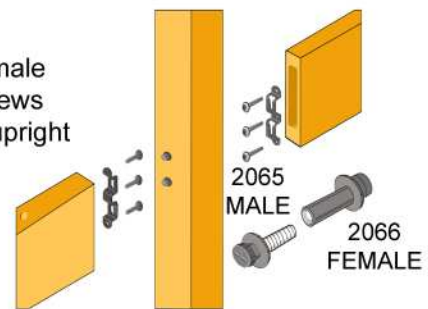
MODEL	2075/76/77	5075/76
Routing depth T:	14 mm	12 mm
Routing width B:	10 mm	13,5 mm
Routing length L:	42 mm	42 mm
Panel thickness from:	16 mm	19 mm
Hole-line A:	32 mm	32 mm
Mounting:	Screwed in by using PH-screws Ø = 4,5 mm (length as required)	
Advantages:	No rotation, concealed, self-tightening connector for 32 mm system, demountable	
Installation:	Spindle moulder, plunge router, CNC equipment	
Suitable materials:	Solid wood, wood panels, composite materials from 16 mm thickness up	
Application:	Prevents rotation in furniture parts where height of the part is as small as 50 mm	



ALSO GREAT FOR CHAIR ROW

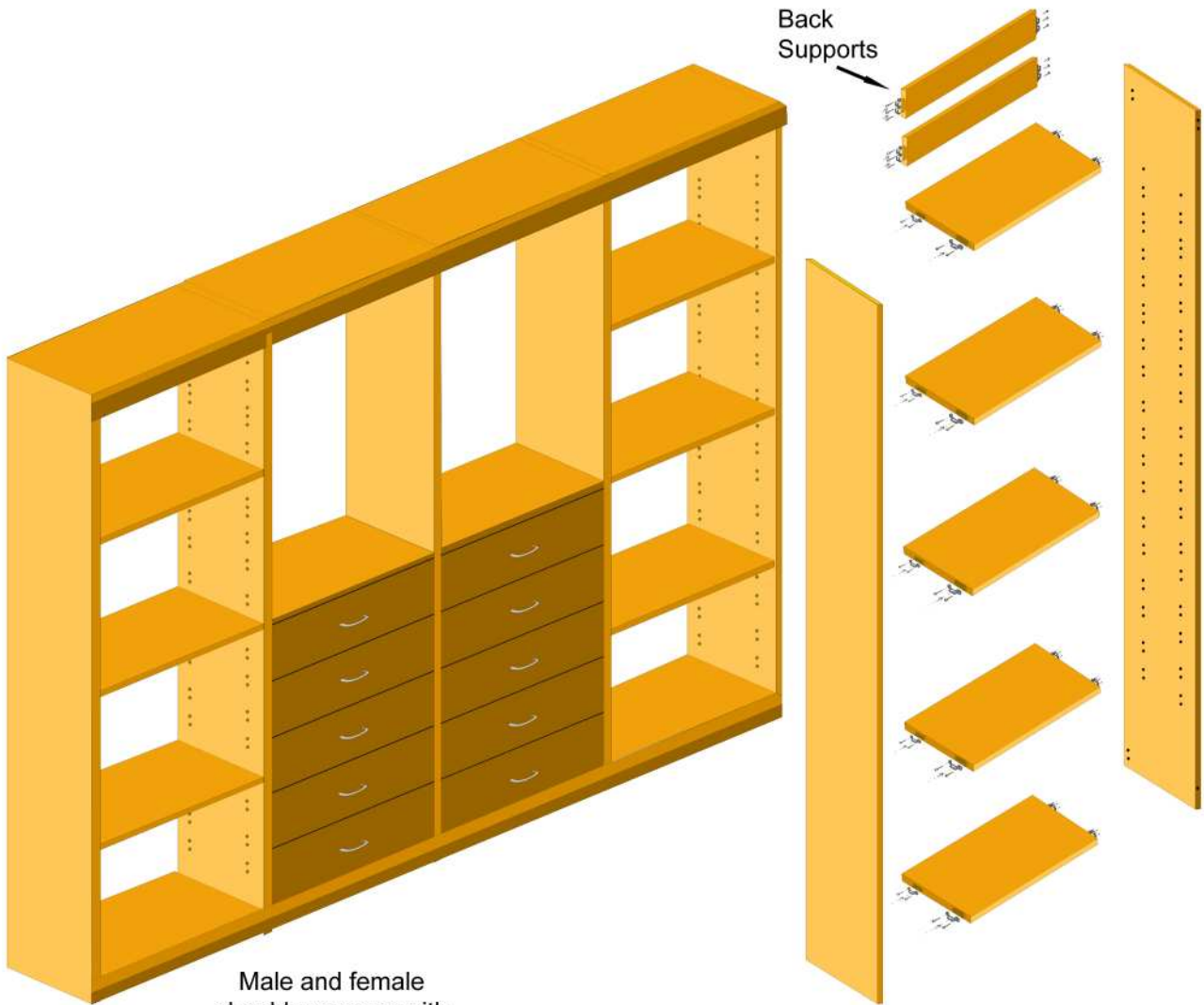


Male and female  
shoulder screws  
with common upright

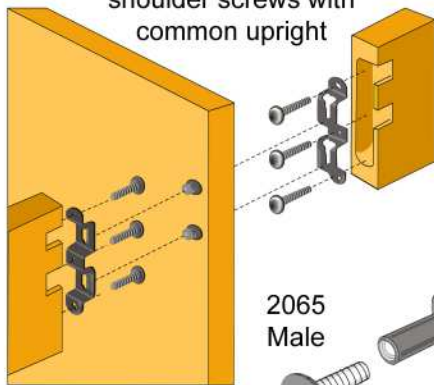


COMPRESSION DOWELS CAN BE USED TO ATTACH DECORATIVE MOULDING TO ARM RAILS

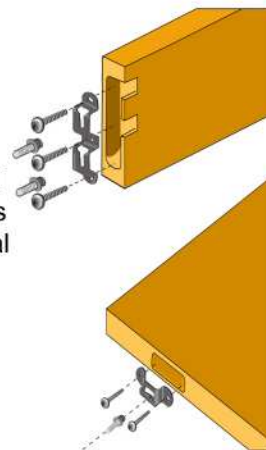




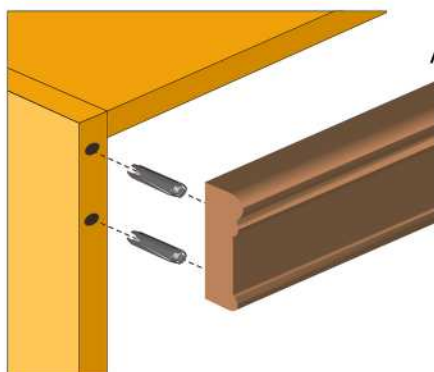
Male and female shoulder screws with common upright



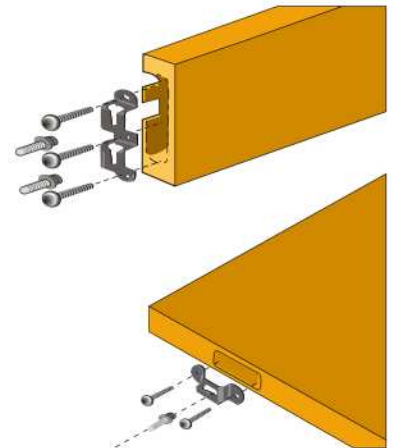
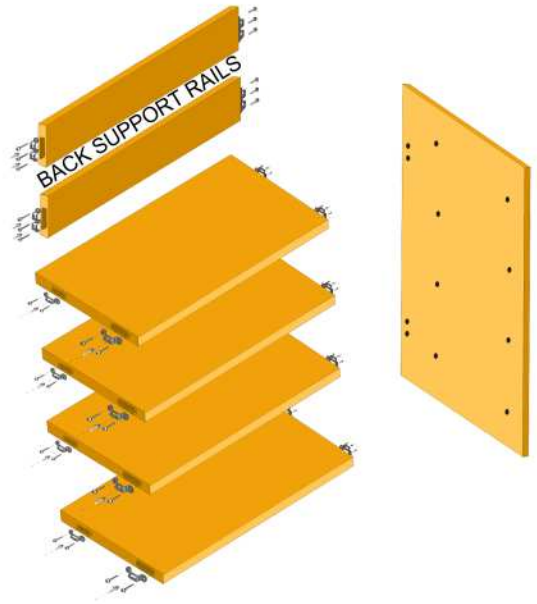
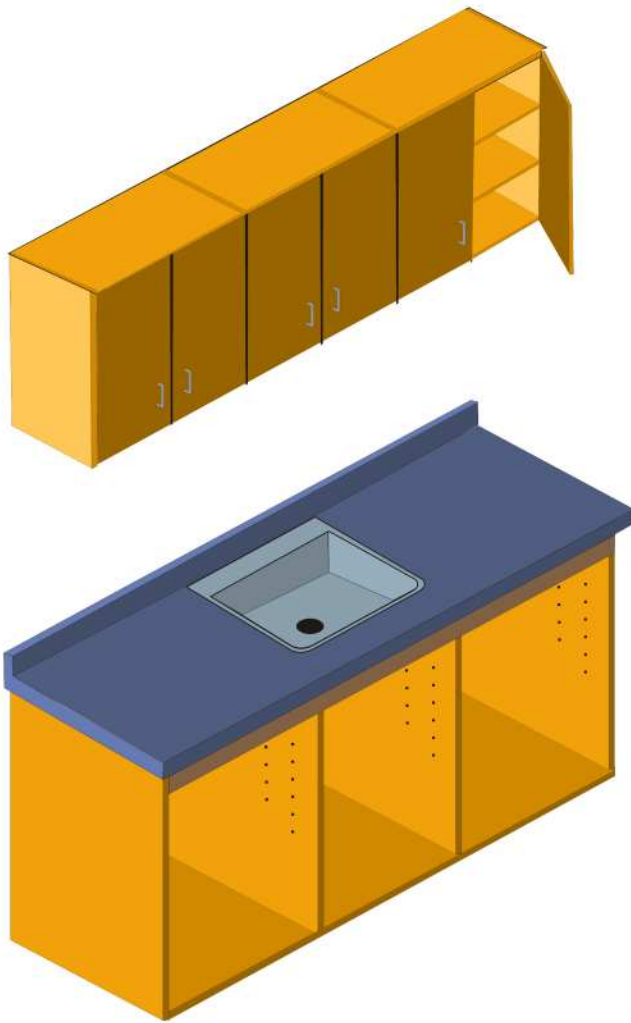
Sex bolts are used for attaching panels to a common vertical panel



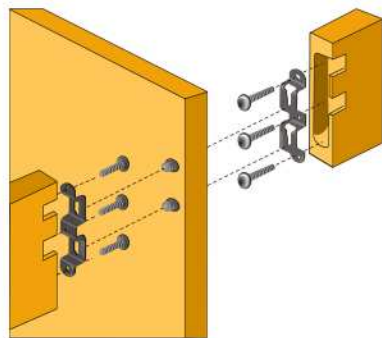
COMPRESSION DOWELS CAN BE USED FOR ATTACHING DECORATIVE MOULDING PIECES



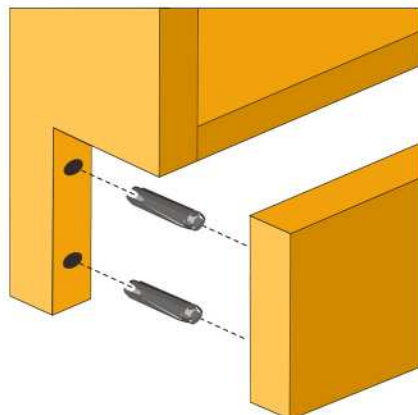




Male and female shoulder screws with common upright



Side by side by units can be assembled using sex bolts between common upright



Compression dowels can be used for attaching toe kicks to base units



5053A  
compression dowel





*- high quality furniture fittings*

**SISO A/S**

Mileparken 11 Phone: (+45) 45 830 900  
DK - 2740 Skovlunde (Copenhagen) Fax: (+45) 45 830 444  
Denmark E-mail: [siso@siso.dk](mailto:siso@siso.dk) Web: [www.siso.dk](http://www.siso.dk)