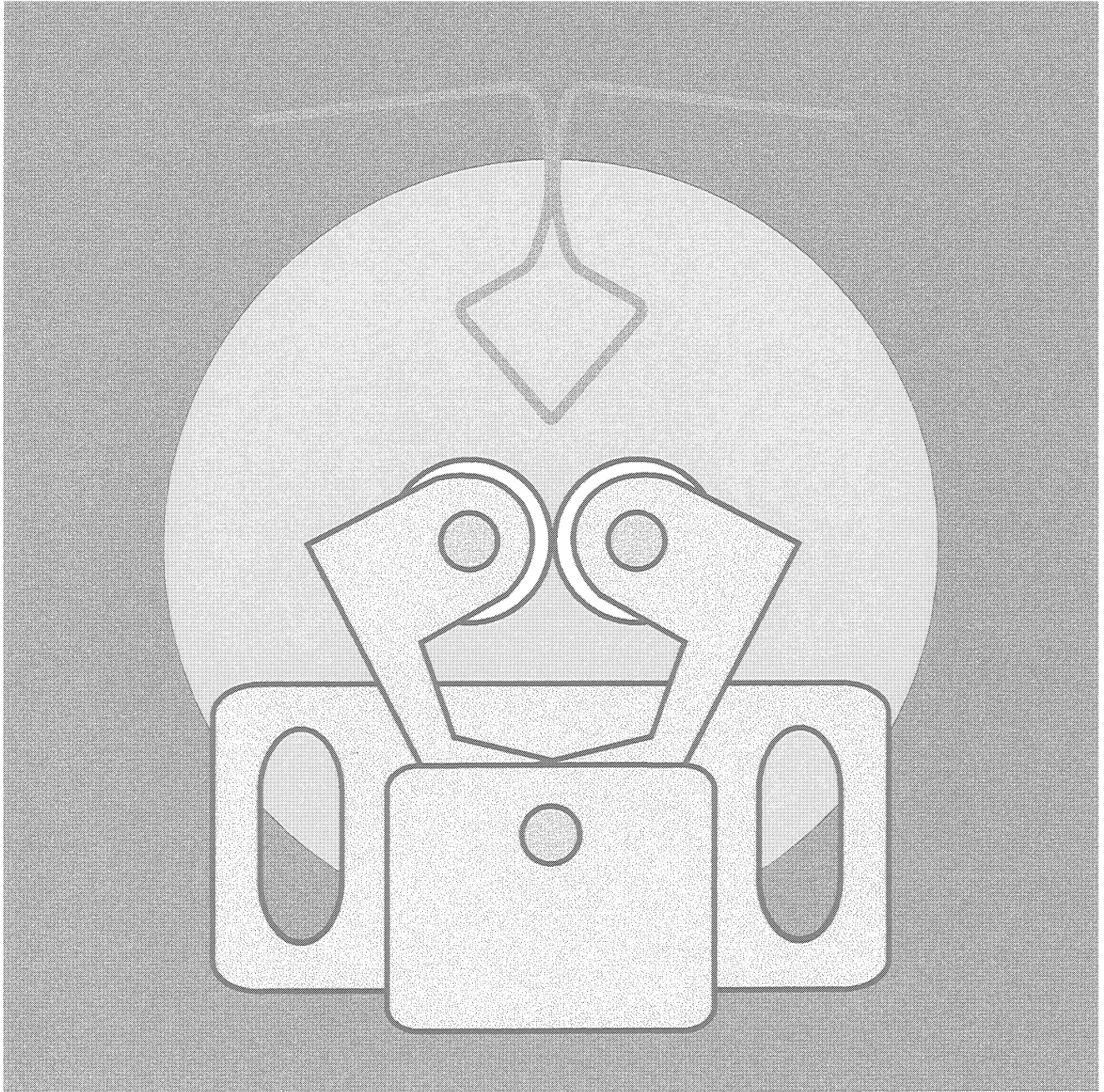


Cabinet Fittings



SISO

SISO A/S - DK 2830 VIRUM - (COPENHAGEN)

DENMARK

PHONE: (+45) 45 830 900

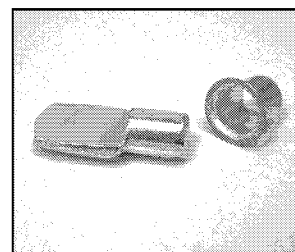
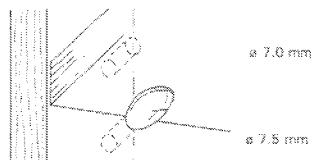
FAX: (+45) 45 830 444

SHELF SUPPORT - TRADITIONAL

Finish: Iron, Brass Plated

Plug: # 1200 #22.02.015

Bushing: # 1100 #22.02.025



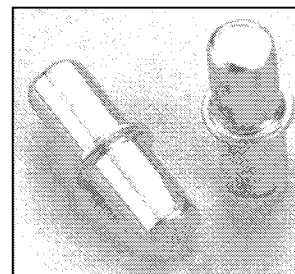
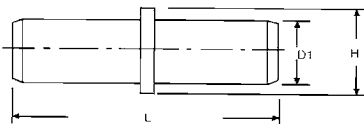
SHELF SUPPORT - DUPLO

Finish: Iron, Nickel Plated #22.02.030

Iron, Brass Plated #22.02.031

Iron, Bright Zinc Pl. #22.02.032

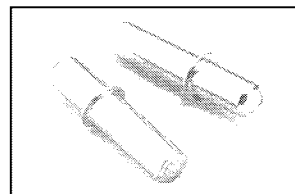
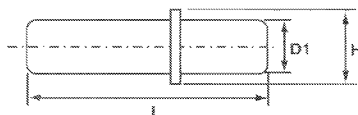
Size: D1: \varnothing 5 mm L: 16,5 mm H: \varnothing 8 mm



SHELF SUPPORT - DUPLO EXTRA LONG

Finish: Iron, Bright Zinc Pl. #22.02.036

Size: D1: \varnothing 5 mm L: 21,7 mm H: \varnothing 7 mm

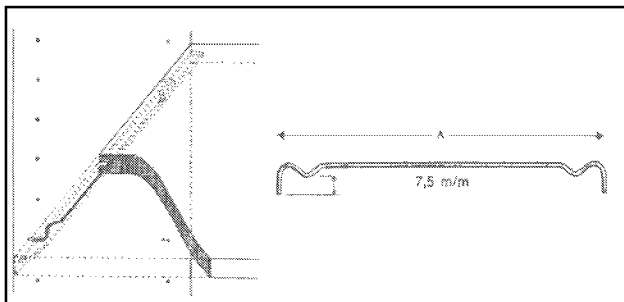


WIRE SHELF SUPPORT

Bore: \varnothing 3 mm

Finish: Bright Zinc Plated

Sizes:
 96 mm c/c x 2.75 mm
 160 mm c/c x 2.75 mm
 192 mm c/c x 2.75 mm #22.02.330
 256 mm c/c x 2.75 mm #22.02.390
 320 mm c/c x 2.75 mm



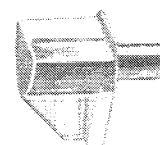
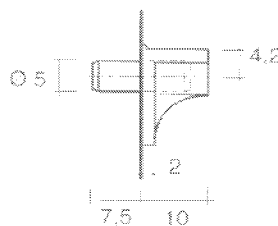
SHELF SUPPORT - METAL / PLASTIC

Material: Iron Plug \varnothing 5 mm, Bright Zinc Pl.
 Plastic Support

Finish: Brown #22.02.040

Transparent #22.02.043

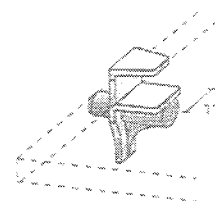
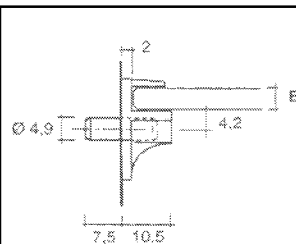
White #22.02.045



SHELF SUPPORT - GLASS - WITH RETAINER

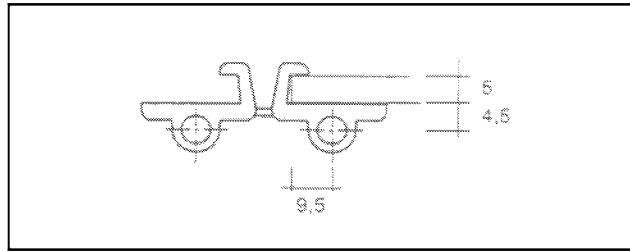
Material: Iron Plug \varnothing 5 mm, Bright Zinc Pl.
 Plastic Support & Retainer

Finish: Transparent #22.02.080



SHELF SUPPORT - GLASS - WITH SLIDE LOCK # 1630 - Moulded in set (left + right)

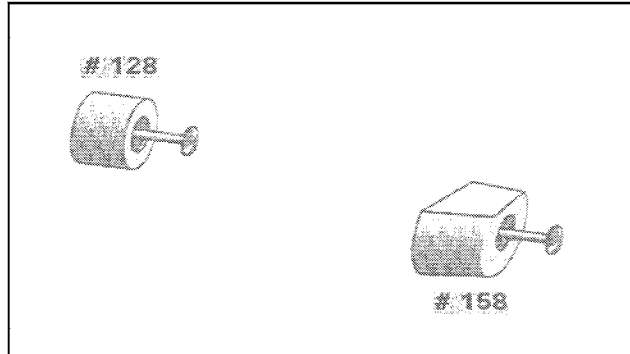
Material: Transparent Plastic
Pin: \varnothing 5 mm
Bore Hole: 9,5 mm from edge
Glass: 5 mm **#22.02.082**



SHELF SUPPORT - NAIL ON

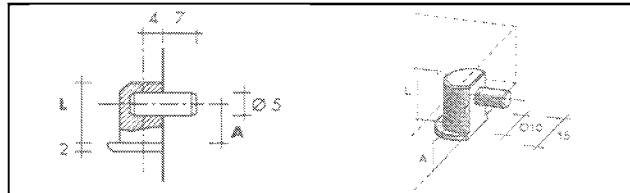
Material: Plastic + Steel Nail 18 mm

128 White \varnothing 12x8mm **#22.02.055**
Brown \varnothing 12x8mm **#22.02.056**
Black \varnothing 12x8mm **#22.02.057**
158 White \varnothing 15x8mm **#22.02.060**
Brown \varnothing 15x8mm **#22.02.061**
Black \varnothing 15x8mm **#22.02.065**



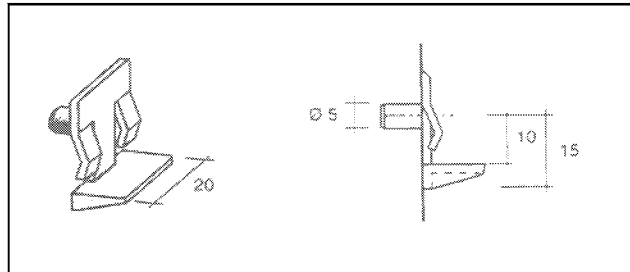
SHELF SUPPORT - RECESSED f/ 16 mm Panel

Material: Plastic, Brown **#22.02.150**
Size: Bore: \varnothing 10 mm L: 11,3 mm A: 8,5 mm



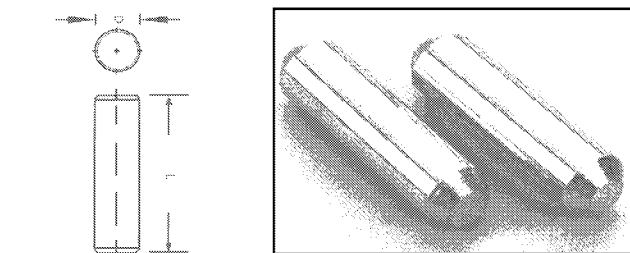
SHELF SUPPORT w/Flexible Retainer - for Glass Shelves

Material: Plastic
Pin: \varnothing 5 mm
Colours: White **#22.02.066**
Black **#22.02.067**



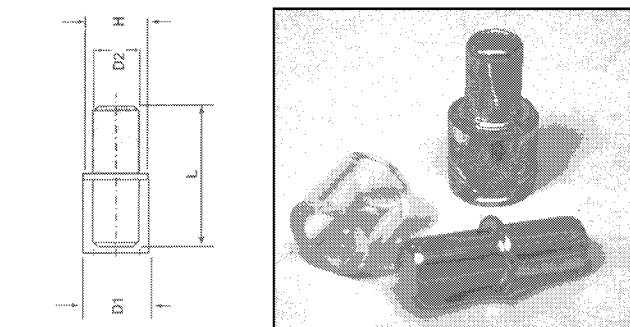
SHELF SUPPORT - DUPLO Extra Long without collar

Finish: Iron, Bright Zinc Pl. **#22.02.039**
Size: D1: \varnothing 5 mm
L: 21 mm



SHELF SUPPORT - DUPLO w/Transparent Plastic Sleeve

Finish: Iron, Bright Zinc Pl. **#22.02.037**
Iron, Brass Plated **#22.02.038**
Size: D1: \varnothing 8 mm
D2: \varnothing 5 mm
L: 16 mm
H: 7 mm



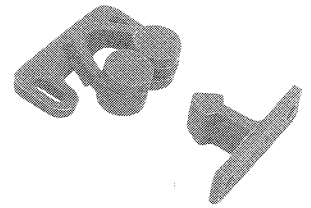
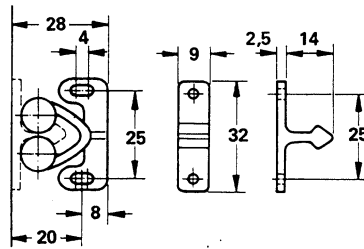
CATCHES

d:\artwork\cab#7

SISO

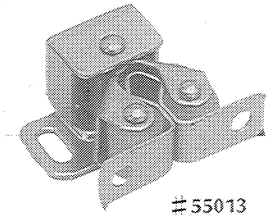
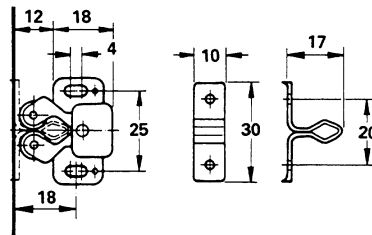
PLASTIC ROLLER CATCH w/ striker
No Noise – Rust Proof – Bulk Packed

Material: Plastic L: c/c 25 mm
Colour: White
Packing: 2000 pcs (# 22.01.530)



DOUBLE ROLLER CATCH
Bulk Packed – No Screws Included

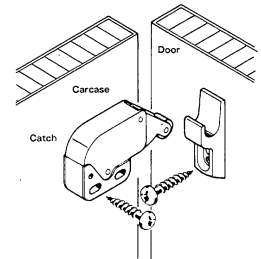
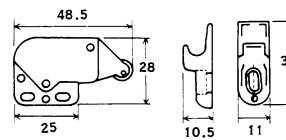
Finish: Iron, Bronze Plated (# 22.01.500)
Iron, Bright Zinc Plated (# 22.01.510)



MINILATCH – TOUCH TO OPEN

Finish: Metal / Plastic, Brown (# 22.01.010)
Metal / Plastic, White (# 22.01.015)

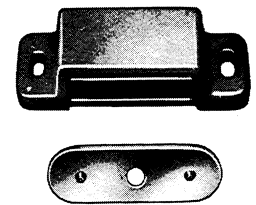
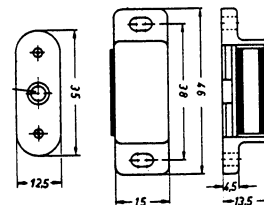
Position: Universal



MAGNETIC CATCH – 4 & 6 KILOS
With Counter Plate - c/c 32 & 37 mm

4 KILOS Metal / Plastic, White (# 22.01.025)
Metal / Plastic, Brown (# 22.01.031)

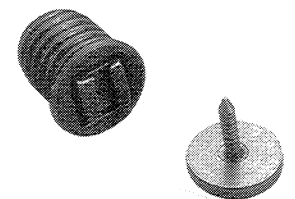
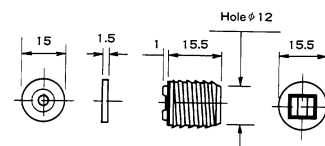
6 KILOS Metal / Plastic, White (# 22.01.037)



KNOCK IN MAGNETS - 4 KILOS - INSIDE
Including Round Nail Striker

Type: X-S1 (# 22.01.057)

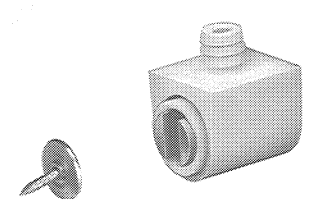
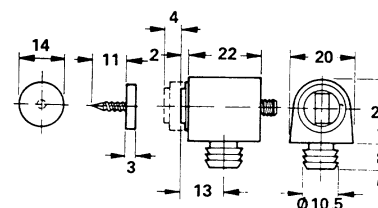
Position: Frontal Bore: \varnothing 12 x 14 mm



KNOCK IN MAGNETS - 4 KILOS - OUTSIDE
Including Round Nail Striker

Type: X-S2 – Brown (# 22.01.061)
X-S2 – White (# 22.01.063)

Position: Lateral Bore: \varnothing 10 x 8 mm



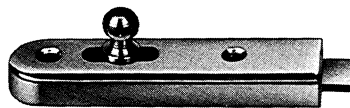
SLIDING BOLT - 50 MM
STRAIGHT CAM - NO STOP

Model: # 352 22.06.004

Material: Steel

Finish: Nickelplated

Packing: 120 pcs per carton



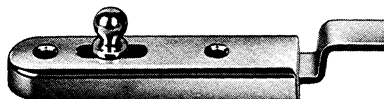
SLIDING BOLT - 50 MM
CRANKED CAM - NO STOP

Model: # 353 22.06.010

Material: Steel

Finish: Nickelplated

Packing: 120 pcs per carton



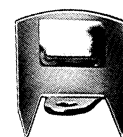
SLIDING BOLT - 70 MM
CRANKED CAM - WITH 'G' STOP

Model: # 7403 22.06.040

Material: Steel

Finish: Nickelplated

Packing: 60 pcs per carton



SLIDING BOLT - 70 MM or 80 MM
STRAIGHT CAM - WITH 'H' STOP

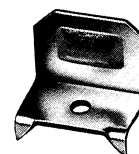
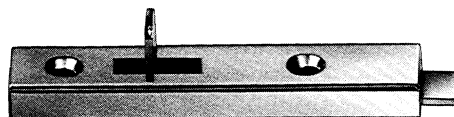
Model: # 7404 / 70 MM - Brassplated 22.06.012

7404 / 70 MM - Nickelplated 22.06.013

7404 / 80 MM - Nickelplated 22.06.014

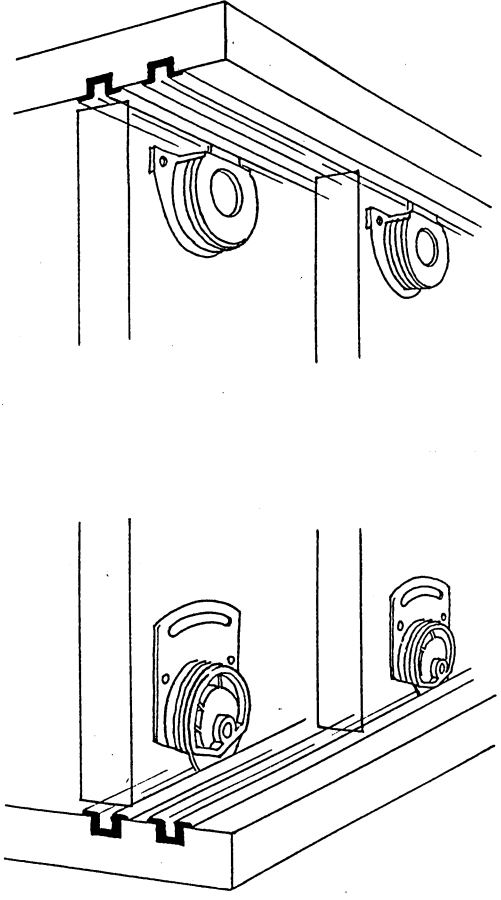
Material: Steel

Packing: 100 pcs per carton



SLIDING DOOR FITTINGS (ART-WORKSLIDE1)

SISO



SLIDING DOOR FITTINGS

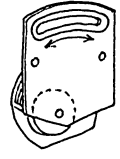
CAPACITY: 18 KILOS PER DOOR

MATERIAL: PLASTIC

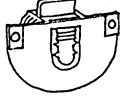
BROWN: # 22.27.110
 WHITE: # 22.27.111
 BLACK: # 22.27.112

1 SET =) 2 TOP GUIDES &
 1 DOOR) 2 ROLLER GLIDES


MOVE ROLLER GLIDE TO EITHER RAISE OR LOWER THE DOOR



**ROLLER GLIDE
 W/ HEIGHT ADJUSTMENT
 BROWN PLASTIC**

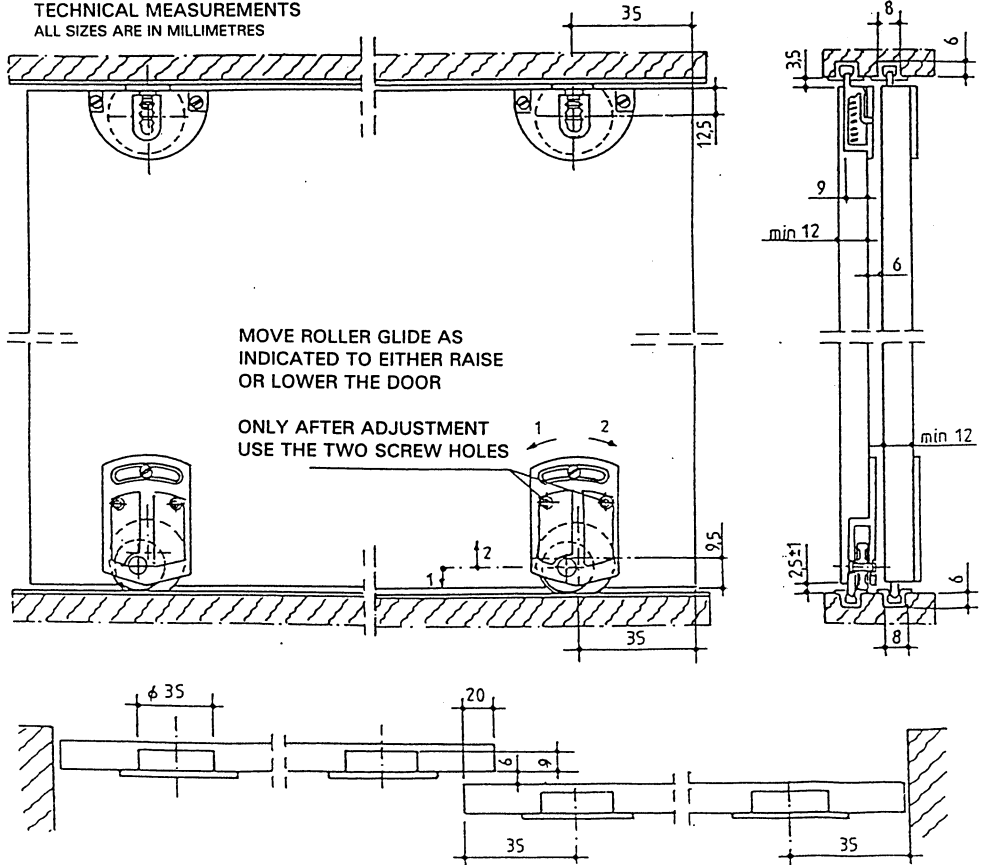


**TOP GUIDE
 LOCK-RELEASE BUTTON
 BROWN PLASTIC**



**U-TRACK # 6233
 TOP & BOTTOM MOUNT
 GROOVE: 8 MM
 BROWN: # 22.27.125
 WHITE: # 22.27.126
 BLACK: # 22.27.127**

**TECHNICAL MEASUREMENTS
 ALL SIZES ARE IN MILLIMETRES**



MOVE ROLLER GLIDE AS INDICATED TO EITHER RAISE OR LOWER THE DOOR

ONLY AFTER ADJUSTMENT USE THE TWO SCREW HOLES

Dimensions shown: 35, 12.5, 8, 6, 3.5, 9, min 12, 6, min 12, 1.25±1, 8, 9.5, 35, 20, 6, 9, 35, 35, 35.

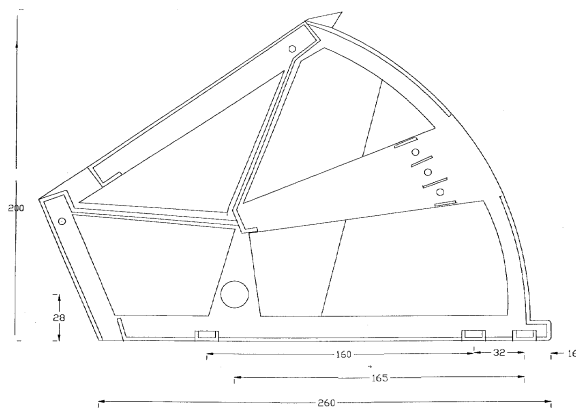
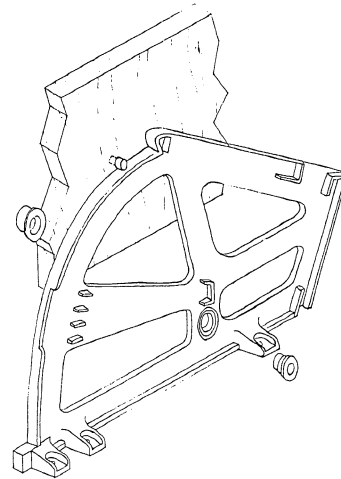
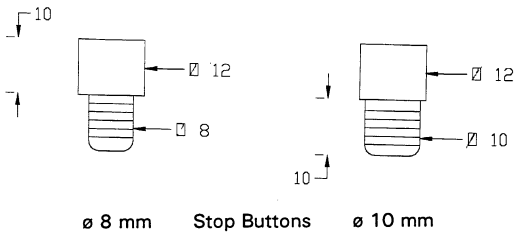
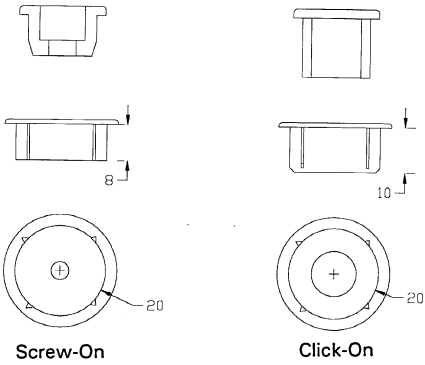
SHOE BOY

Material: Nylon, white

Models: 1 Opening
2 Openings **22.07.210**
3 Openings

Packing: 3 Pairs per Polybag

Supplied with Screw-On or Click-On Bushings



Wardrobe Slide Hanger

- with black plastic runners

The perfect solution for wardrobes which are relatively slim or for people who just want to utilize the space in their wardrobe better.

With the extensible wardrobe slide hanger the customer will be able to store his suits and jackets in his wardrobe without getting the clothes wrinkled by the backwall or the door of the wardrobe.

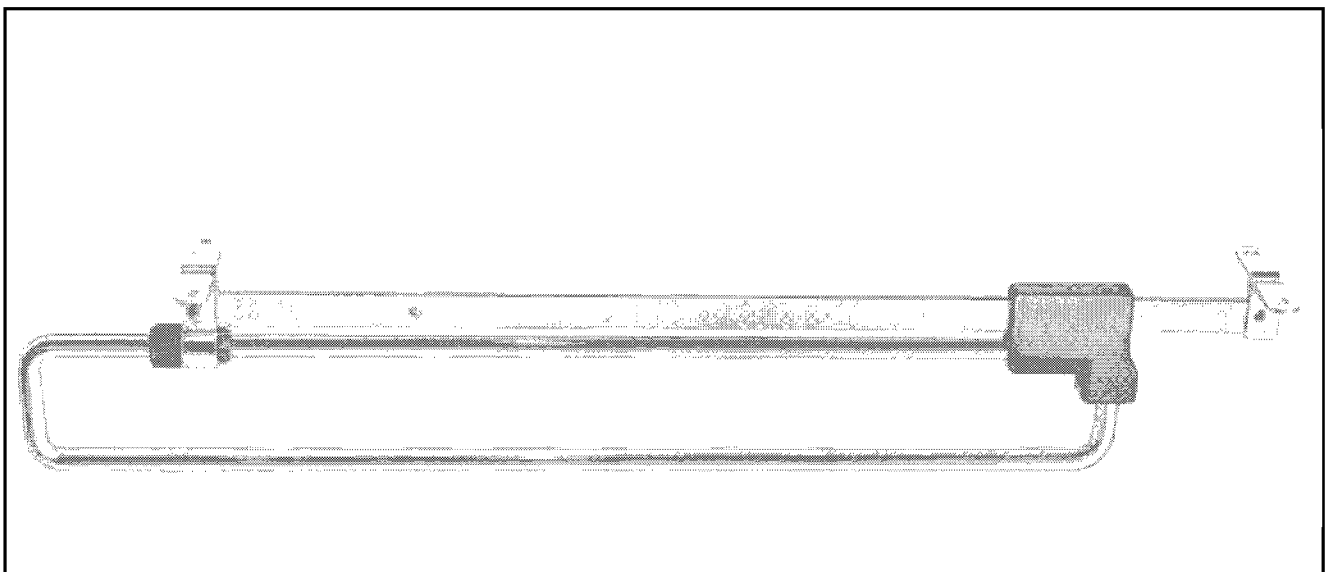
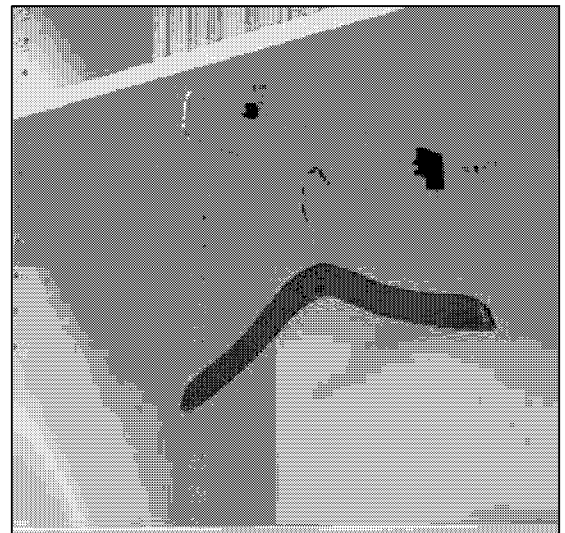
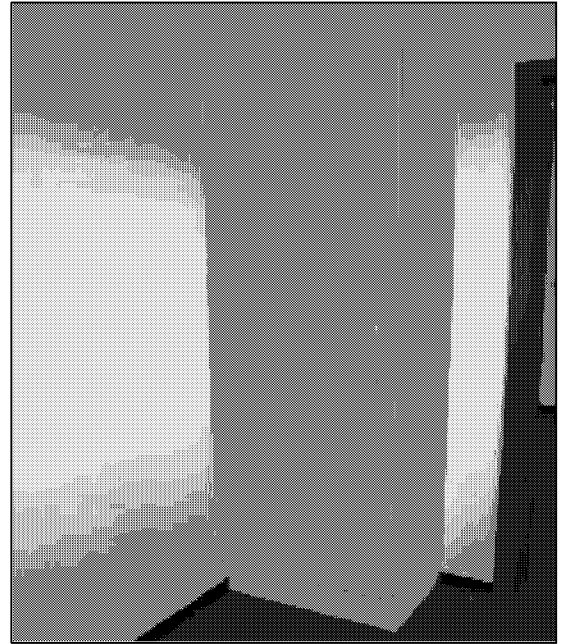
The wardrobe slide hanger simply gives the customer the possibility to put in the clothes in layers on the extensible hanger instead of hanging it in rows on the traditional wardrobetube.

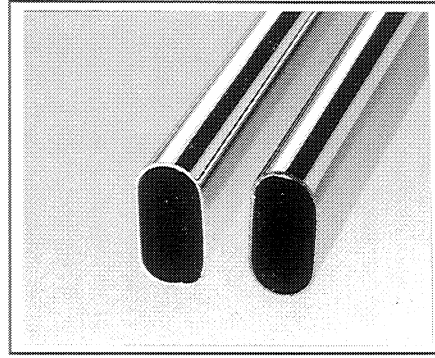
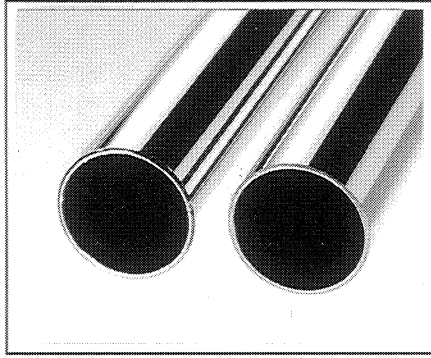
Available in following lengths (closed) and finishes:

Lenght:	250MM, Nickel Plated c/c 223 x 32 mm	# 22.07.096
	300MM, Nickel Plated c/c 276 x 32 mm	# 22.07.100
	350MM, Nickel Plated c/c 325 x 32 mm	# 22.07.106
	400MM, Nickel Plated c/c 375 x 32 mm	# 22.07.111
	450MM, Nickel Plated c/c 423 x 32 mm	# 22.07.116
	500MM, Nickel Plated c/c 473 x 320 mm	# 22.07.121

Fixation: Wood Screws: $\varnothing 4$ x 16 mm

Material: Steel

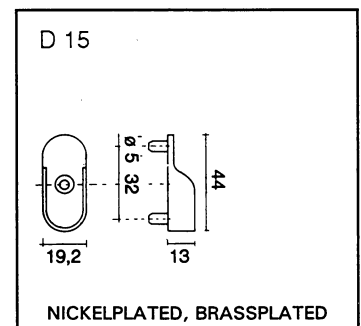
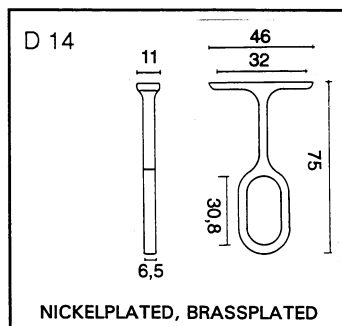
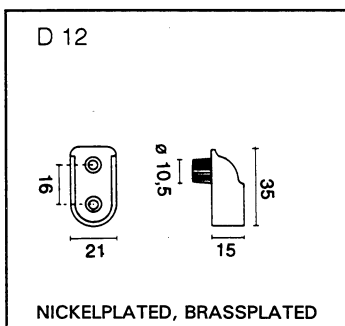
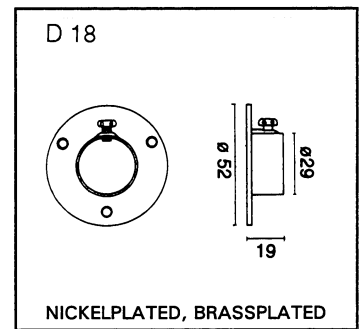
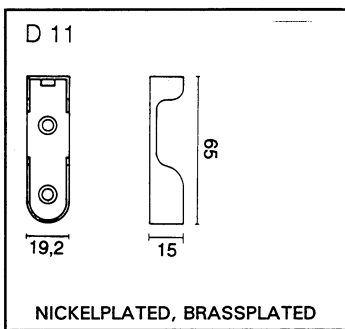
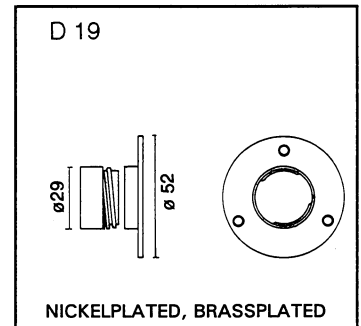
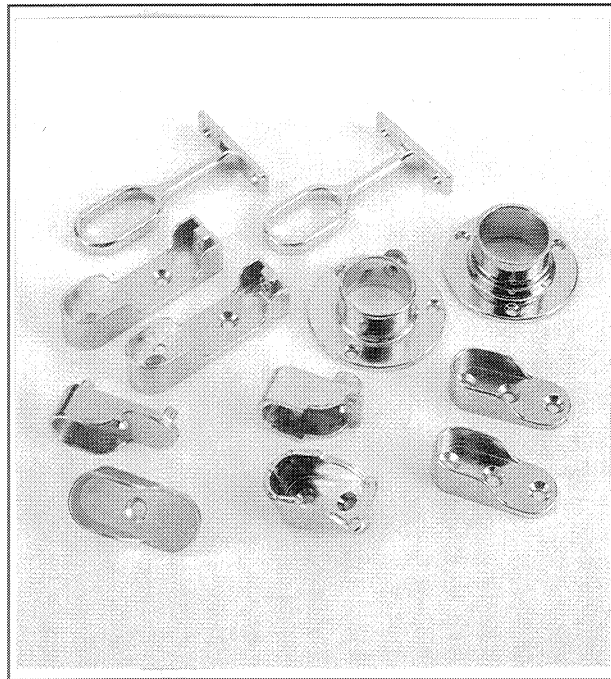
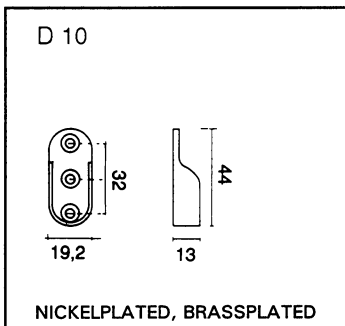




ART	SIZE	WALL
N 33	25 MM	1.0 MM
N 01	25 MM	1.2 MM
N 52	20 MM	0.8 MM
N 34	20 MM	1.0 MM
N 47	19 MM	0.9 MM
N 06	18 MM	0.8 MM

ART	SIZE	WALL
N 42	30 x 15 MM	0.7 MM
N 10	30 x 15 MM	1.0 MM
N 43	30 x 15 MM	1.2 MM
N 44	30 x 15 MM	1.5 MM
N 41	25 x 15 MM	1.0 MM
N 07	22 x 15 MM	0.8 MM

ACCESSORIES (SUPPORTS)



(ART-WORK(TUBE1))