

# PNEUMATIC EXPANSION SPRING

- high quality furniture fittings



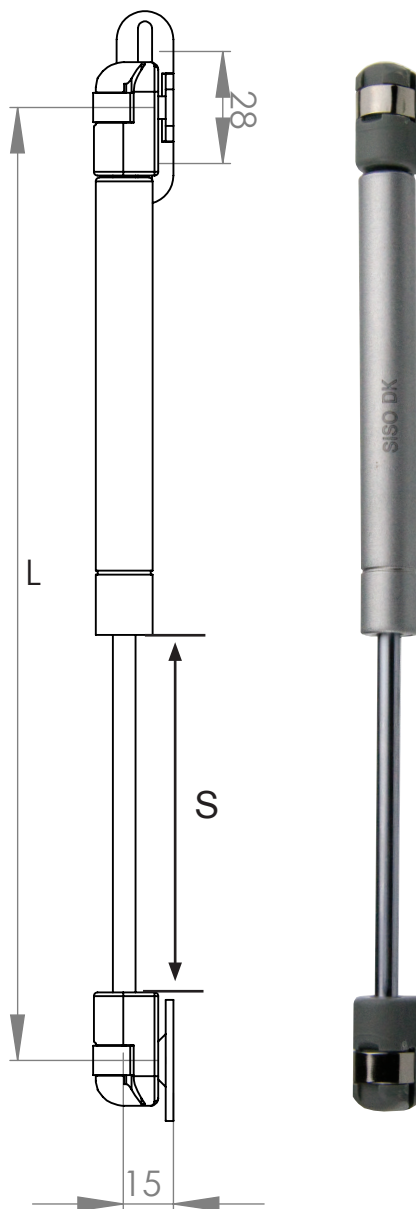
# 15.11.458



# 15.11.462



# 15.11.454



## PNEUMATIC EXPANSION SPRING

Material: Steel , Silver /Nickel plated

Size: Piston  $\varnothing$  6 mm  
Cylinder  $\varnothing$  15 mm

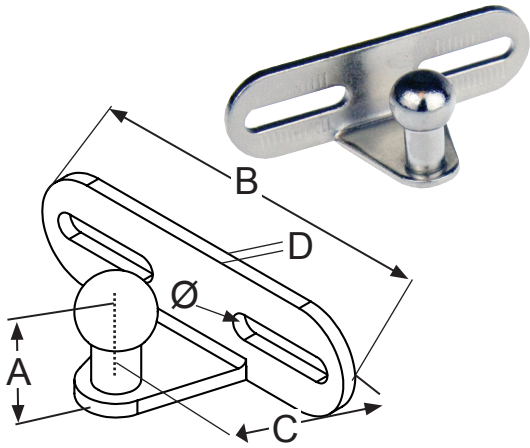
Stroke (S): 92 mm

L	S	Material	Force	Item No.
247 mm	92 mm	Steel	60N	# 15.11.439
247 mm	92 mm	Steel	80N	# 15.11.440
247 mm	92 mm	Steel	100N	# 15.11.441
247 mm	92 mm	Steel	120N	# 15.11.442

Mounting bracket to be ordered seperatly. See next page

SGS test: 60.000 cycles

## L-MOUNTING BRACKET

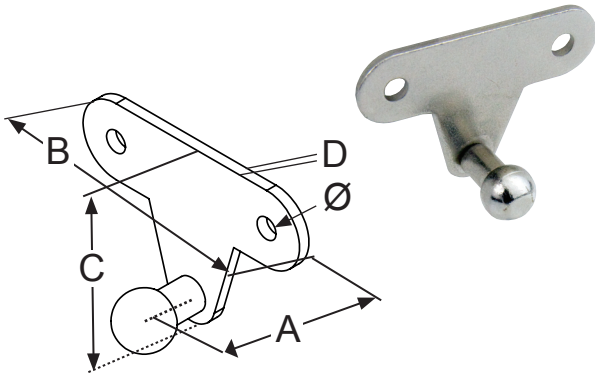


Material: Steel, Nickel Plated (NPL)

A	B	C	D	Ø	Item No.
16,5 mm	51 mm	15 mm	2 mm	Ø 4 x 17 mm	# 15.11.458

Incl. 2 Nickel plated wood screws, PZD, Ø 3,5 x 16 mm

## FLAT T-SHAPED MOUNTING BRACKET

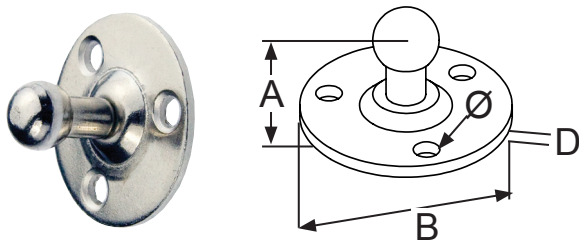


Material: Steel, Nickel Plated (NPL)

A	B	C	D	Ø	Item No.
14 mm	46 mm	31,5 mm	2 mm	4,5 mm	# 15.11.462

Incl. 2 Nickel plated wood screws, PZD, Ø 3,5 x 16 mm

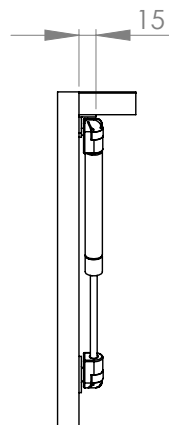
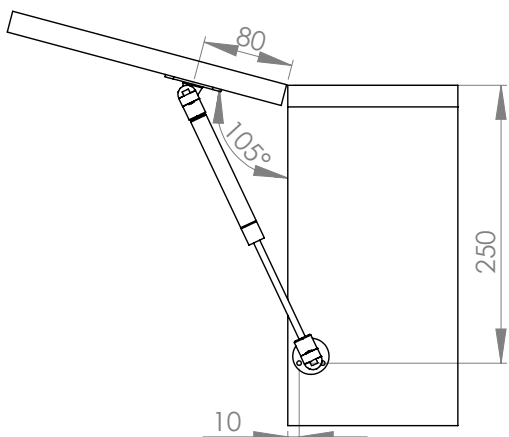
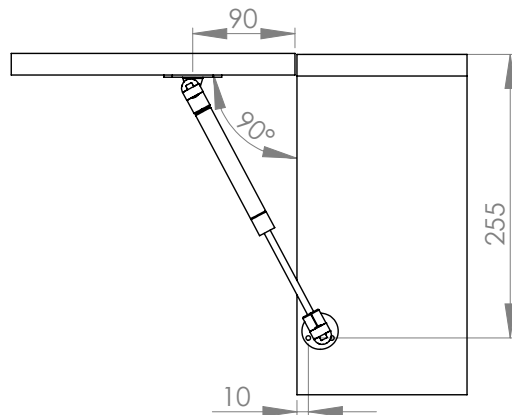
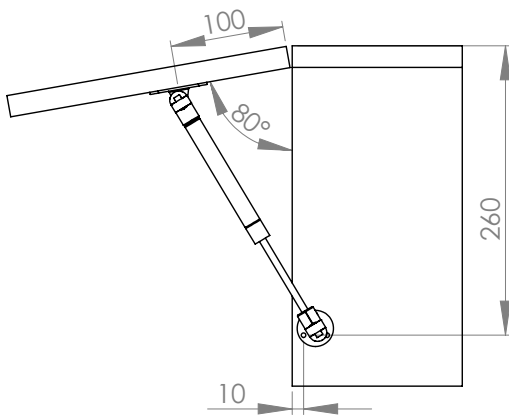
## ROUND MOUNTING BRACKET



Material: Steel, Nickel Plated (NPL)

A	B	D	Ø	Item No.
16 mm	31 mm	2 mm	4 mm	#15.11.454

Incl. 3 Nickel plated wood screws, PZD, Ø 3,5 x 16 mm



SISO A/S

Mileparken 11 Phone: (+45) 45 830 900  
 DK - 2740 Skovlunde Fax: (+45) 45 830 444  
 (Copenhagen) E-mail: siso@siso.dk  
 Denmark Web: www.siso.dk