

SISO HINGES



- high quality furniture fittings





- high quality furniture fittings

SISIO A/S
MILEPARKEN 11
DK - 2740 SKOVLUNDE
(COPENHAGEN)
DENMARK
PHONE: (+45) 45 830 900
FAX: (+45) 45 830 444

DISTRIBUTOR

Content

Cabinet hinges for wood



Cup hinges - 2-way	4-13
Cup hinges - soft close	14-17
Door dampers & touch latches	18-19
Hinges with visible axle	20-21
Butt & flap hinge	22-24
Flush & pin hinge	25

Cabinet hinges for alu frames



Hinges – soft close	26-27
---------------------	-------

Cabinet hinges for glass



Cup hinges - 2-way	28-29
Cup hinges - soft close	30-33
Hinges for drilling	34-35
Hinges “no drilling”	36-39
Hinges for UV-glue	40-41

Table hinges



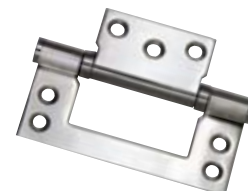
Concealed hinges	42-46
Butler’s tray hinges	47

Caravan hinges



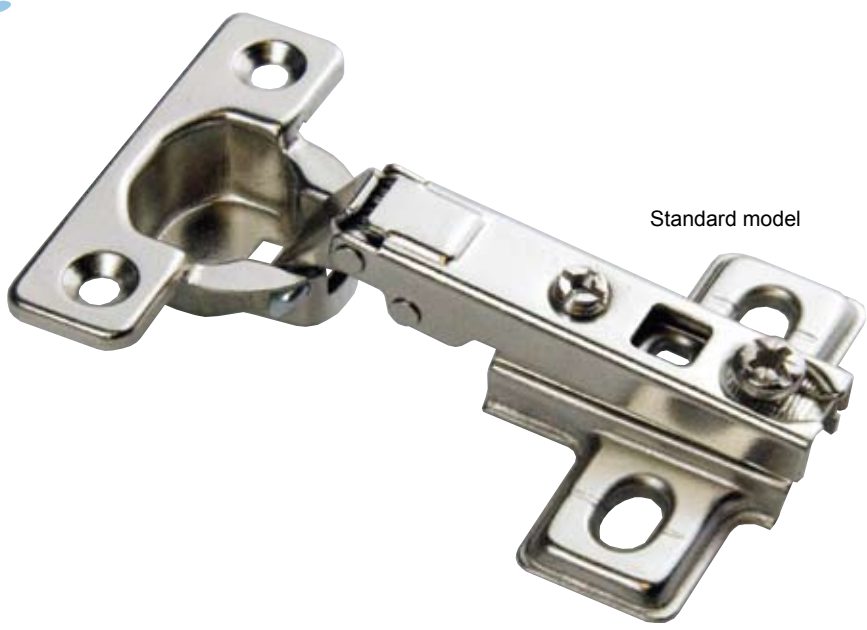
48

Door hinges (heavy duty)

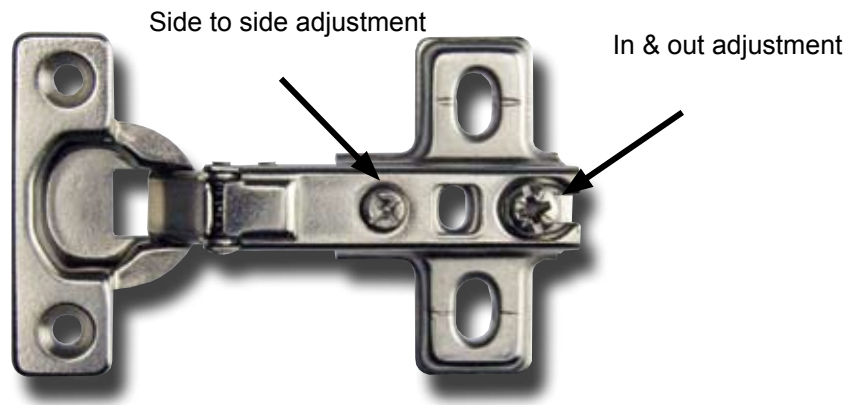


49-51

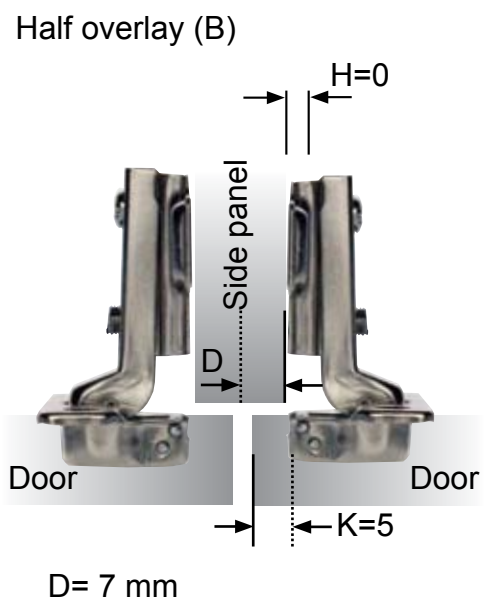
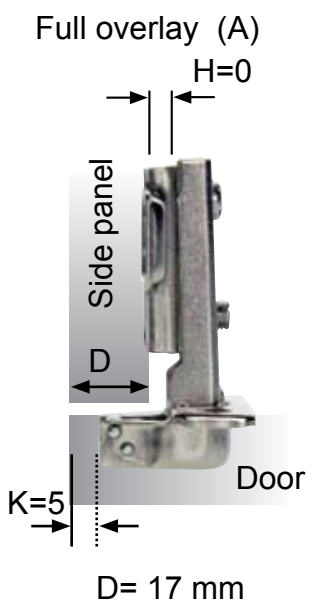
MINI HINGE Ø 26 MM -98°



**2-WAY
SLIDE-ON
FI 12-22 MM PANEL
Ø26 MM CUP**

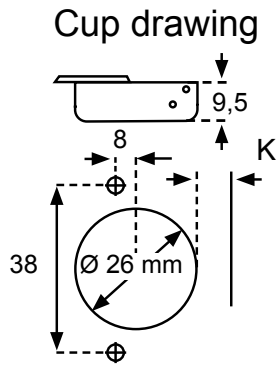


- H = height of mounting plate
- D = required door overlay
- K = drilling distance from the edge of door to the edge of the cup hole
- A = gap between door and sidepanel



MINI HINGE Ø 26 MM -98°

- high quality furniture fittings



Opening angle:	98°
Depth of hinge cup:	9,5 mm
Diameter of hinge cup:	26 mm
Mounting of hinge: Screw on:	c.c.38 mm
Possible drilling distances on the door (K):	3-6 mm
Door thickness:	12-22 mm

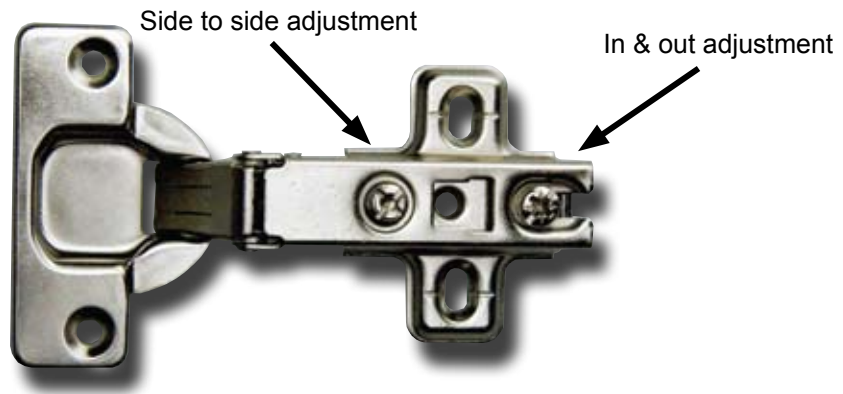
Steel - Nickel Plated		Item No.	D: Overlay calculations	A: Gap calculations																							
Full overlay (A) 		15.02.640 Incl. mounting plate H = 0 SISO logo in cup	<table border="1"> <tr> <th>D \ K</th> <th>3</th> <th>4</th> <th>5</th> <th>6</th> </tr> <tr> <th>0</th> <td>15</td> <td>16</td> <td>17</td> <td>18</td> </tr> <tr> <th>2</th> <td>13</td> <td>14</td> <td>15</td> <td>16</td> </tr> <tr> <th>4</th> <td>11</td> <td>12</td> <td>13</td> <td>14</td> </tr> </table>	D \ K	3	4	5	6	0	15	16	17	18	2	13	14	15	16	4	11	12	13	14				
D \ K	3	4	5	6																							
0	15	16	17	18																							
2	13	14	15	16																							
4	11	12	13	14																							
Half overlay (B) 		15.02.641 Incl. mounting plate H = 0 SISO logo in cup	<table border="1"> <tr> <th>D \ K</th> <th>3</th> <th>4</th> <th>5</th> <th>6</th> </tr> <tr> <th>0</th> <td>5</td> <td>6</td> <td>7</td> <td>8</td> </tr> <tr> <th>2</th> <td>3</td> <td>4</td> <td>5</td> <td>6</td> </tr> <tr> <th>4</th> <td>1</td> <td>2</td> <td>3</td> <td>4</td> </tr> </table>	D \ K	3	4	5	6	0	5	6	7	8	2	3	4	5	6	4	1	2	3	4				
D \ K	3	4	5	6																							
0	5	6	7	8																							
2	3	4	5	6																							
4	1	2	3	4																							
Inset (C) 		15.02.642 Incl. mounting plate H = 2 SISO logo in cup	<table border="1"> <tr> <th>A \ K</th> <th>3</th> <th>4</th> <th>5</th> <th>6</th> </tr> <tr> <th>0</th> <td>1</td> <td>0</td> <td>-1</td> <td>-2</td> </tr> <tr> <th>2</th> <td>3</td> <td>2</td> <td>1</td> <td>0</td> </tr> <tr> <th>4</th> <td>1</td> <td>2</td> <td>3</td> <td>4</td> </tr> </table>	A \ K	3	4	5	6	0	1	0	-1	-2	2	3	2	1	0	4	1	2	3	4				
A \ K	3	4	5	6																							
0	1	0	-1	-2																							
2	3	2	1	0																							
4	1	2	3	4																							
		H = 0/2 f/chipboard screws Clip-on	Delivered as standard mounting plate with all hinges. Chipboard screws to be ordered separately.																								
		15.03.726 H = 2 f/euro screws Clip-on	To be ordered separately if euro screw mounting is wanted. Pre-mounted euro screws included.																								

MAXI HINGE Ø35 MM - 110° - 2-WAY

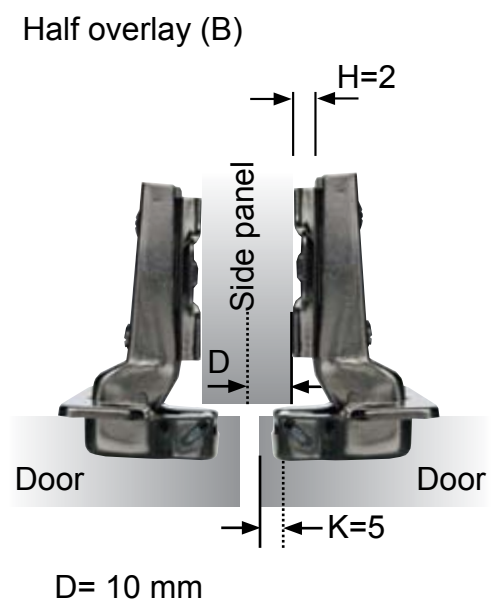
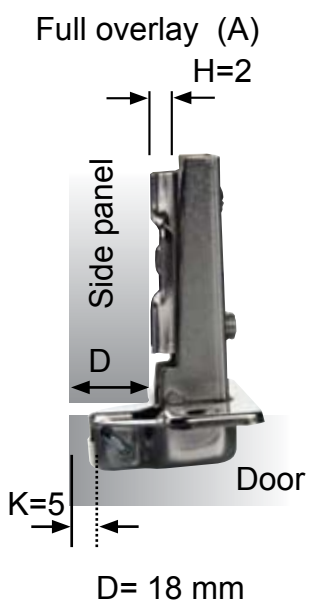


Standard model

**2-WAY
Slide-on
FI 14-24 MM PANEL
Ø35 MM CUP**



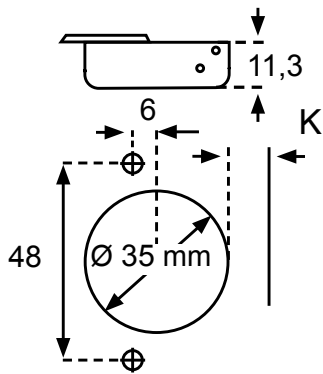
- H = height of mounting plate
- D = required door overlay
- K = drilling distance from the edge of door to the edge of the cup hole
- A = gap between door and sidepanel




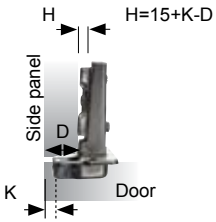

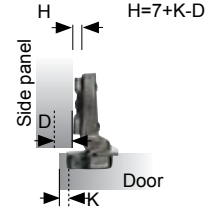

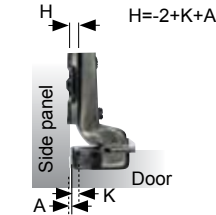

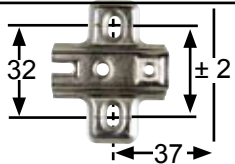

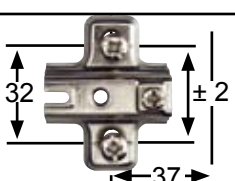
MAXI HINGE Ø35 MM - 110° - 2-WAY

- high quality furniture fittings

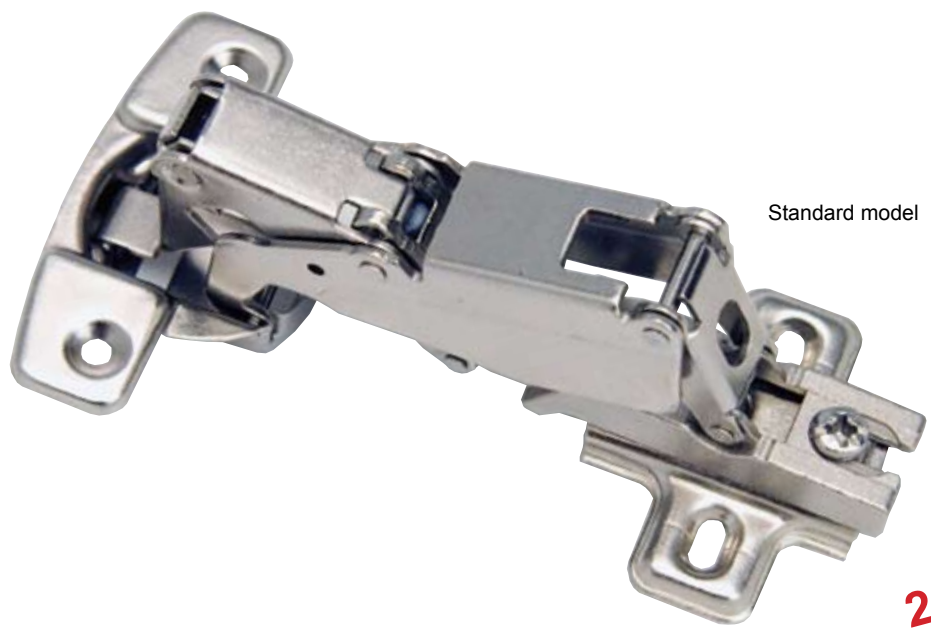
Cup drawing



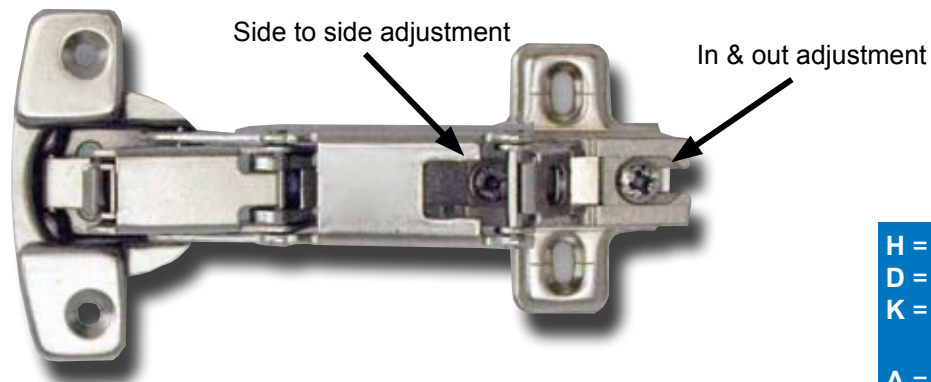
Opening angle: 110°
 Depth of hinge cup: 11,3 mm
 Diameter of hinge cup: 35 mm
 Mounting of hinge: Screw on: c.c.48 mm
 Possible drilling distances on the door (K): 3-7 mm
 Door thickness: 14-24 mm

Steel - Nickel Plated		Item No.	D: Overlay calculations	A: Gap calculations																												
Full overlay (A) 		15.03.670 Incl. mounting plate H = 2 SISO logo in cup	<table border="1"> <tr> <th>D \ K</th> <th>3</th> <th>4</th> <th>5</th> <th>6</th> <th>7</th> </tr> <tr> <th>0</th> <td>18</td> <td>19</td> <td>20</td> <td>21</td> <td>22</td> </tr> <tr> <th>2</th> <td>16</td> <td>17</td> <td>18</td> <td>19</td> <td>20</td> </tr> <tr> <th>4</th> <td>14</td> <td>15</td> <td>16</td> <td>17</td> <td>18</td> </tr> </table>	D \ K	3	4	5	6	7	0	18	19	20	21	22	2	16	17	18	19	20	4	14	15	16	17	18					
D \ K	3	4	5	6	7																											
0	18	19	20	21	22																											
2	16	17	18	19	20																											
4	14	15	16	17	18																											
Half overlay (B) 		15.03.675 Incl. mounting plate H = 2 SISO logo in cup	<table border="1"> <tr> <th>D \ K</th> <th>3</th> <th>4</th> <th>5</th> <th>6</th> <th>7</th> </tr> <tr> <th>0</th> <td>10</td> <td>11</td> <td>12</td> <td>13</td> <td>14</td> </tr> <tr> <th>2</th> <td>8</td> <td>9</td> <td>10</td> <td>11</td> <td>12</td> </tr> <tr> <th>4</th> <td>6</td> <td>7</td> <td>8</td> <td>9</td> <td>10</td> </tr> </table>	D \ K	3	4	5	6	7	0	10	11	12	13	14	2	8	9	10	11	12	4	6	7	8	9	10					
D \ K	3	4	5	6	7																											
0	10	11	12	13	14																											
2	8	9	10	11	12																											
4	6	7	8	9	10																											
Inset (C) 		15.03.680 Incl. mounting plate H = 4 SISO logo in cup	<table border="1"> <tr> <th>A \ K</th> <th>3</th> <th>4</th> <th>5</th> <th>6</th> <th>7</th> </tr> <tr> <th>0</th> <td>-1</td> <td>-2</td> <td>-3</td> <td>-4</td> <td>-5</td> </tr> <tr> <th>2</th> <td>1</td> <td>0</td> <td>-1</td> <td>-2</td> <td>-3</td> </tr> <tr> <th>4</th> <td>3</td> <td>2</td> <td>1</td> <td>0</td> <td>-1</td> </tr> </table>	A \ K	3	4	5	6	7	0	-1	-2	-3	-4	-5	2	1	0	-1	-2	-3	4	3	2	1	0	-1					
A \ K	3	4	5	6	7																											
0	-1	-2	-3	-4	-5																											
2	1	0	-1	-2	-3																											
4	3	2	1	0	-1																											
		H = 2/4 f/chipboard screws Slide-on	Delivered as standard mounting plate with all hinges. Chipboard screws to be ordered separately.																													
		15.03.726 H = 2 f/euro screws Slide-on	To be ordered separately if euro screw mounting is wanted. Pre-mounted euro screws included.																													

MAXI HINGE Ø35 MM - 165° - 2-WAY

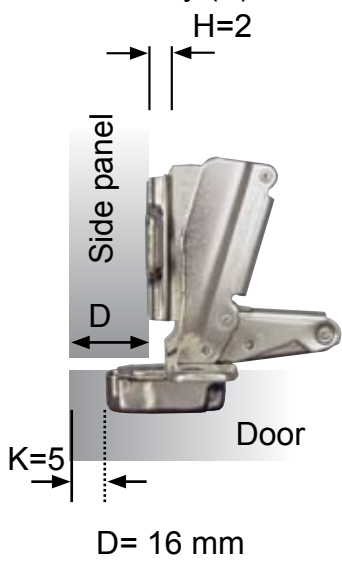


**2-WAY
Slide-on
FI 14-24 MM PANEL
Ø 35 MM**

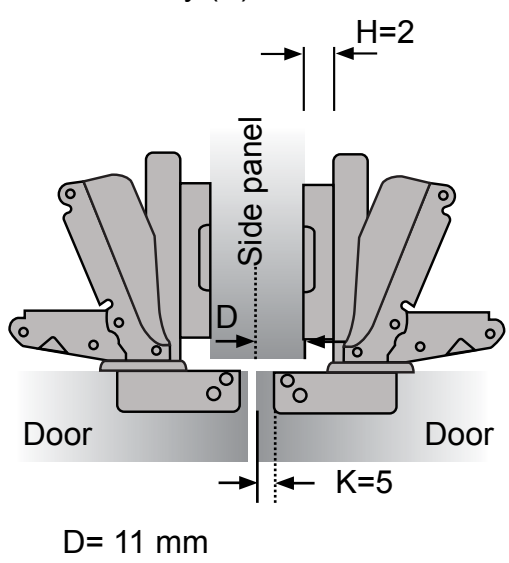


- H = height of mounting plate
- D = required door overlay
- K = drilling distance from the edge of door to the edge of the cup hole
- A = gap between door and sidepanel

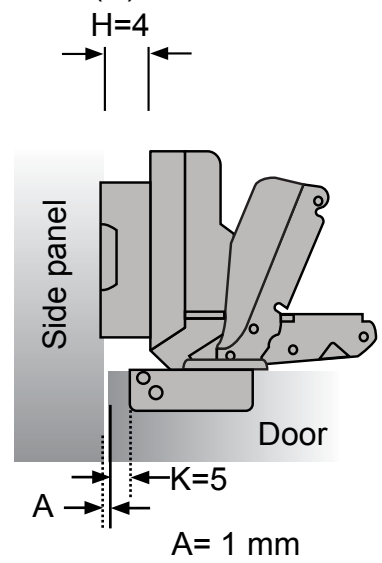
Full overlay (A)



Half overlay (B)



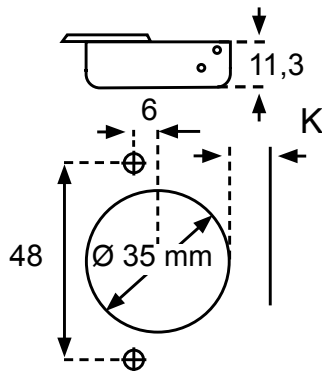
Inset (C)



MAXI HINGE Ø35 MM - 165° - 2-WAY

- high quality furniture fittings

Cup drawing



Opening angle:	165°
Depth of hinge cup:	11,3 mm
Diameter of hinge cup:	35 mm
Mounting of hinge: Screw on:	c.c.48 mm
Possible drilling distances on the door (K):	3-7 mm
Door thickness:	14-24 mm

Steel - Nickel Plated		Item No.	D: Overlay calculations	A: Gap calculations																												
Full overlay (A) 		15.03.681 Incl. mounting plate H = 2 SISO logo in cup	<table border="1"> <tr> <th>D \ K</th> <th>3</th> <th>4</th> <th>5</th> <th>6</th> <th>7</th> </tr> <tr> <th>0</th> <td>16</td> <td>17</td> <td>18</td> <td>19</td> <td>20</td> </tr> <tr> <th>2</th> <td>14</td> <td>15</td> <td>16</td> <td>17</td> <td>18</td> </tr> <tr> <th>4</th> <td>12</td> <td>13</td> <td>14</td> <td>15</td> <td>16</td> </tr> </table>	D \ K	3	4	5	6	7	0	16	17	18	19	20	2	14	15	16	17	18	4	12	13	14	15	16					
D \ K	3	4	5	6	7																											
0	16	17	18	19	20																											
2	14	15	16	17	18																											
4	12	13	14	15	16																											
Half overlay (B) NO STOCK ITEM		15.03.682 Incl. mounting plate H = 2 SISO logo in cup	<table border="1"> <tr> <th>D \ K</th> <th>3</th> <th>4</th> <th>5</th> <th>6</th> <th>7</th> </tr> <tr> <th>0</th> <td>11</td> <td>12</td> <td>13</td> <td>14</td> <td>15</td> </tr> <tr> <th>2</th> <td>9</td> <td>10</td> <td>11</td> <td>12</td> <td>13</td> </tr> <tr> <th>4</th> <td>7</td> <td>8</td> <td>9</td> <td>10</td> <td>11</td> </tr> </table>	D \ K	3	4	5	6	7	0	11	12	13	14	15	2	9	10	11	12	13	4	7	8	9	10	11					
D \ K	3	4	5	6	7																											
0	11	12	13	14	15																											
2	9	10	11	12	13																											
4	7	8	9	10	11																											
Inset (C) NO STOCK ITEM		15.03.683 Incl. mounting plate H = 4 SISO logo in cup	<table border="1"> <tr> <th>A \ K</th> <th>3</th> <th>4</th> <th>5</th> <th>6</th> <th>7</th> </tr> <tr> <th>0</th> <td>-1</td> <td>-2</td> <td>-3</td> <td>-4</td> <td>-,5</td> </tr> <tr> <th>2</th> <td>1</td> <td>0</td> <td>-1</td> <td>-2</td> <td>-3</td> </tr> <tr> <th>4</th> <td>3</td> <td>2</td> <td>1</td> <td>0</td> <td>-1</td> </tr> </table>	A \ K	3	4	5	6	7	0	-1	-2	-3	-4	-,5	2	1	0	-1	-2	-3	4	3	2	1	0	-1					
A \ K	3	4	5	6	7																											
0	-1	-2	-3	-4	-,5																											
2	1	0	-1	-2	-3																											
4	3	2	1	0	-1																											
		H = 2/4 f/chipboard screws Slide-on	Delivered as standard mounting plate with all hinges. Chipboard screws to be ordered separately.																													
		15.03.726 H = 2 f/euro screws Slide-on	To be ordered separately if euro screw mounting is wanted. Pre-mounted euro screws included.																													

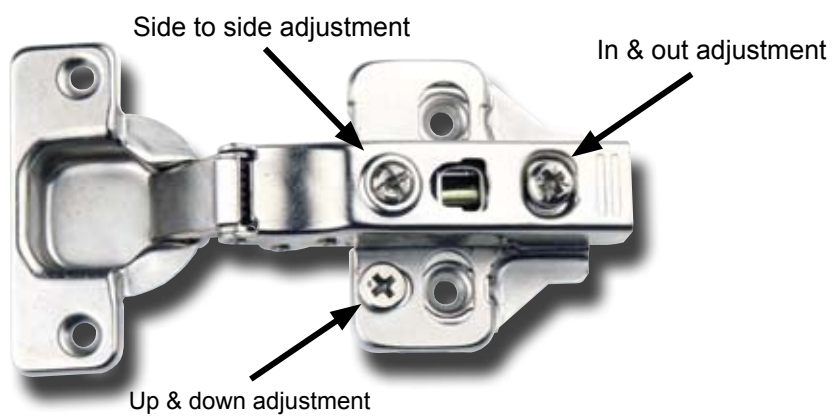
MAXI HINGE Ø 35 MM -100°

Standard model



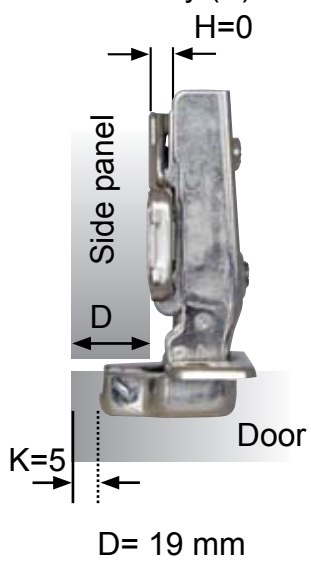
**2-WAY
CLIP-ON
F/ 14-24 MM PANEL
Ø 35 MM**

Hinge w/mounting plate f/easy up & down adjustment (optional)

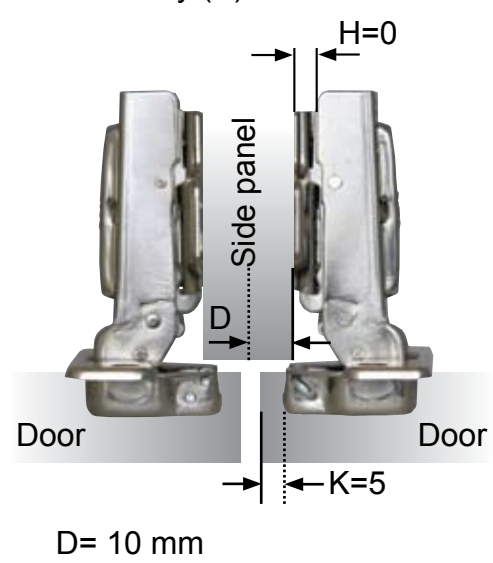


- H =** height of mounting plate
- D =** required door overlay
- K =** drilling distance from the edge of door to the edge of the cup hole
- A =** gap between door and sidepanel

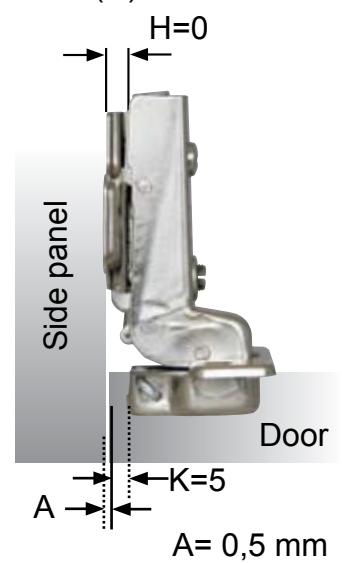
Full overlay (A)



Half overlay (B)



Inset (C)

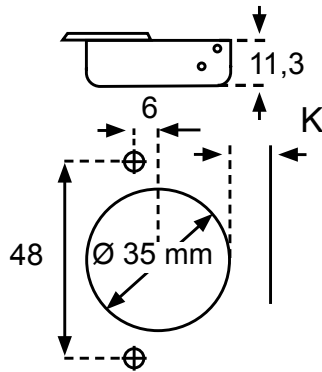


MAXI HINGE Ø 35 MM -100°


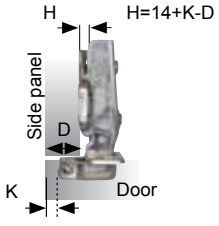

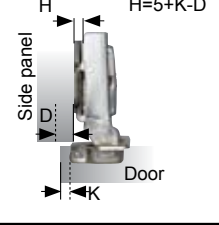

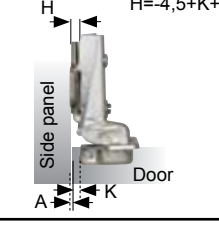

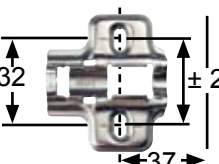

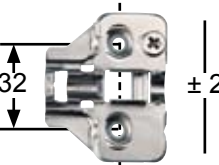
- high quality furniture fittings



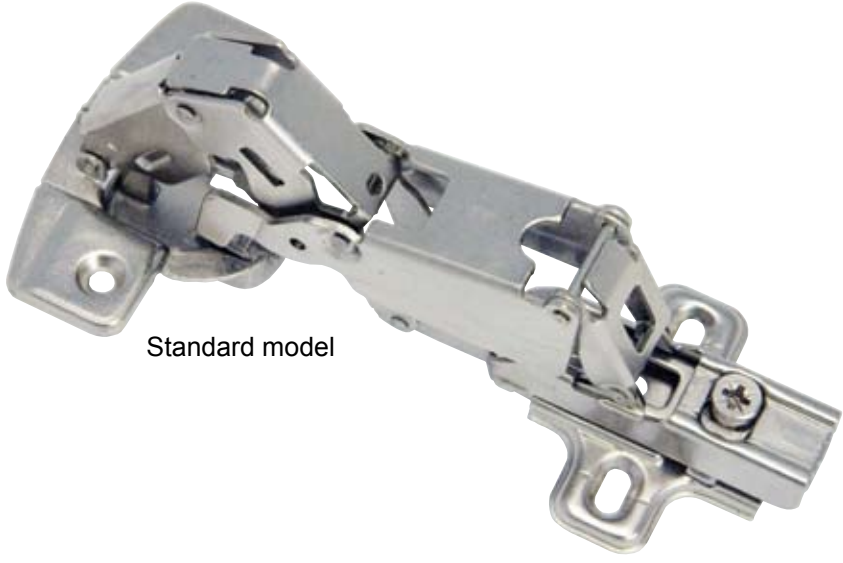
Cup drawing



Opening angle:	100°
Depth of hinge cup:	11,3 mm
Diameter of hinge cup:	35 mm
Mounting of hinge: Screw on:	c.c.48 mm
Possible drilling distances on the door (K):	3-7 mm
Door thickness:	14- 24 mm.

Steel - Nickel Plated		Item No.	D: Overlay calculations	A: Gap calculations																												
Full overlay (A) 		15.03.735 Incl. SISO name plate + mounting plate H = 0	<table border="1"> <tr> <th>D \ K</th> <th>3</th> <th>4</th> <th>5</th> <th>6</th> <th>7</th> </tr> <tr> <th>0</th> <td>17</td> <td>18</td> <td>19</td> <td>20</td> <td>21</td> </tr> <tr> <th>2</th> <td>15</td> <td>16</td> <td>17</td> <td>18</td> <td>19</td> </tr> <tr> <th>4</th> <td>13</td> <td>14</td> <td>15</td> <td>16</td> <td>17</td> </tr> </table>	D \ K	3	4	5	6	7	0	17	18	19	20	21	2	15	16	17	18	19	4	13	14	15	16	17					
D \ K	3	4	5	6	7																											
0	17	18	19	20	21																											
2	15	16	17	18	19																											
4	13	14	15	16	17																											
Half overlay (B) 		15.03.736 Incl. SISO name plate + mounting plate H = 0	<table border="1"> <tr> <th>D \ K</th> <th>3</th> <th>4</th> <th>5</th> <th>6</th> <th>7</th> </tr> <tr> <th>0</th> <td>8</td> <td>9</td> <td>10</td> <td>11</td> <td>12</td> </tr> <tr> <th>2</th> <td>6</td> <td>7</td> <td>8</td> <td>9</td> <td>10</td> </tr> <tr> <th>4</th> <td>4</td> <td>5</td> <td>6</td> <td>7</td> <td>8</td> </tr> </table>	D \ K	3	4	5	6	7	0	8	9	10	11	12	2	6	7	8	9	10	4	4	5	6	7	8					
D \ K	3	4	5	6	7																											
0	8	9	10	11	12																											
2	6	7	8	9	10																											
4	4	5	6	7	8																											
Inset (C) 		15.03.737 Incl. SISO name plate + mounting plate H = 0	<table border="1"> <tr> <th>A \ K</th> <th>3</th> <th>4</th> <th>5</th> <th>6</th> <th>7</th> </tr> <tr> <th>0</th> <td>1,5</td> <td>0,5</td> <td>0,5</td> <td>-1,5</td> <td>-2,5</td> </tr> <tr> <th>2</th> <td>3,5</td> <td>2,5</td> <td>1,5</td> <td>0,5</td> <td>-0,5</td> </tr> <tr> <th>4</th> <td>5,5</td> <td>4,5</td> <td>3,5</td> <td>2,5</td> <td>1,5</td> </tr> </table>	A \ K	3	4	5	6	7	0	1,5	0,5	0,5	-1,5	-2,5	2	3,5	2,5	1,5	0,5	-0,5	4	5,5	4,5	3,5	2,5	1,5					
A \ K	3	4	5	6	7																											
0	1,5	0,5	0,5	-1,5	-2,5																											
2	3,5	2,5	1,5	0,5	-0,5																											
4	5,5	4,5	3,5	2,5	1,5																											
		H = 0 f/chipboard screws Clip-on	Delivered as standard mounting plate with all hinges. Chipboard screws to be ordered separately.																													
		15.03.728 H = 0 f/euro screws Clip-on	To be ordered separately if easy up & down adjustment is wanted. Pre-mounted euro screws included.																													

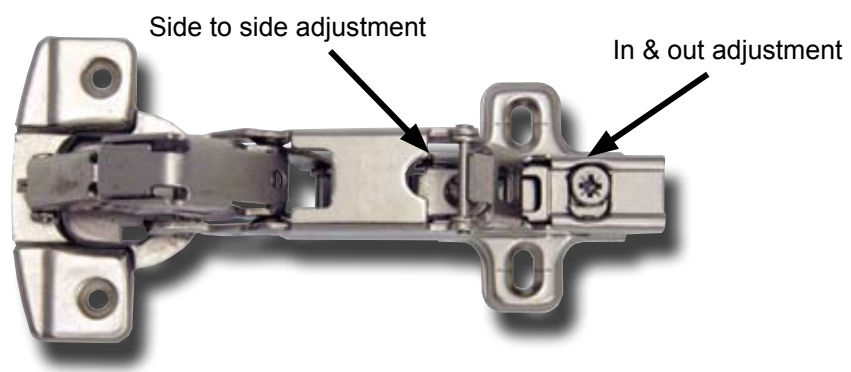
MAXI HINGE Ø 35 MM -165°



Standard model

**2-WAY
CLIP-ON
F/ 14-24 MM PANEL
Ø 35 MM**

Hinge w/mounting plate f/easy up & down adjustment (optional)

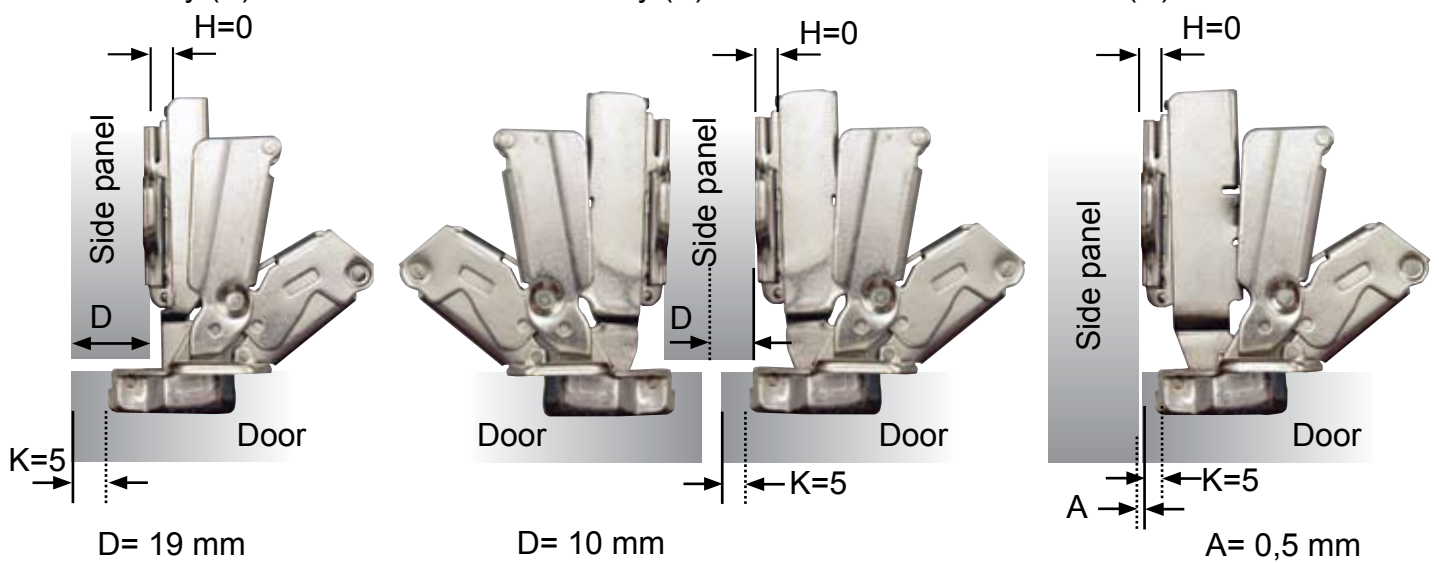


- H =** height of mounting plate
- D =** required door overlay
- K =** drilling distance from the edge of door to the edge of the cup hole
- A =** gap between door and sidepanel

Full overlay (A)

Half overlay (B)

Inset (C)

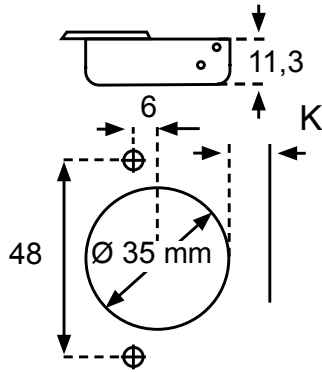


MAXI HINGE Ø 35 MM -165°

- high quality furniture fittings



Cup drawing



Opening angle:	165°
Depth of hinge cup:	11,3 mm
Diameter of hinge cup:	35 mm
Mounting of hinge: Screw on:	c.c.48 mm
Possible drilling distances on the door (K):	3-8 mm
Door thickness:	14- 26 mm.

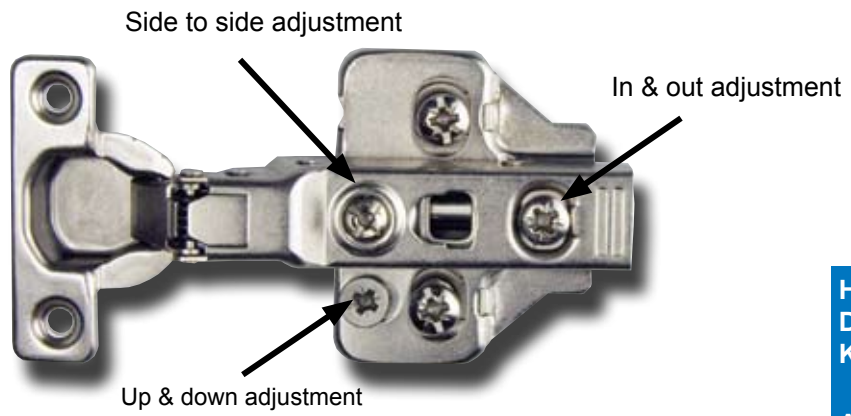
Steel - Nickel Plated		Item No.	D: Overlay calculations	A: Gap calculations																												
Full overlay (A) 		15.03.740 Incl. mounting plate H = 0	<table border="1"> <tr> <th>D \ K</th> <th>3</th> <th>4</th> <th>5</th> <th>6</th> <th>7</th> </tr> <tr> <th>0</th> <td>17</td> <td>18</td> <td>19</td> <td>20</td> <td>21</td> </tr> <tr> <th>2</th> <td>15</td> <td>16</td> <td>17</td> <td>18</td> <td>19</td> </tr> <tr> <th>4</th> <td>13</td> <td>14</td> <td>15</td> <td>16</td> <td>17</td> </tr> </table>	D \ K	3	4	5	6	7	0	17	18	19	20	21	2	15	16	17	18	19	4	13	14	15	16	17					
D \ K	3	4	5	6	7																											
0	17	18	19	20	21																											
2	15	16	17	18	19																											
4	13	14	15	16	17																											
Half overlay (B) 		15.03.741 Incl. mounting plate H = 0	<table border="1"> <tr> <th>D \ K</th> <th>3</th> <th>4</th> <th>5</th> <th>6</th> <th>7</th> </tr> <tr> <th>0</th> <td>8</td> <td>9</td> <td>10</td> <td>11</td> <td>12</td> </tr> <tr> <th>2</th> <td>6</td> <td>7</td> <td>8</td> <td>9</td> <td>10</td> </tr> <tr> <th>4</th> <td>4</td> <td>5</td> <td>6</td> <td>7</td> <td>8</td> </tr> </table>	D \ K	3	4	5	6	7	0	8	9	10	11	12	2	6	7	8	9	10	4	4	5	6	7	8					
D \ K	3	4	5	6	7																											
0	8	9	10	11	12																											
2	6	7	8	9	10																											
4	4	5	6	7	8																											
Inset (C) 		15.03.742 Incl. mounting plate H = 4	<table border="1"> <tr> <th>A \ K</th> <th>3</th> <th>4</th> <th>5</th> <th>6</th> <th>7</th> </tr> <tr> <th>0</th> <td>1,5</td> <td>0,5</td> <td>0,5</td> <td>-1,5</td> <td>-2,5</td> </tr> <tr> <th>2</th> <td>3,5</td> <td>2,5</td> <td>1,5</td> <td>0,5</td> <td>-0,5</td> </tr> <tr> <th>4</th> <td>5,5</td> <td>4,5</td> <td>3,5</td> <td>2,5</td> <td>1,5</td> </tr> </table>	A \ K	3	4	5	6	7	0	1,5	0,5	0,5	-1,5	-2,5	2	3,5	2,5	1,5	0,5	-0,5	4	5,5	4,5	3,5	2,5	1,5					
A \ K	3	4	5	6	7																											
0	1,5	0,5	0,5	-1,5	-2,5																											
2	3,5	2,5	1,5	0,5	-0,5																											
4	5,5	4,5	3,5	2,5	1,5																											
		H = 0 f/chipboard screws Clip-on	Delivered as standard mounting plate with all hinges. Chipboard screws to be ordered separately.																													
		15.03.728 H = 0 f/euro screws Clip-on	To be ordered separately if easy up & down adjustment is wanted. Pre-mounted euro screws included.																													

SOFT CLOSE MINI HINGE Ø 26 MM -100°



Hinge w/mounting plate f/easy up & down adjustment (optional)

**SOFT CLOSE
CLIP-ON
FI 12-22 MM PANEL
Ø 26 MM**

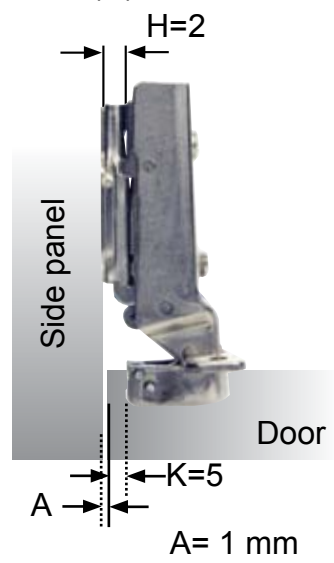
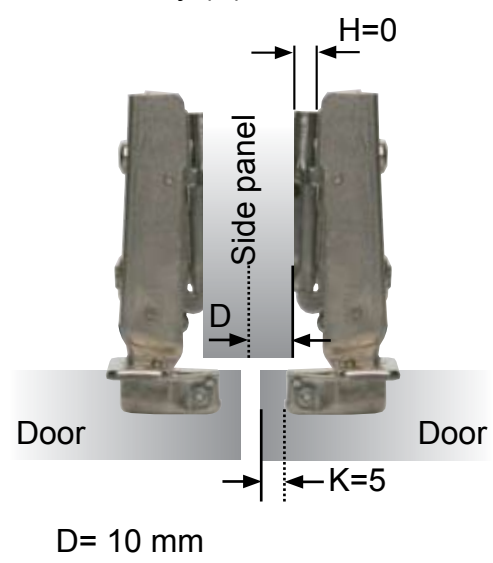
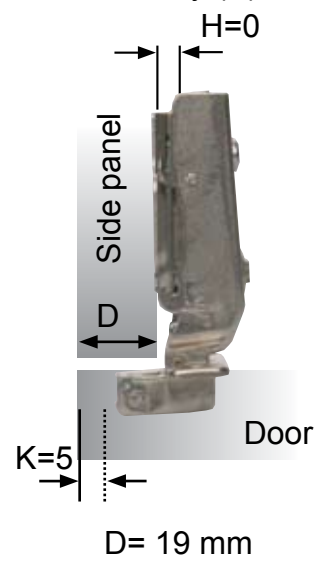


- H = height of mounting plate
- D = required door overlay
- K = drilling distance from the edge of door to the edge of the cup hole
- A = gap between door and sidepanel

Full overlay (A)

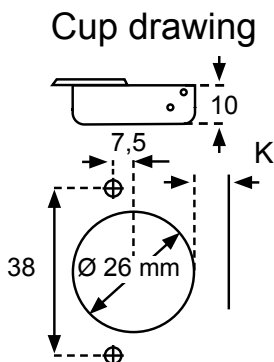
Half overlay (B)

Inset (C)



SOFT CLOSE MINI HINGE Ø 26 MM -100°

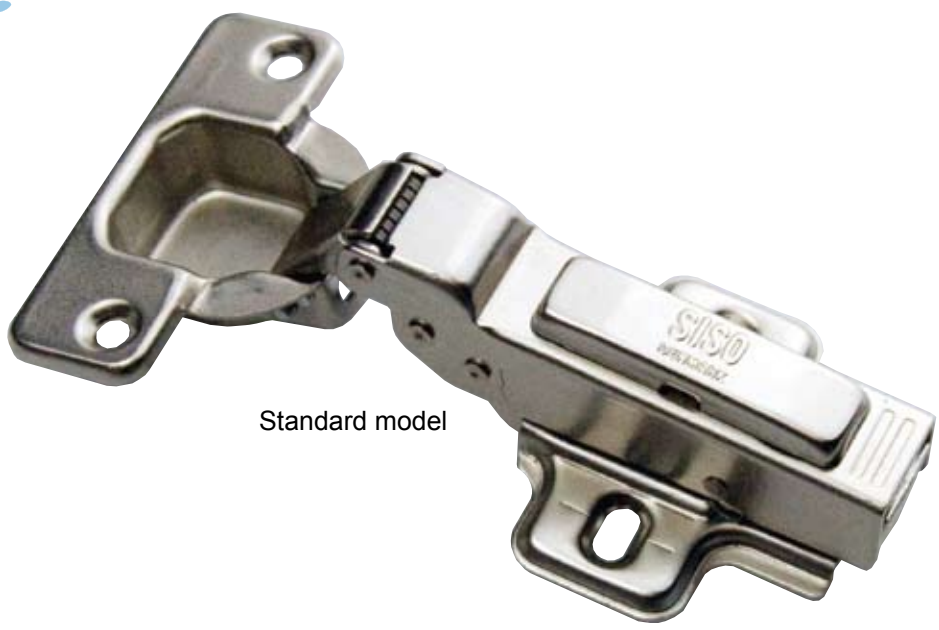
- high quality furniture fittings



Opening angle: 100°
 Depth of hinge cup: 10 mm
 Diameter of hinge cup: 26 mm
 Mounting of hinge: Screw on: c.c.38 mm
 Possible drilling distances on the door (K): 3-5 mm
 Door thickness: 12-22 mm

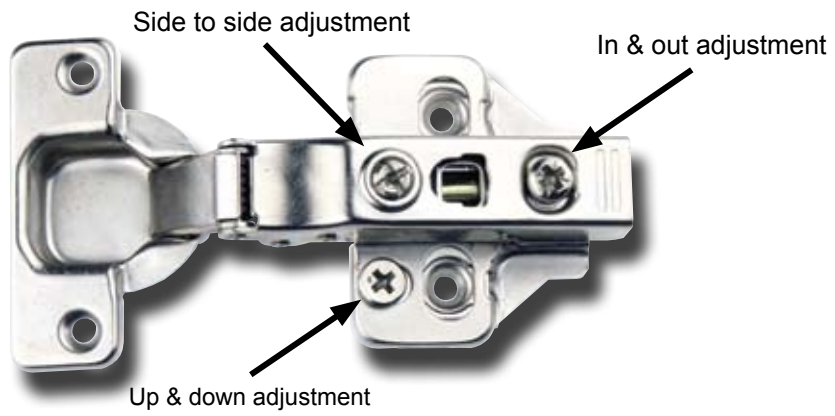
Steel - Nickel Plated		Item No.	D: Overlay calculations	A: Gap calculations																		
		15.02.650 Incl. SISO name plate + mounting plate H = 0	<table border="1"> <tr> <th>D \ K</th> <th>3</th> <th>4</th> <th>5</th> </tr> <tr> <th>0</th> <td>15,5</td> <td>16,5</td> <td>17,5</td> </tr> <tr> <th>2</th> <td>13,5</td> <td>14,5</td> <td>15,5</td> </tr> <tr> <th>4</th> <td>11,5</td> <td>12,5</td> <td>13,5</td> </tr> </table>	D \ K	3	4	5	0	15,5	16,5	17,5	2	13,5	14,5	15,5	4	11,5	12,5	13,5			
D \ K	3	4	5																			
0	15,5	16,5	17,5																			
2	13,5	14,5	15,5																			
4	11,5	12,5	13,5																			
		15.02.655 Incl. SISO name plate + mounting plate H = 0	<table border="1"> <tr> <th>D \ K</th> <th>3</th> <th>4</th> <th>5</th> </tr> <tr> <th>0</th> <td>6,5</td> <td>7,5</td> <td>8,7</td> </tr> <tr> <th>2</th> <td>4,5</td> <td>5,5</td> <td>6,5</td> </tr> <tr> <th>4</th> <td>2,5</td> <td>3,5</td> <td>4,5</td> </tr> </table>	D \ K	3	4	5	0	6,5	7,5	8,7	2	4,5	5,5	6,5	4	2,5	3,5	4,5			
D \ K	3	4	5																			
0	6,5	7,5	8,7																			
2	4,5	5,5	6,5																			
4	2,5	3,5	4,5																			
		15.02.660 Incl. SISO name plate + mounting plate H = 2	<table border="1"> <tr> <th>A \ K</th> <th>3</th> <th>4</th> <th>5</th> </tr> <tr> <th>0</th> <td>1</td> <td>0</td> <td>-1</td> </tr> <tr> <th>2</th> <td>3</td> <td>2</td> <td>1</td> </tr> </table>	A \ K	3	4	5	0	1	0	-1	2	3	2	1							
A \ K	3	4	5																			
0	1	0	-1																			
2	3	2	1																			
		H = 0/2 f/chipboard screws Clip-on	Delivered as standard mounting plate with all hinges. Chipboard screws to be ordered separately.																			
		15.03.728 H = 0 f/euro screws Clip-on	To be ordered separately if easy up & down adjustment is wanted. Pre-mounted euro screws included.																			

SOFT CLOSE MAXI HINGE Ø 35 MM -100°



Standard model

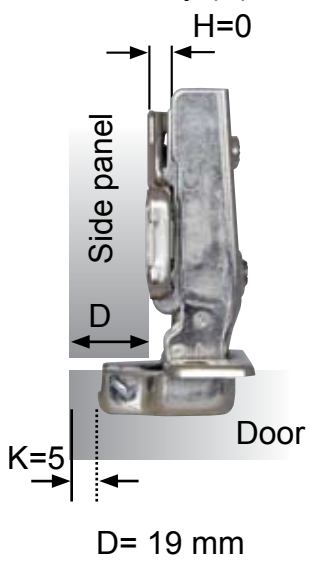
Hinge w/mounting plate f/easy up & down adjustment (optional)



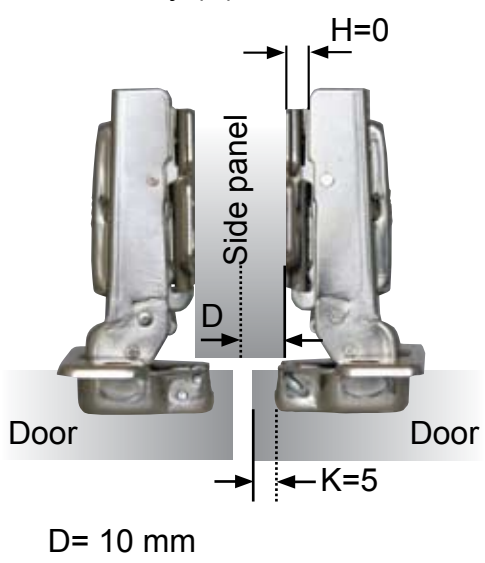
**SOFT CLOSE
CLIP-ON
FI 14-24 MM PANEL
Ø 35 MM**

- H =** height of mounting plate
- D =** required door overlay
- K =** drilling distance from the edge of door to the edge of the cup hole
- A =** gap between door and sidepanel

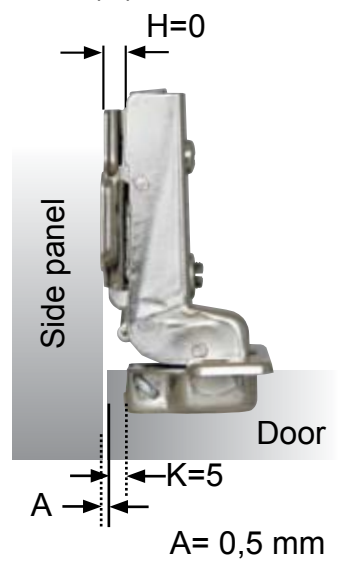
Full overlay (A)



Half overlay (B)



Inset (C)

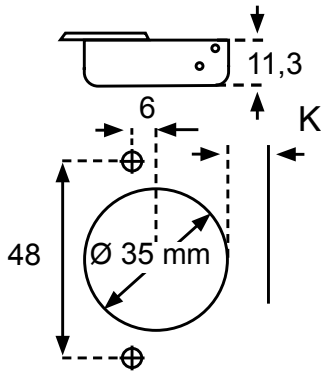


SOFT CLOSE MAXI HINGE Ø 35 MM -100°

- high quality furniture fittings



Cup drawing



Opening angle:	100°
Depth of hinge cup:	11,3 mm
Diameter of hinge cup:	35 mm
Mounting of hinge. Screw on:	c.c.48 mm
Possible drilling distances on the door (K):	3-7 mm
Door thickness:	14-24 mm

Steel - Nickel Plated		Item No.	D: Overlay calculations	A: Gap calculations																												
Full overlay (A) 		15.03.731 Incl. SISO name plate + mounting plate H = 0	<table border="1"> <tr> <th>D \ K</th> <th>3</th> <th>4</th> <th>5</th> <th>6</th> <th>7</th> </tr> <tr> <th>0</th> <td>17</td> <td>18</td> <td>19</td> <td>20</td> <td>21</td> </tr> <tr> <th>2</th> <td>15</td> <td>16</td> <td>17</td> <td>18</td> <td>19</td> </tr> <tr> <th>4</th> <td>13</td> <td>14</td> <td>15</td> <td>16</td> <td>17</td> </tr> </table>	D \ K	3	4	5	6	7	0	17	18	19	20	21	2	15	16	17	18	19	4	13	14	15	16	17					
D \ K	3	4	5	6	7																											
0	17	18	19	20	21																											
2	15	16	17	18	19																											
4	13	14	15	16	17																											
Half overlay (B) 		15.03.732 Incl. SISO name plate + mounting plate H = 0	<table border="1"> <tr> <th>D \ K</th> <th>3</th> <th>4</th> <th>5</th> <th>6</th> <th>7</th> </tr> <tr> <th>0</th> <td>8</td> <td>9</td> <td>10</td> <td>11</td> <td>12</td> </tr> <tr> <th>2</th> <td>6</td> <td>7</td> <td>8</td> <td>9</td> <td>10</td> </tr> <tr> <th>4</th> <td>4</td> <td>5</td> <td>6</td> <td>7</td> <td>8</td> </tr> </table>	D \ K	3	4	5	6	7	0	8	9	10	11	12	2	6	7	8	9	10	4	4	5	6	7	8					
D \ K	3	4	5	6	7																											
0	8	9	10	11	12																											
2	6	7	8	9	10																											
4	4	5	6	7	8																											
Inset (C) 		15.03.733 Incl. SISO name plate + mounting plate H = 0	<table border="1"> <tr> <th>A \ K</th> <th>3</th> <th>4</th> <th>5</th> <th>6</th> <th>7</th> </tr> <tr> <th>0</th> <td>1,5</td> <td>0,5</td> <td>0,5</td> <td>-1,5</td> <td>-2,5</td> </tr> <tr> <th>2</th> <td>3,5</td> <td>2,5</td> <td>1,5</td> <td>0,5</td> <td>-0,5</td> </tr> <tr> <th>4</th> <td>5,5</td> <td>4,5</td> <td>3,5</td> <td>2,5</td> <td>1,5</td> </tr> </table>	A \ K	3	4	5	6	7	0	1,5	0,5	0,5	-1,5	-2,5	2	3,5	2,5	1,5	0,5	-0,5	4	5,5	4,5	3,5	2,5	1,5					
A \ K	3	4	5	6	7																											
0	1,5	0,5	0,5	-1,5	-2,5																											
2	3,5	2,5	1,5	0,5	-0,5																											
4	5,5	4,5	3,5	2,5	1,5																											
		H = 0 f/chipboard screws Clip-on	Delivered as standard mounting plate with all hinges. Chipboard screws to be ordered separately.																													
		15.03.728 H = 0 f/euro screws Clip-on	To be ordered separately if easy up & down adjustment is wanted. Pre-mounted euro screws included.																													

DOOR DAMPERS

DOOR DAMPER "BLUES" FOR DRILLING

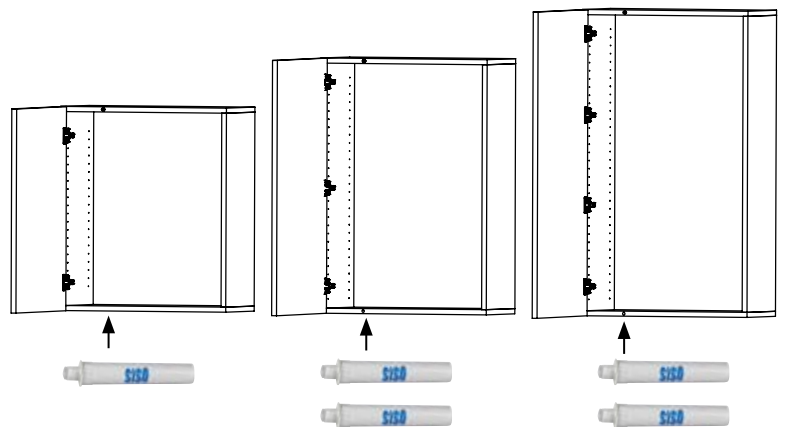
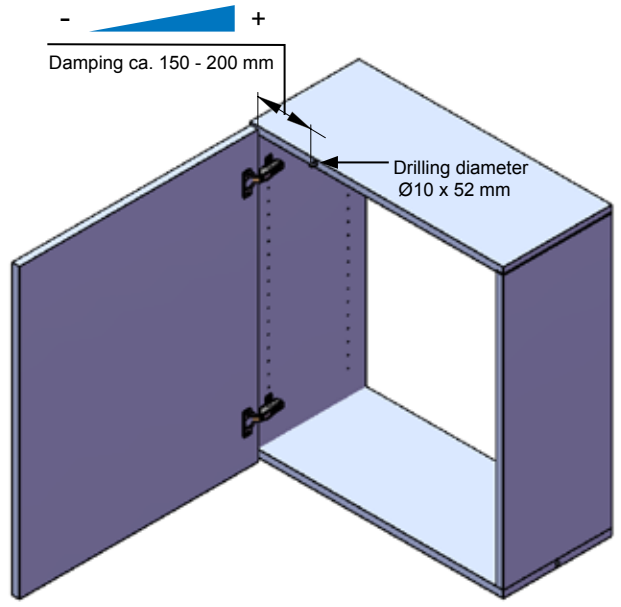
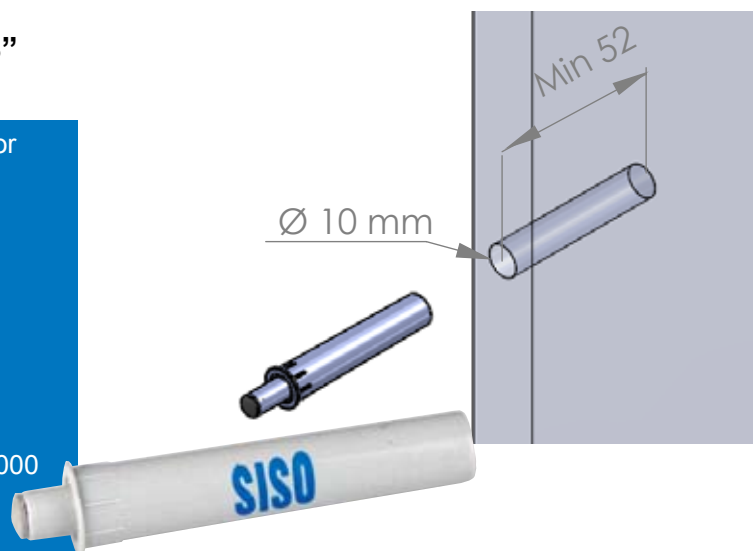
Application: Soft close damper for doors and drawers

Material: Grey ABS

Overall size: Ø 10 mm x 50 mm

Item No.: # 15.04.517

LGA tested in Germany. Passed 80.000 cycles



DOOR DAMPER BOX "BLUES" SCREW-ON

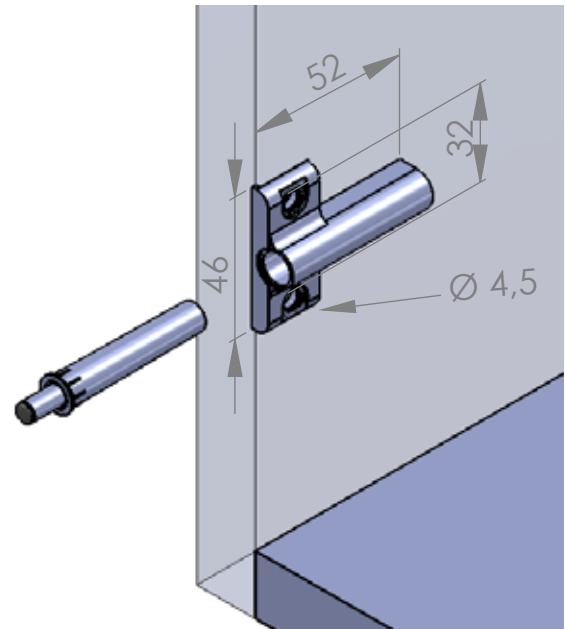
Application: Box for soft close damper

Material: Grey ABS

Overall size: 46 mm x 52 mm c.c. 32 mm

Item No.: # 15.04.516

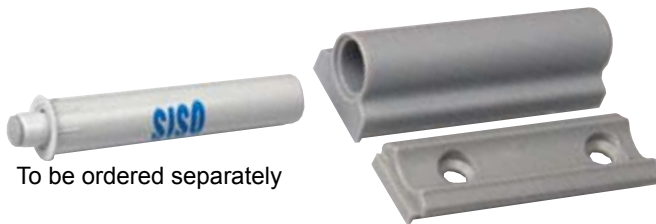
Damper and screws to be ordered separately



TOUCH LATCHES "PUSH-TO-OPEN"

- high quality furniture fittings

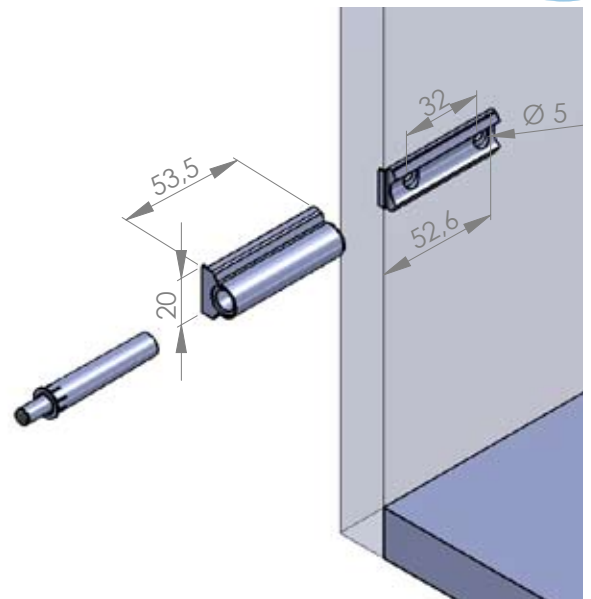
SISO DENMARK



To be ordered separately

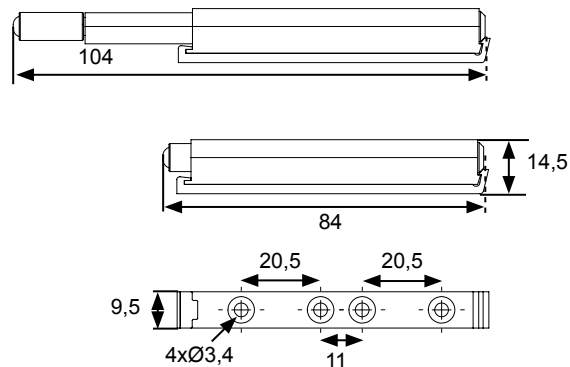
DOOR DAMPER BOX INVISIBLE "BLUES"

Application: Box for soft close damper
Material: Grey ABS
Overall size: 20 mm x 53,5 mm c.c. 32 mm
Item No.: # 15.04.515
 Damper and screws to be ordered separately



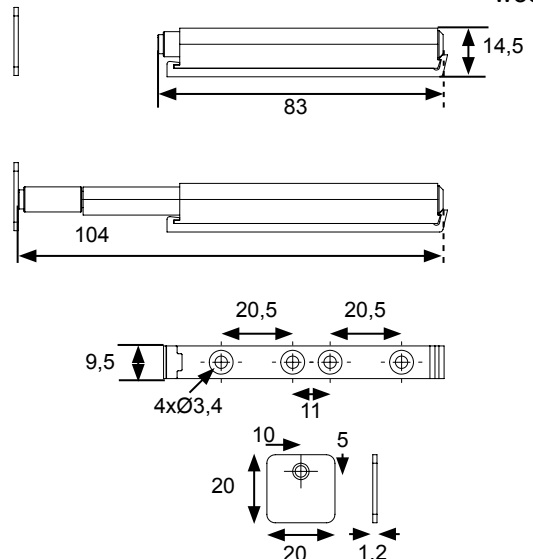
TOUCH LATCH "SLIM" W/SOFT BUMPER

Application: Push-to-open touch latch for doors and drawers
Material: Black ABS
Overall size: 84 mm x 14,5 mm
 Extended: 104 mm
Item No.: # 22.01.108
 Screws to be ordered separately



MAGNET TOUCH LATCH "SLIM" W/SOFT BUMPER

Application: Push-to-open touch latch for doors and drawers with magnet & striker. Suitable for wood & glass fronts
Material: Black ABS
Overall size: 83 mm x 14,5 mm
 Extended: 104 mm
Item No.: # 22.01.105
 Incl. Steel striker 20 x 20 mm with adhesive tape for glass fixing & screw hole for wood fixing
 Screws to be ordered separately



HINGES W/VISIBLE AXLE

WIDE OPENING HINGE - 270°

Application:

Wide opening hinge 270° opening for overlay doors. With catch function & visible axle.

Material: Zamak – Nickel plated

Cup wing:

Ø 35 x 12 mm. C.c: 45mm hole distance. Wood screw fixation. Ø 4 mm.

Mounting plate:

Clip-on. C.c: 32 mm hole distance. With vertical & lateral adjustment function. Wood screw fixation. Ø 4 mm.

Door thickness: 16 – 19 mm

F/16mm panels # 15.04.079

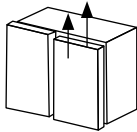
F/19mm panels # 15.04.081

Other finishes on request.



**CLIP-ON
F/ 16-19 MM PANEL
FULL-OVERLAY**

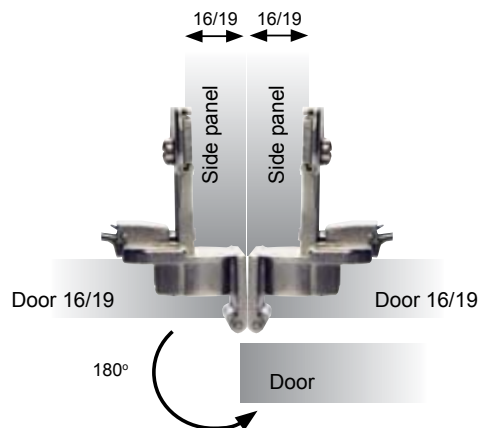
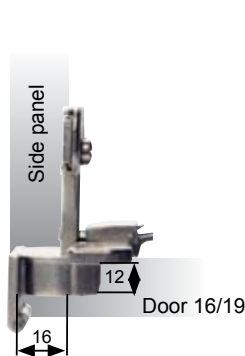
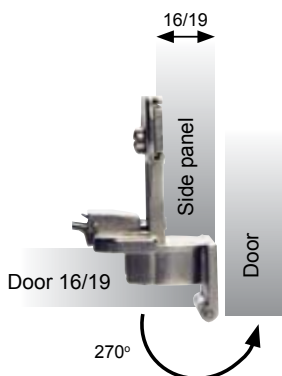
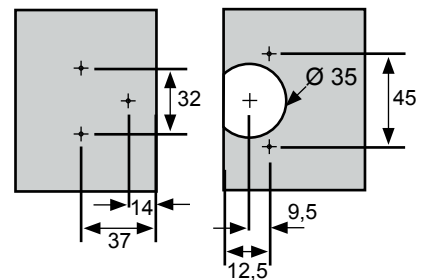
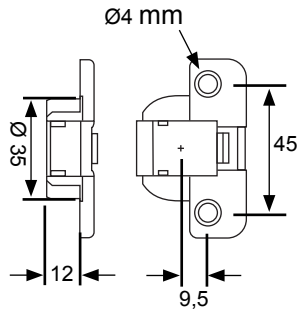
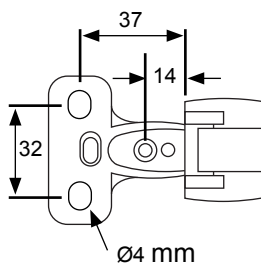
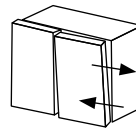
Set screw for vertical adjustment



Spring loaded catch

Clip-on release handle

Set screw for lateral adjustment



HINGES W/VISIBLE AXLE

- high quality furniture fittings



"FORTE" SELF-CLOSING HINGE

Application:
Antique style hinge with visible axle & catch function.

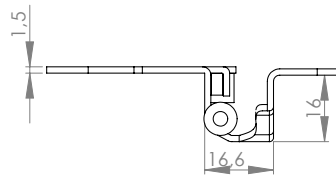
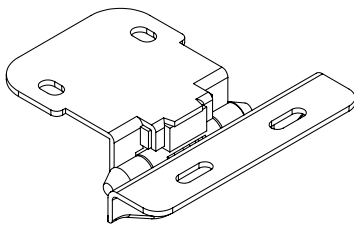
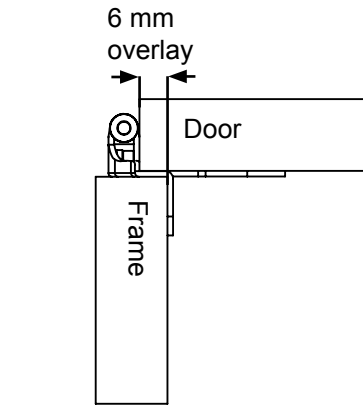
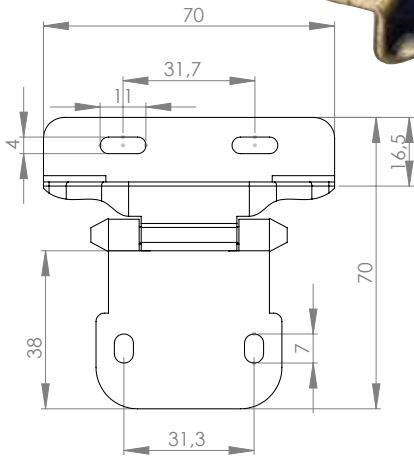
Material: Steel – Bronze plated

Overlay: 6 mm

Overall size: 70 mm x 70 mm

Item No.: # 15.90.011

Screws to be ordered separately



"VARIA" SELF-CLOSING HINGE

Application:
Antique style hinge with visible axle & catch function.

Material: Steel

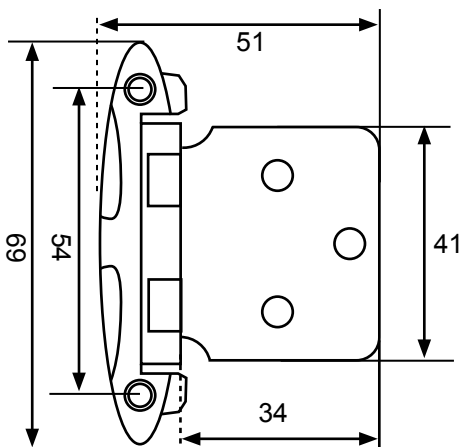
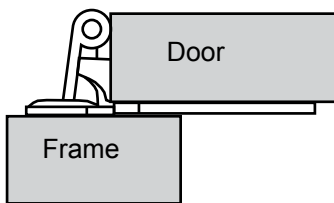
Overlay: Variable

Overall size: 51 mm x 69 mm

Item No.:

Brass Pl. # 15.90.009
Bronzed Pl. # 15.90.010

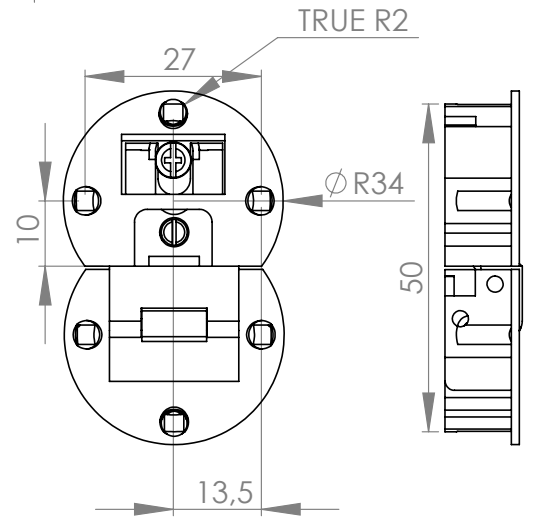
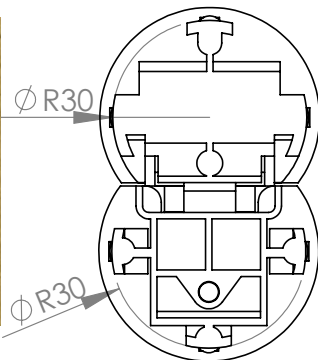
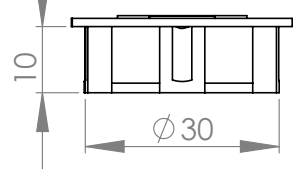
Screws to be ordered separately



FLAP HINGES

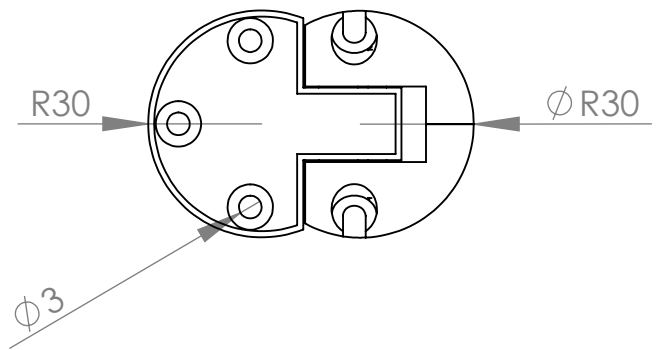
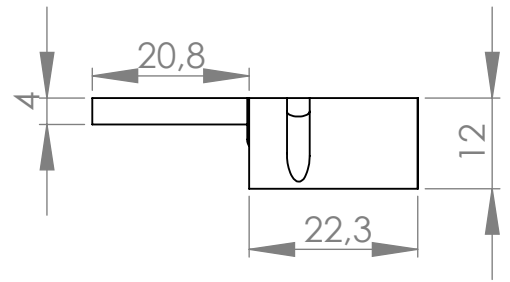
FLAP HINGE, Detachable

Material:	Zamak	
Finish:	Bronzed	# 15.09.077
	Nickel Plated	# 15.09.078
Size:	Ø 30 x 10 mm	
Opening:	90 degree	



FLAP HINGE, For thin flaps

Material:	Flap :	Zamak	
	House:	Plastic	
Size:	Ø 30 x 12 mm	(House)	
	Ø 30 x 4 mm	(Flap)	
Opening:	90 Degree		
Finish:	White/Nickel	# 15.09.105	
	Brown/Nickel	# 15.09.120	



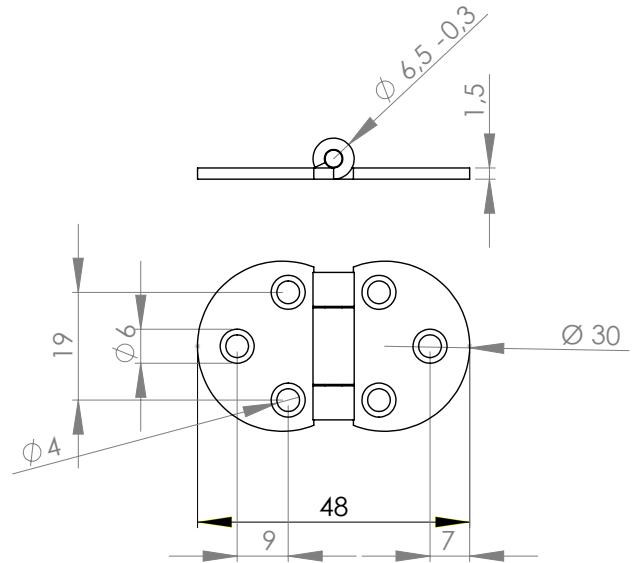
FLAP HINGES

- high quality furniture fittings



STEEL FLAP HINGES

Material:	Steel		
Size:	Ø 30 x 1,5 mm		
Holes:	Ø 4 mm		
Finish:	Brass Plated (BPL)	# 15.09.410	
	Bronzed	# 15.09.411	



BRASS & SS-316 FLAP HINGES

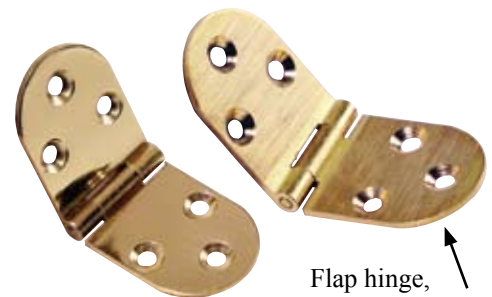
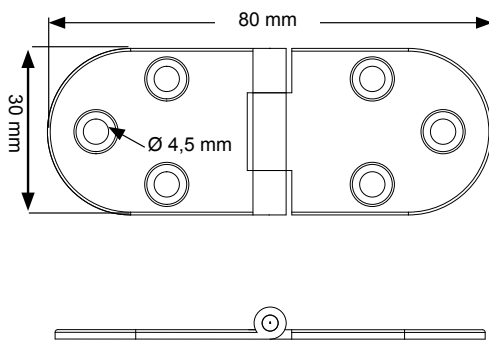
Material: Brass or Stainless Steel (SS) AISI 316

Screw holes: Ø 4,5 mm

Size	Material	Finish	Item No.
30 x 80 x 1,75 mm	Brass	Polished	15.11.220
30 x 80 x 1,75 mm	Brass	Sanded	15.11.230
30 x 80 x 2,00 mm	SS	Polished	15.11.190



Flap hinge,
Stainless Steel



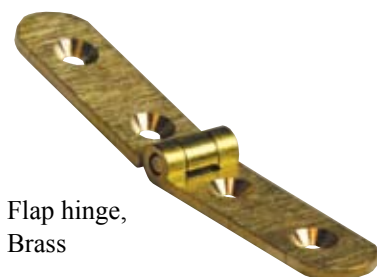
Flap hinge,
Polished Brass & Sanded

BRASS FLAP HINGE "SLIM"

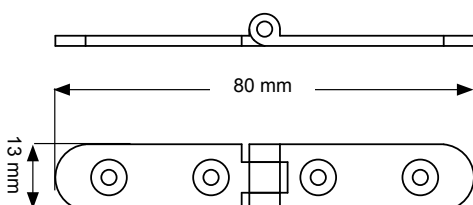
Material: Brass

Screw holes: Ø 3 mm

Size	Material	Finish	Item No.
13 x 80 x 1,75 mm	Brass	Sanded	15.11.215



Flap hinge,
Brass



BUTT HINGES

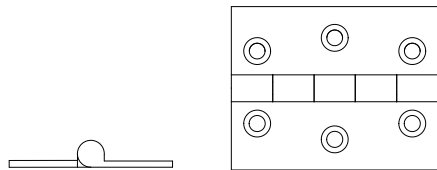
BRASS & SS-316 BUTT HINGES



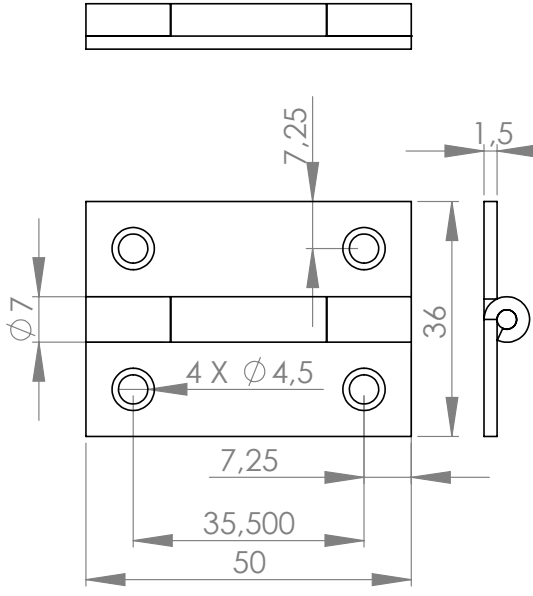
Material: Brass or Stainless Steel (SS) AISI 316

Screw holes: Ø 3,5 mm

Size	Material	Finish	Item No.
40 x 35 x 1,4 mm	Brass	Sanded	15.13.060
50 x 40 x 1,4 mm	Brass	Sanded	15.13.090
50 x 40 x 1,7 mm	SS	Polished	15.13.100
60 x 50 x 1,8 mm	Brass	Polished	15.13.125



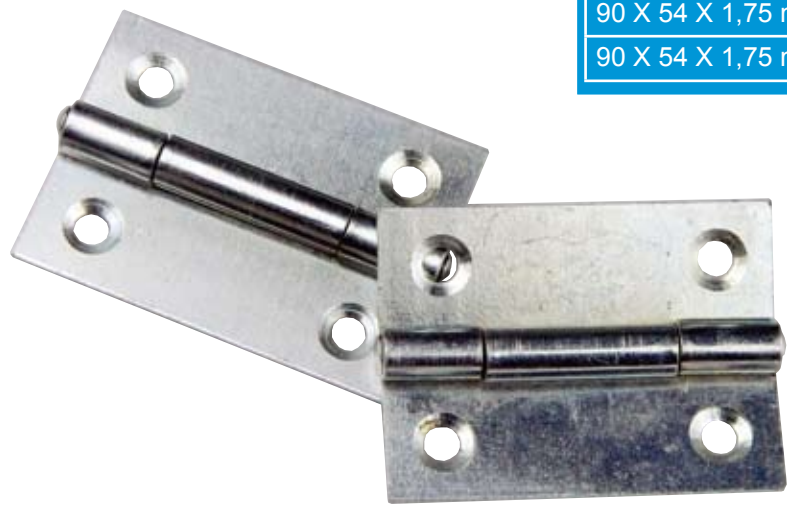
STEEL BUTT HINGES



Material: Steel

Finish: Bright Zinc Plated (BZP)
Brass Plated (BPL)

Size	Screw Holes	Finish	Item No.
25 x 24 x 1,2 mm	4 x Ø 4 mm	BZP	# 15.13.050
25 x 24 x 1,2 mm	4 x Ø 4 mm	BPL	# 15.13.051
40 x 33 x 1,4 mm	4 x Ø 4 mm	BZP	# 15.13.055
50 x 37 x 1,5 mm	4 x Ø 4,5 mm	BPL	# 15.13.083
50 x 37 x 1,5 mm	6 x Ø 5,5 mm	BZP	# 15.13.085
65 x 41 x 1,5 mm	6 x Ø 4,5 mm	BZP	# 15.13.130
65 x 41 x 1,5 mm	6 x Ø 4,5 mm	BPL	# 15.13.131
75 x 48 x 1,5 mm	6 x Ø 5 mm	BZP	# 15.13.211
75 x 48 x 1,5 mm	6 x Ø 5 mm	BPL	# 15.13.212
90 x 54 x 1,75 mm	6 x Ø 6 mm	BZP	# 15.13.216
90 x 54 x 1,75 mm	6 x Ø 6 mm	BPL	# 15.13.217



FLUSH & PIN HINGES

- high quality furniture fittings

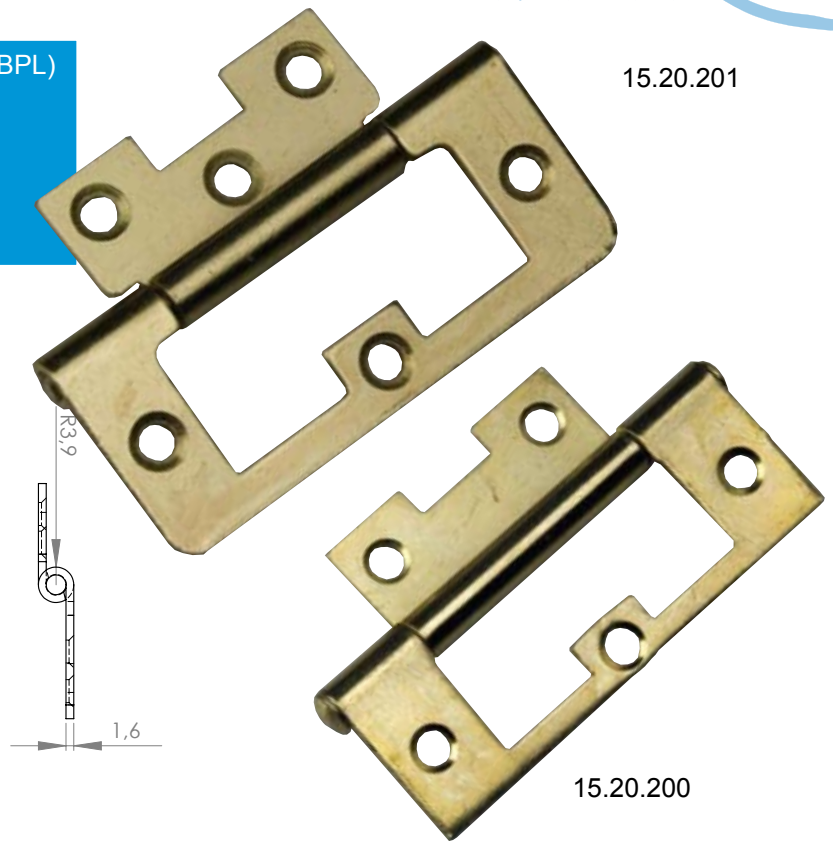
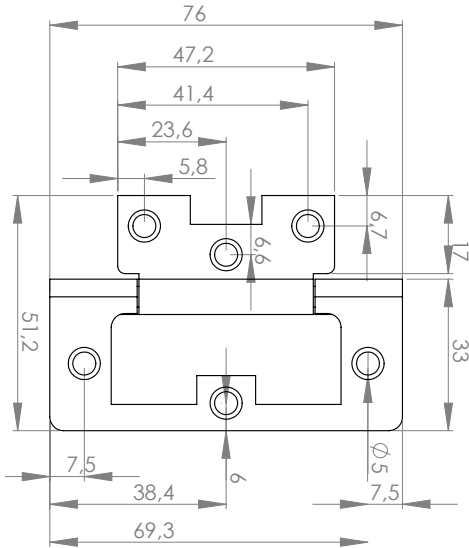


FLUSH HINGE "ROUND"

Material: Steel, Brass Plated (BPL)
Size: 76 x 33 x 1,6 mm
Screw hole: Ø 5 mm

Model	Item No.
ROUND	# 15.20.201

15.20.201

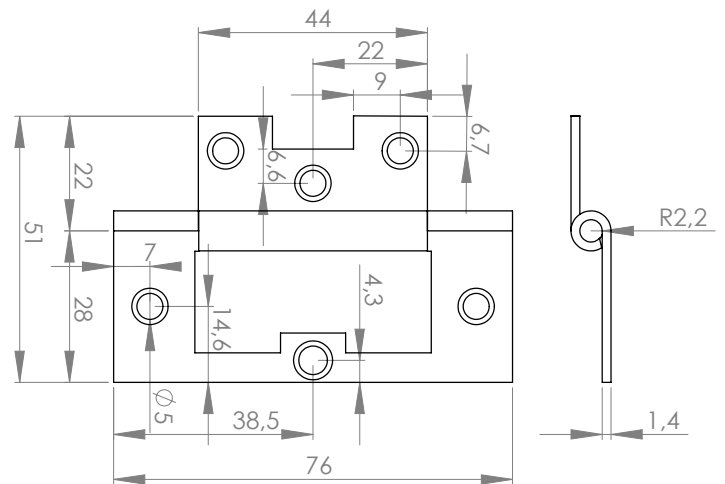


15.20.200

FLUSH HINGE "STRAIGHT"

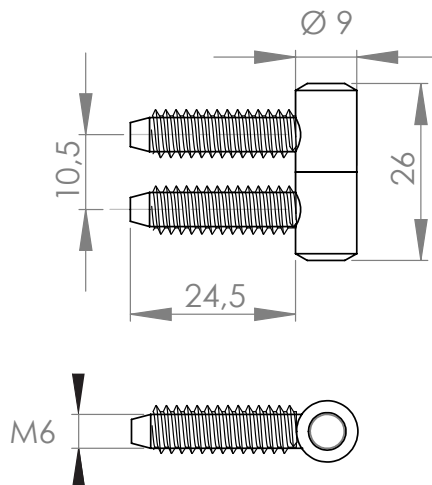
Material: Steel, Brass Plated (BPL)
Size: 76 x 28 x 1,4 mm
Screw hole: Ø 5 mm

Model	Item No.
STRAIGHT	# 15.20.200



PIN HINGE F/WOODEN CABINETS

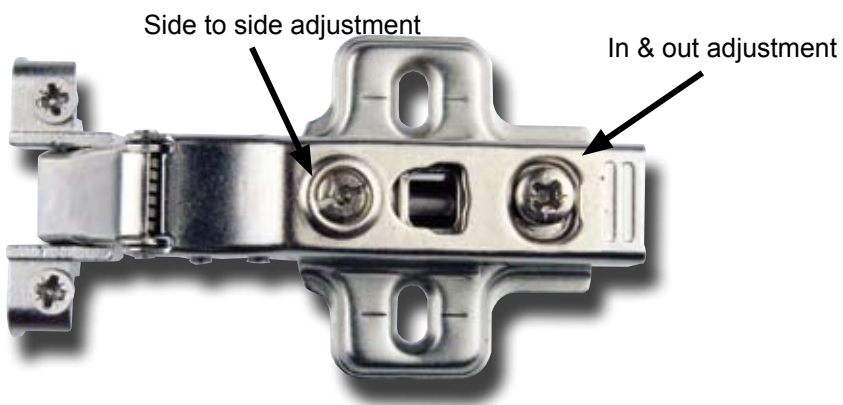
Material: Steel
Size: Ø 9 x 26 mm
Finish: Brass Plated
Item No.: # 15.08.040



SOFT CLOSE ALUMINIUM FRAME HINGE -100°

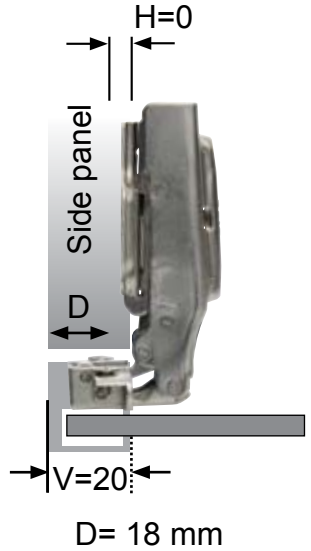


**SOFT CLOSE
CLIP-ON
FI 19-24 MM PANEL**

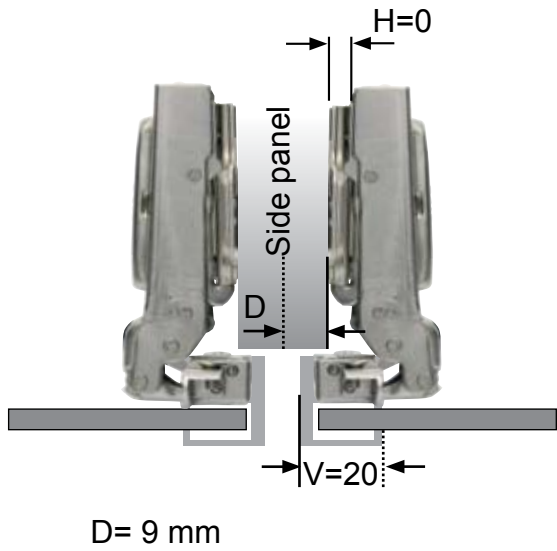


- H = height of mounting plate
- D = required door overlay
- V = width of aluminium frame
- A = gap between door and sidepanel

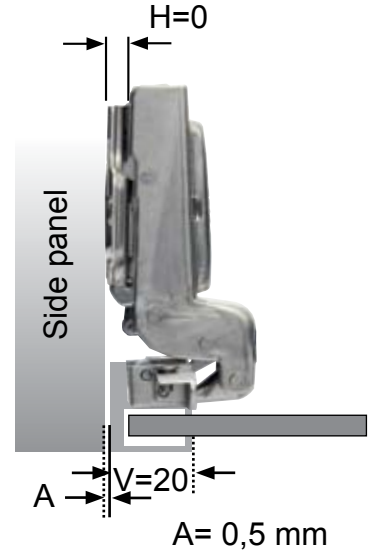
Full overlay (A)



Half overlay (B)



Inset (C)



SOFT CLOSE

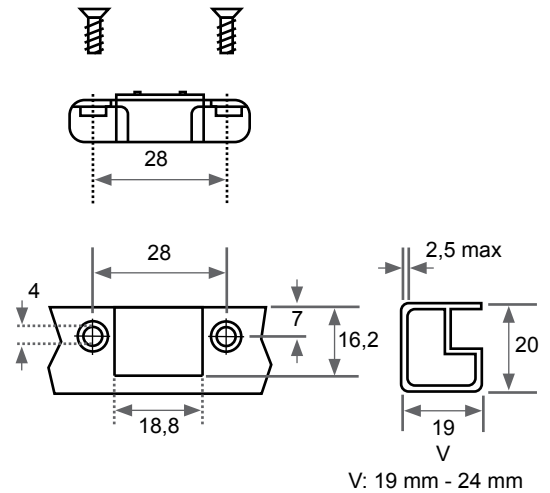
- high quality furniture fittings



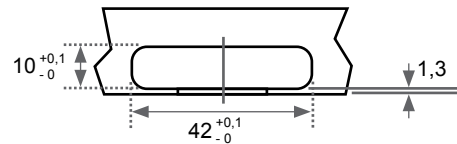
ALUMINIUM FRAME HINGE -100°



Soft close hinge f/alu frames w/ mounting plate f/ easy up and down adjusting (optional)



Opening angle:	100°
Mounting of hinge: Screw - on c.c.	28 mm
Width of aluminium frame (V):	19-24 mm



Steel - Nickel Plated		Item No.	D: Overlay calculations	A: Gap calculations																																	
		15.03.800 Incl. SISO name plate + mounting plate H = 0	<table border="1"> <tr> <th>D \ V</th> <th>19</th> <th>20</th> <th>21</th> <th>22</th> <th>23</th> </tr> <tr> <th>H</th> <td>17</td> <td>18</td> <td>19</td> <td>20</td> <td>21</td> </tr> <tr> <th>0</th> <td>15</td> <td>16</td> <td>17</td> <td>18</td> <td>19</td> </tr> <tr> <th>2</th> <td>13</td> <td>14</td> <td>15</td> <td>16</td> <td>17</td> </tr> </table>	D \ V	19	20	21	22	23	H	17	18	19	20	21	0	15	16	17	18	19	2	13	14	15	16	17										
				D \ V	19	20	21	22	23																												
H	17	18	19	20	21																																
0	15	16	17	18	19																																
2	13	14	15	16	17																																
		15.03.801 Incl. SISO name plate + mounting plate H = 0	<table border="1"> <tr> <th>D \ V</th> <th>19</th> <th>20</th> <th>21</th> <th>22</th> <th>23</th> </tr> <tr> <th>H</th> <td>8</td> <td>9</td> <td>10</td> <td>11</td> <td>12</td> </tr> <tr> <th>0</th> <td>6</td> <td>7</td> <td>8</td> <td>9</td> <td>10</td> </tr> <tr> <th>2</th> <td>4</td> <td>5</td> <td>6</td> <td>7</td> <td>8</td> </tr> </table>	D \ V	19	20	21	22	23	H	8	9	10	11	12	0	6	7	8	9	10	2	4	5	6	7	8										
				D \ V	19	20	21	22	23																												
H	8	9	10	11	12																																
0	6	7	8	9	10																																
2	4	5	6	7	8																																
		15.03.802 Incl. SISO name plate + mounting plate H = 0	<table border="1"> <tr> <th>A \ V</th> <th>19</th> <th>20</th> <th>21</th> <th>22</th> <th>23</th> <th>24</th> </tr> <tr> <th>H</th> <td>1,5</td> <td>0,5</td> <td>-0,5</td> <td>-1,5</td> <td>-2,5</td> <td>-3,5</td> </tr> <tr> <th>0</th> <td>3,5</td> <td>2,5</td> <td>1,5</td> <td>0,5</td> <td>-0,5</td> <td>-1,5</td> </tr> <tr> <th>2</th> <td>5,5</td> <td>4,5</td> <td>3,5</td> <td>2,5</td> <td>1,5</td> <td>0,5</td> </tr> </table>	A \ V	19	20	21	22	23	24	H	1,5	0,5	-0,5	-1,5	-2,5	-3,5	0	3,5	2,5	1,5	0,5	-0,5	-1,5	2	5,5	4,5	3,5	2,5	1,5	0,5						
				A \ V	19	20	21	22	23	24																											
H	1,5	0,5	-0,5	-1,5	-2,5	-3,5																															
0	3,5	2,5	1,5	0,5	-0,5	-1,5																															
2	5,5	4,5	3,5	2,5	1,5	0,5																															
		H = 0 f/chipboard screws Clip-on	Delivered as standard mounting plate with all hinges. Chipboard screws to be ordered separately.																																		
		15.03.728 H = 0 f/euro screws Clip-on	To be ordered separately if easy up & down adjustment is wanted. Pre-mounted euro screws included.																																		

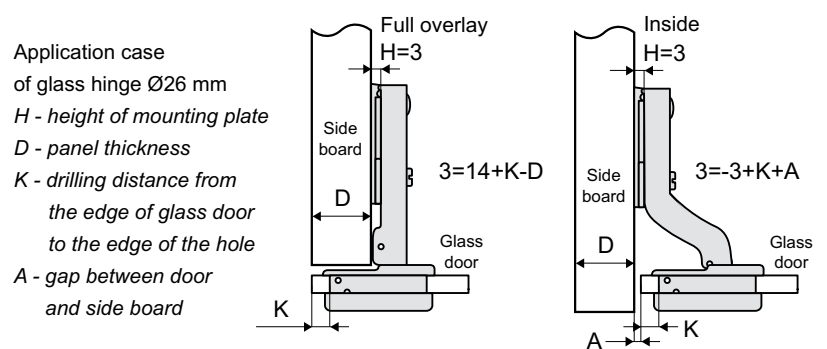
GLASS DOOR HINGES "MINI" WITH FRONT COVER

AUTOMATIC GLASS DOOR HINGE WITH DOUBLE SPRING ACTION

Opening angle: 92°
 Glass door drilling:
 26 mm for glass thickness 4 to 6 mm
 Supplied complete with wing mounting plate.
 Steel nickel pl. 3 mm distance for chipboard screw attachment
 housing: plastic black
 Hingearm keyhole type, steel nickel pl.

TYPE A = FULL OVERLAY DOORS
 0 mm cranking # 15.01.700

TYPE C = INSET DOORS
 17 mm cranking # 15.01.710

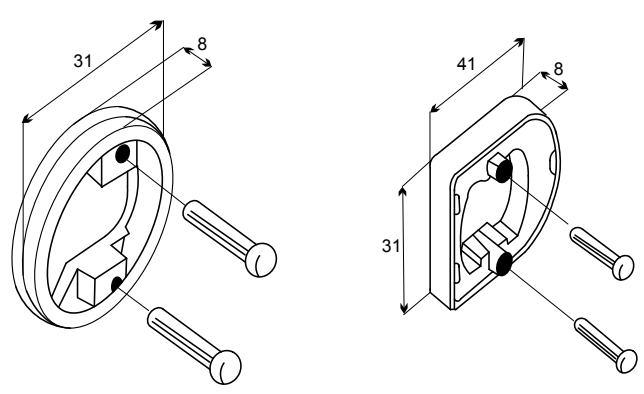


COVER CAPS FOR HINGE "MINI"

FRONT COVER PLASTIC

- Round cover, chrome # 15.02.720
- Round cover, gold # 15.02.721
- Round cover, black # 15.02.722
- Round cover, alu # 15.02.723
- Round cover, matt NPL # 15.02.724

- Oval cover, chrome # 15.02.730
- Oval cover, gold # 15.02.731
- Oval cover, black # 15.02.732
- Oval cover, alu # 15.02.733
- Oval cover, matt NPL # 15.02.734



GLASS DOOR HINGES "SMART-92"

- high quality furniture fittings

WITH FRONT COVER

GLASS DOOR HINGE „SMART-92“

Application

For inset doors. Ideal for furniture where only a very narrow wooden side-wall/pole is available. Direct fixing to side-wall/pole without any mounting plate

Mounting

Glass door drilling: \varnothing 26 mm
Glass thickness: 4-6 mm C.C. 32 mm

Material

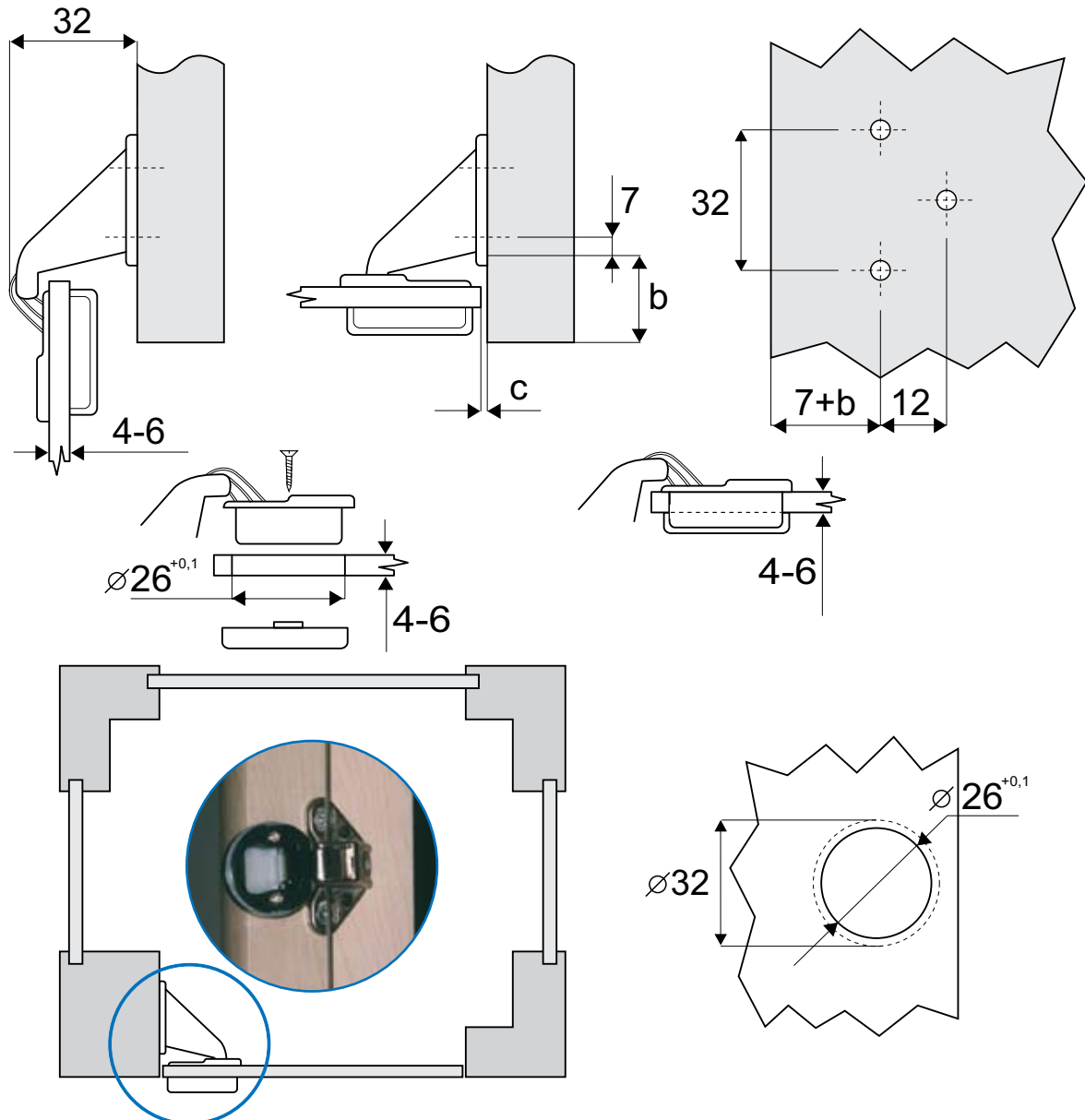
Hinge arm: Zamak, nickel plated
Hinge cup: Black plastic

Item No. # 15.01.000

Plastic cover cap \varnothing 32 mm

Finish

Alu finish # 15.01.050



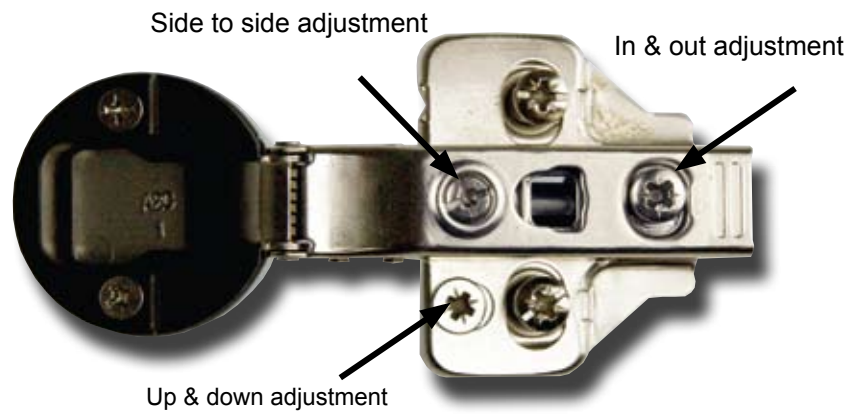
SOFT CLOSE MINI GLASS DOOR HINGE Ø 26 MM - 95°



Standard model

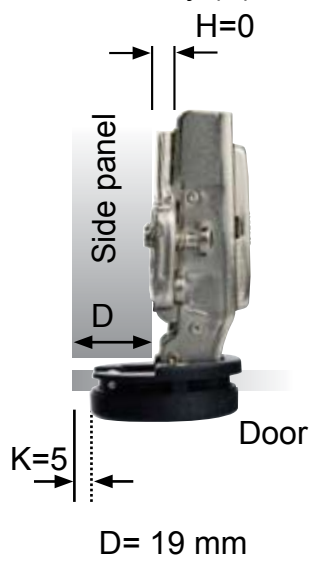
**SOFT CLOSE
CLIP-ON
FI 4-6 MM GLASS
Ø 26 MM**

Hinge w/mounting plate f/easy up & down adjustment (optional)

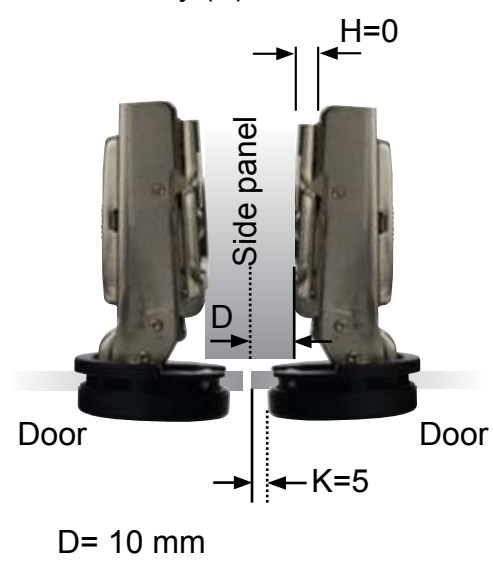


- H** = height of mounting plate
- D** = required door overlay
- K** = drilling distance from the edge of door to the edge of the cup hole
- A** = gap between door and sidepanel

Full overlay (A)



Half overlay (B)



Inset (C)

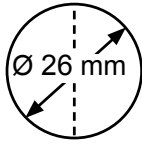


SOFT CLOSE MINI GLASS DOOR


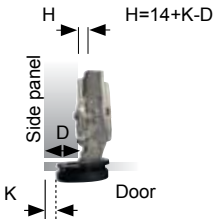

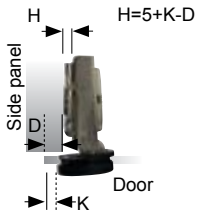

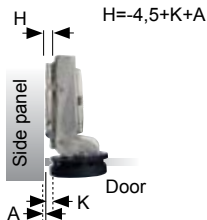

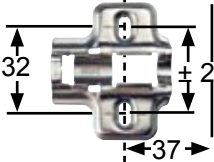

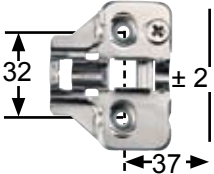




- high quality furniture fittings

HINGE Ø 26 MM - 95°

Cup drawing



Opening angle: 95°
 Depth of hinge cup: 11,3 mm
 Diameter of hinge cup: 26 mm
 Possible drilling distances on the glass door (K): 4-8 mm
 Glass door thickness: 4-6 mm

Steel - Nickel Plated		Item No.	D: Overlay calculations	A: Gap calculations																				
Full overlay (A) 		15.01.720 Incl. SISO name plate + mounting plate H = 0	<table border="1"> <tr> <td>D \ K</td> <td>3</td> <td>4</td> <td>5</td> </tr> <tr> <td>H</td> <td>0</td> <td>2</td> <td>4</td> </tr> <tr> <td>0</td> <td>15,5</td> <td>16,5</td> <td>17,5</td> </tr> <tr> <td>2</td> <td>13,5</td> <td>14,5</td> <td>15,5</td> </tr> <tr> <td>4</td> <td>11,5</td> <td>12,5</td> <td>13,5</td> </tr> </table>	D \ K	3	4	5	H	0	2	4	0	15,5	16,5	17,5	2	13,5	14,5	15,5	4	11,5	12,5	13,5	
D \ K	3	4	5																					
H	0	2	4																					
0	15,5	16,5	17,5																					
2	13,5	14,5	15,5																					
4	11,5	12,5	13,5																					
Half overlay (B) 		15.01.721 Incl. SISO name plate + mounting plate H = 0	<table border="1"> <tr> <td>D \ K</td> <td>3</td> <td>4</td> <td>5</td> </tr> <tr> <td>H</td> <td>0</td> <td>2</td> <td>4</td> </tr> <tr> <td>0</td> <td>6,5</td> <td>7,5</td> <td>8,7</td> </tr> <tr> <td>2</td> <td>4,5</td> <td>5,5</td> <td>6,5</td> </tr> <tr> <td>4</td> <td>2,5</td> <td>3,5</td> <td>4,5</td> </tr> </table>	D \ K	3	4	5	H	0	2	4	0	6,5	7,5	8,7	2	4,5	5,5	6,5	4	2,5	3,5	4,5	
D \ K	3	4	5																					
H	0	2	4																					
0	6,5	7,5	8,7																					
2	4,5	5,5	6,5																					
4	2,5	3,5	4,5																					
Inset (C) 		15.01.722 Incl. SISO name plate + mounting plate H = 0	<table border="1"> <tr> <td>A \ K</td> <td>3</td> <td>4</td> <td>5</td> </tr> <tr> <td>H</td> <td>0</td> <td>2</td> <td>4</td> </tr> <tr> <td>0</td> <td>1</td> <td>0</td> <td>-1</td> </tr> <tr> <td>2</td> <td>3</td> <td>2</td> <td>1</td> </tr> </table>	A \ K	3	4	5	H	0	2	4	0	1	0	-1	2	3	2	1					
A \ K	3	4	5																					
H	0	2	4																					
0	1	0	-1																					
2	3	2	1																					
		H = 0 f/chipboard screws Clip-on	Delivered as standard mounting plate with all hinges. Chipboard screws to be ordered separately.																					
		15.03.728 H = 0 f/euro screws Clip-on	To be ordered separately if easy up & down adjustment is wanted. Pre-mounted euro screws included.																					
 15.01.830 , ABS Chrome plated cover	 15.01.831 , ABS Alu plated cover	 15.01.820 , ABS Chrome plated cover	 15.01.821 , ABS Alu plated cover																					

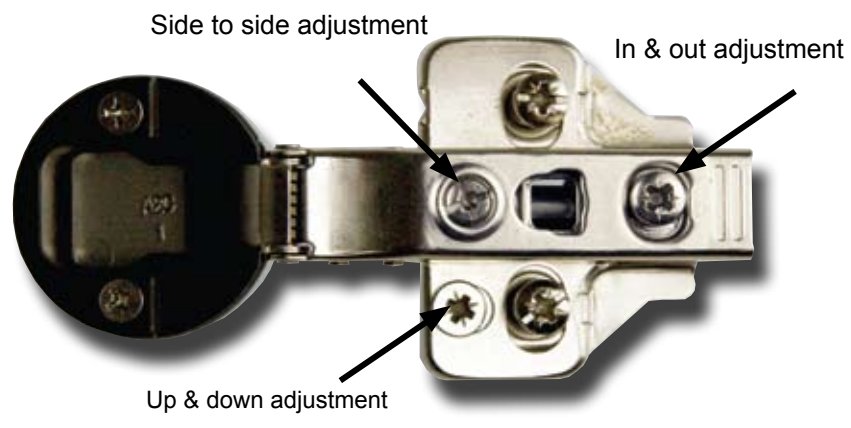
SOFT CLOSE MAXI GLASS DOOR HINGE Ø 35 MM -100°



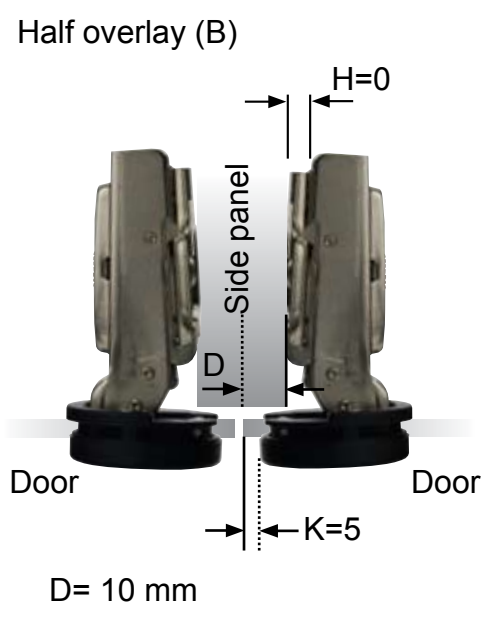
Standard model

**SOFT CLOSE
CLIP-ON
FI 4-6 MM GLASS
Ø 35 MM**

Hinge w/mounting plate f/easy up & down adjustment (optional)



- H =** height of mounting plate
- D =** required door overlay
- K =** drilling distance from the edge of door to the edge of the cup hole
- A =** gap between door and sidepanel



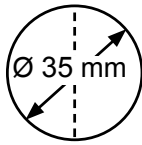
SOFT CLOSE MAXI GLASS DOOR

HINGE Ø 35 MM -100°


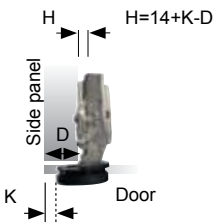

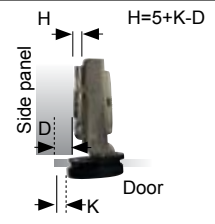

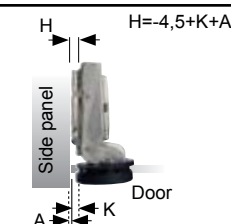

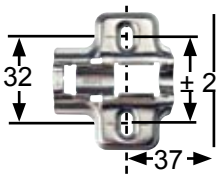

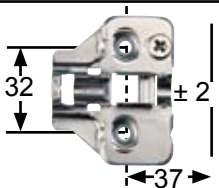




- high quality furniture fittings



Cup drawing



Opening angle: 100°
 Depth of hinge cup: 11,3 mm
 Diameter of hinge cup: 35 mm
 Possible drilling distances on the glass door (K): 4-8 mm
 Glass door thickness: 4-6 mm

Steel - Nickel Plated		Item No.	D: Overlay calculations	A: Gap calculations																												
Full overlay (A) 		15.01.715 Incl. SISO name plate + mounting plate H = 0	<table border="1"> <tr> <th>D \ K</th> <th>3</th> <th>4</th> <th>5</th> <th>6</th> <th>7</th> </tr> <tr> <th>0</th> <td>17</td> <td>18</td> <td>19</td> <td>20</td> <td>21</td> </tr> <tr> <th>2</th> <td>15</td> <td>16</td> <td>17</td> <td>18</td> <td>19</td> </tr> <tr> <th>4</th> <td>13</td> <td>14</td> <td>15</td> <td>16</td> <td>17</td> </tr> </table>	D \ K	3	4	5	6	7	0	17	18	19	20	21	2	15	16	17	18	19	4	13	14	15	16	17					
D \ K	3	4	5	6	7																											
0	17	18	19	20	21																											
2	15	16	17	18	19																											
4	13	14	15	16	17																											
Half overlay (B) 		15.01.716 Incl. SISO name plate + mounting plate H = 0	<table border="1"> <tr> <th>D \ K</th> <th>3</th> <th>4</th> <th>5</th> <th>6</th> <th>7</th> </tr> <tr> <th>0</th> <td>8</td> <td>9</td> <td>10</td> <td>11</td> <td>12</td> </tr> <tr> <th>2</th> <td>6</td> <td>7</td> <td>8</td> <td>9</td> <td>10</td> </tr> <tr> <th>4</th> <td>4</td> <td>5</td> <td>6</td> <td>7</td> <td>8</td> </tr> </table>	D \ K	3	4	5	6	7	0	8	9	10	11	12	2	6	7	8	9	10	4	4	5	6	7	8					
D \ K	3	4	5	6	7																											
0	8	9	10	11	12																											
2	6	7	8	9	10																											
4	4	5	6	7	8																											
Inset (C) 		15.01.717 Incl. SISO name plate + mounting plate H = 0	<table border="1"> <tr> <th>A \ K</th> <th>3</th> <th>4</th> <th>5</th> <th>6</th> <th>7</th> </tr> <tr> <th>0</th> <td>1,5</td> <td>0,5</td> <td>0,5</td> <td>-1,5</td> <td>-2,5</td> </tr> <tr> <th>2</th> <td>3,5</td> <td>2,5</td> <td>1,5</td> <td>0,5</td> <td>-0,5</td> </tr> <tr> <th>4</th> <td>5,5</td> <td>4,5</td> <td>3,5</td> <td>2,5</td> <td>1,5</td> </tr> </table>	A \ K	3	4	5	6	7	0	1,5	0,5	0,5	-1,5	-2,5	2	3,5	2,5	1,5	0,5	-0,5	4	5,5	4,5	3,5	2,5	1,5					
A \ K	3	4	5	6	7																											
0	1,5	0,5	0,5	-1,5	-2,5																											
2	3,5	2,5	1,5	0,5	-0,5																											
4	5,5	4,5	3,5	2,5	1,5																											
		H = 0 f/chipboard screws Clip-on	Delivered as standard mounting plate with all hinges. Chipboard screws to be ordered separately.																													
		15.03.728 H = 0 f/euro screws Clip-on	To be ordered separately if easy up & down adjustment is wanted. Pre-mounted euro screws included.																													
																																
15.01.810 , ABS Chrome plated cover	15.01.811 , ABS Alu plated cover	15.01.800 , ABS Chrome plated cover	15.01.801 , ABS Alu plated cover																													

GLASS DOOR HINGES F/DRILLING

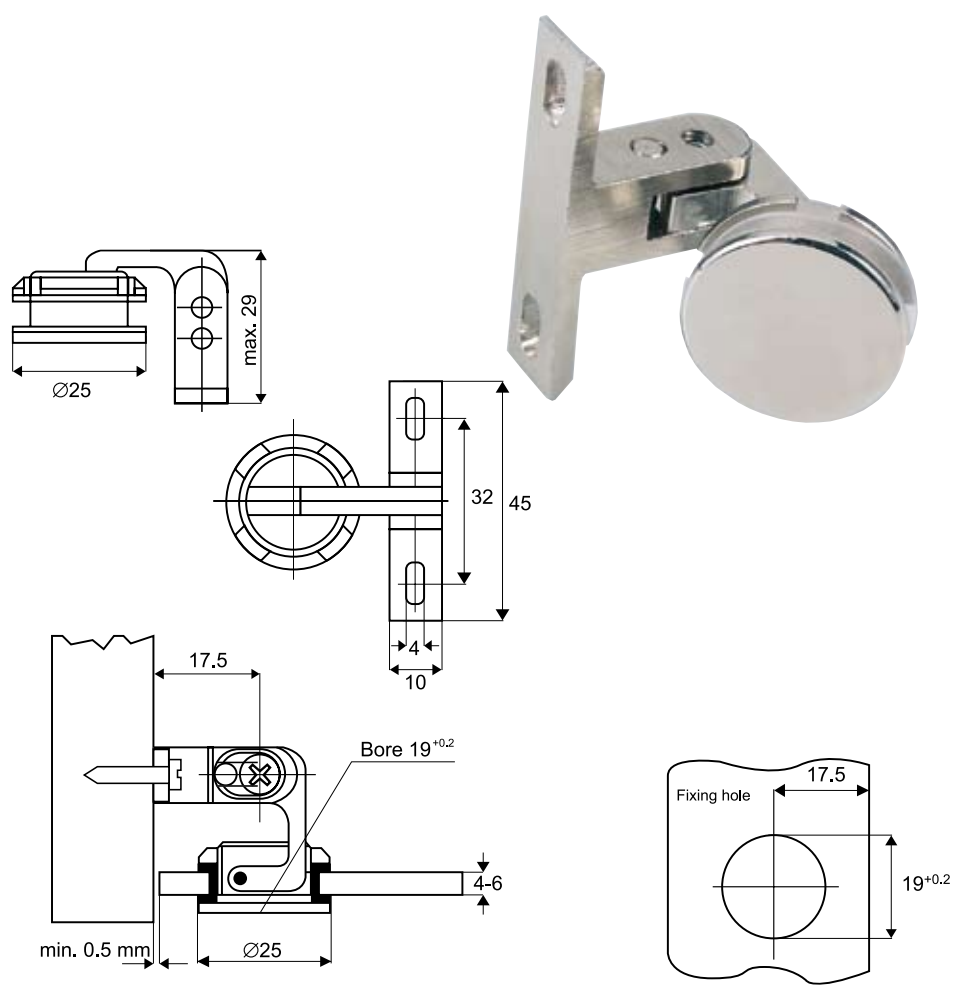
GLASS DOOR HINGE "NICE"

Finish
 Chrome plated w/catch # 15.06.450
 Chrome plated no catch # 15.06.455

Material
 Brass

Mounting
 Inset doors 5-6 mm thickness

Opening angle: 105°
 Universal top or bottom
 Height can be adjusted
 Drill size 19 mm diam.



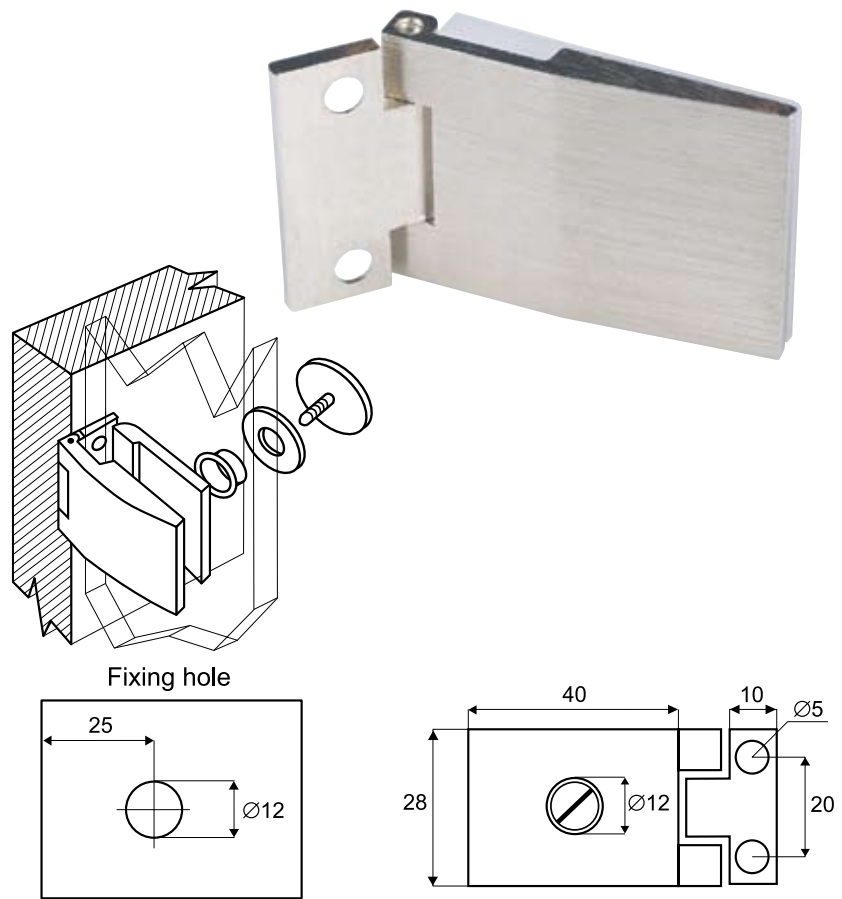
GLASS DOOR HINGE "ELEGANT"

Material
 Brass

Finish
 Brushed natural brass # 15.06.460
 Brushed nickel # 15.06.461

Mounting
 Inset doors 6 mm thickness
 Opening 270°
 Drill size 12 mm

Packing
 40 pcs



GLASS DOOR HINGES F/DRILLING

- high quality furniture fittings

BRASS GLASS DOOR HINGE "SWAN" F/6-8 MM GLASS

Finish

Gold plated # 15.30.000

Material

Brass

Consists of

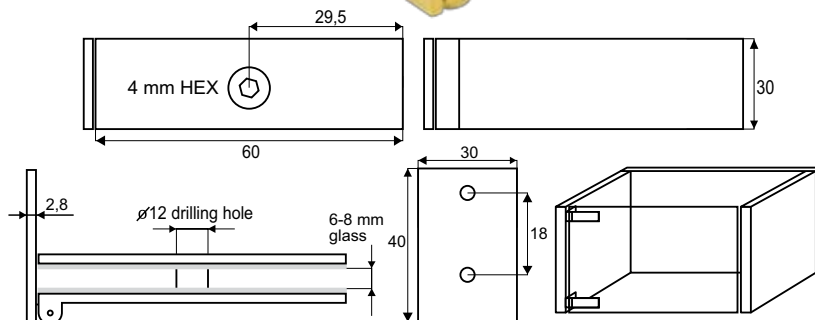
1 hinge 60 x 30 mm
2 cork cushions
1 brass screw M6 x 10 mm, 4 mm hex

Function

Inset doors, max 6-8 mm glass thickness
Max door size 1400 x 700 mm
Ø12 mm drilling hole
Opening angle 90°

Packing

200 pcs per export carton



GLASS DOOR HINGE "GRACE" SS 304 FOR WOOD/GLASS

Mounting: Glass: Ø 10 mm boring holes
Wood: 7 x 4 mm screw holes

Material: Stainless steel 304 - polished

Hinge size: 52 x 31 x 13 mm (H/W/D)

Glass thickness: 5 - 8 mm

Max door size: 650 x 900 mm

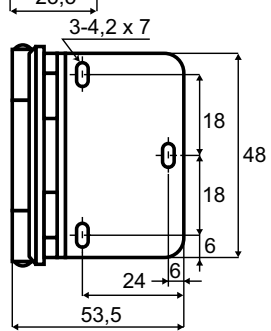
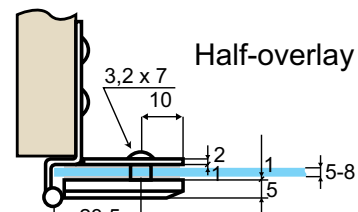
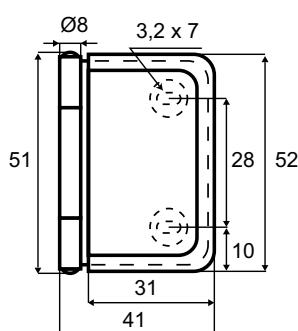
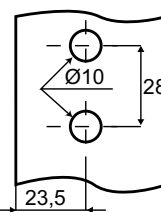
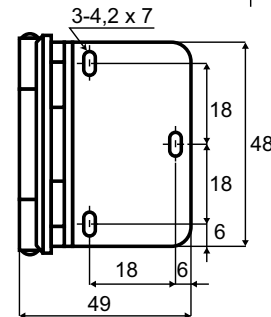
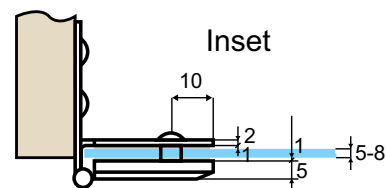
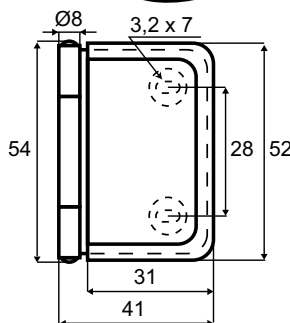
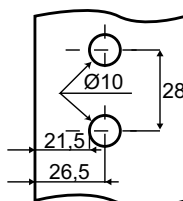
Max door weight: 6 kg per hinge

Function: Inset or half-overlay
Opening 180°

Inset: # 15.06.470

Half-overlay: # 15.06.471

Each hinge is supplied with 2 white cushions 1 mm thickness



Inset



Half-overlay

GLASS PIVOT HINGES - NO DRILLING

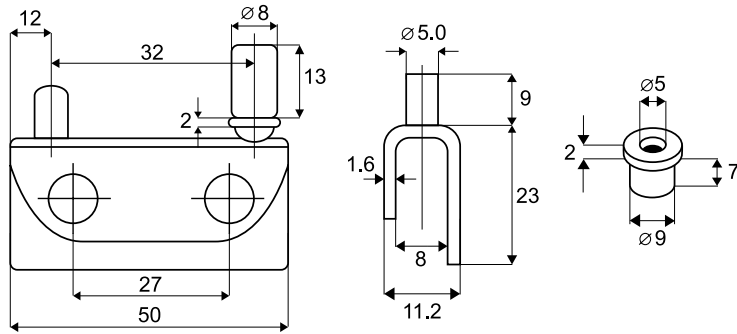
GLASS DOOR HINGE 11.300

Material: Steel
 Chrome plated # 15.06.036
 Brass plated # 15.06.035
 Black anodized # 15.06.037
 Alu finish # 15.06.038

Mounting: Top + Bottom
 Inset doors, max 4-6 mm
 Complete with nylon bushings and steel screws w/softtip

Front plate:
 Size: 50 x 23 mm - polished

Optional, to be ordered separately
BALL CATCH # 15.06.076
 Material: Brass
 Size: Ø 8 mm x 13 mm



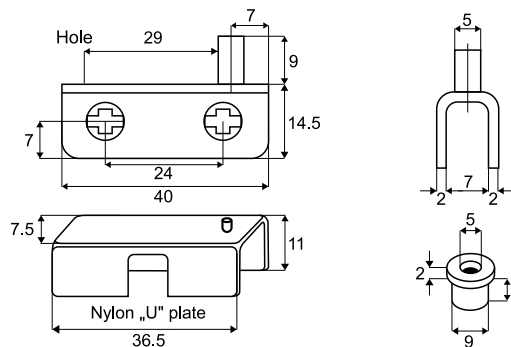
GLASS DOOR HINGE 11.561

Material: Steel
 Chrome plated # 15.06.096
 Brass plated # 15.06.091
 Black anodized # 15.06.095
 Alu finish # 15.06.098

Mounting: Top + Bottom
 Inset Doors, max 5 mm
 Complete with nylon bushings, steel screws & sleeve

Front plate:
 Size: 40 x 15 mm - polished

Optional, to be ordered separately
BALL CATCH # 15.06.076
 Material: Brass
 Size: Ø 8 mm x 13 mm



GLASS PIVOT HINGE "BRASS"

Mounting: Inset doors.
 Complete with brass bushings & soft tip screws

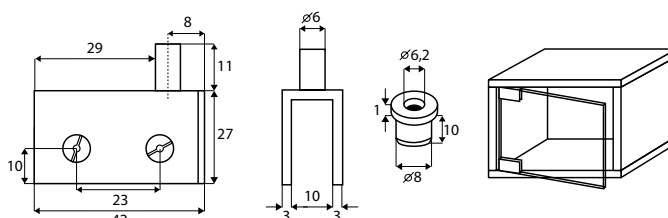
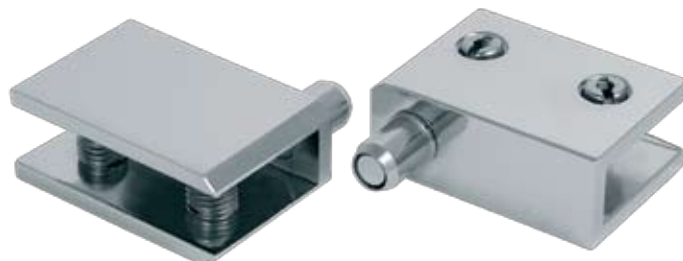
Material: 3 mm brass

Hinge size: 42 x 27 x 16 mm
 (W/H/D)

Bushing size: Ø 8 x 11 mm

Glass thickness: 4 - 8 mm

Chrome plated # 15.06.070
 Alu finish # 15.06.071



GLASS PIVOT HINGES "STAINLESS STEEL" **SISO** DENMARK

- high quality furniture fittings

- NO DRILLING

MODEL "SMALL"

Mounting:

Inset doors. Complete with brass bushings & soft tip screws

Material:

2 mm stainless steel, polished

Hinge size: 42 x 20 x 13 mm (W/H/D)

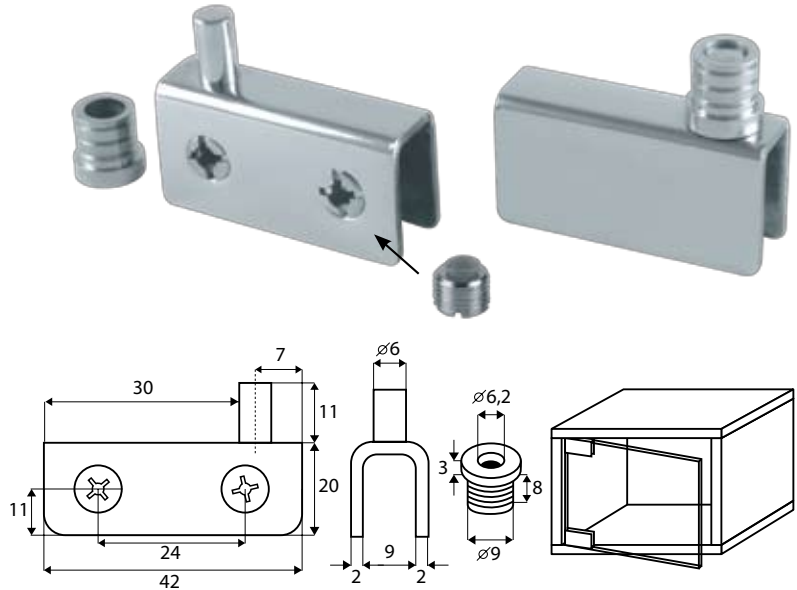
Bushing size: $\varnothing 9 \times 8$ mm

Glass thickness: 6 mm

Item No. # 15.06.060

Packing:

70 pairs per carton



MODEL "MEDIUM"

Mounting:

Inset doors. Complete with brass bushings & soft tip screws

Material:

2 mm stainless steel, polished

Hinge size: 52 x 26 x 16 mm (W/H/D)

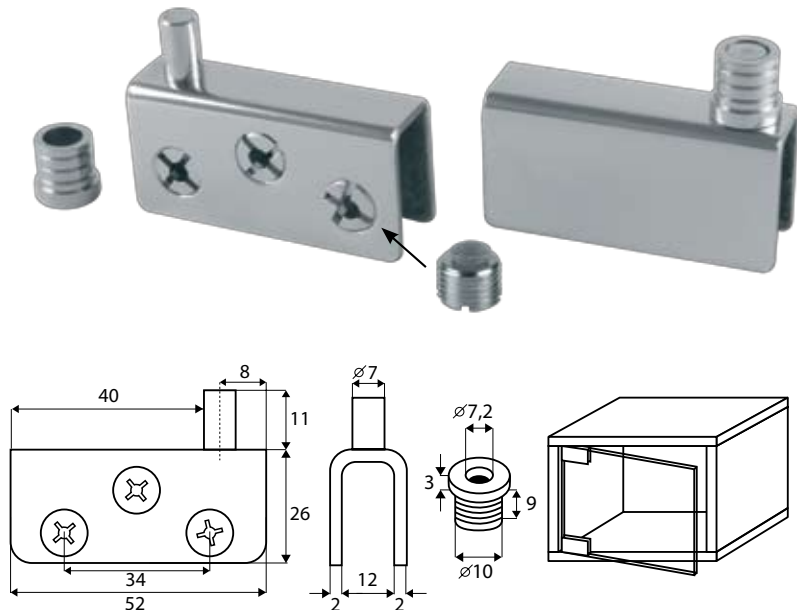
Bushing size: $\varnothing 10 \times 9$ mm

Glass thickness: 8 mm

Item No. # 15.06.062

Packing:

70 pairs per carton



MODEL "LARGE"

Mounting:

Inset doors. Complete with brass bushings & soft tip screws

Material:

2 mm stainless steel, polished

Hinge size: 71 x 35 x 17 mm (W/H/D)

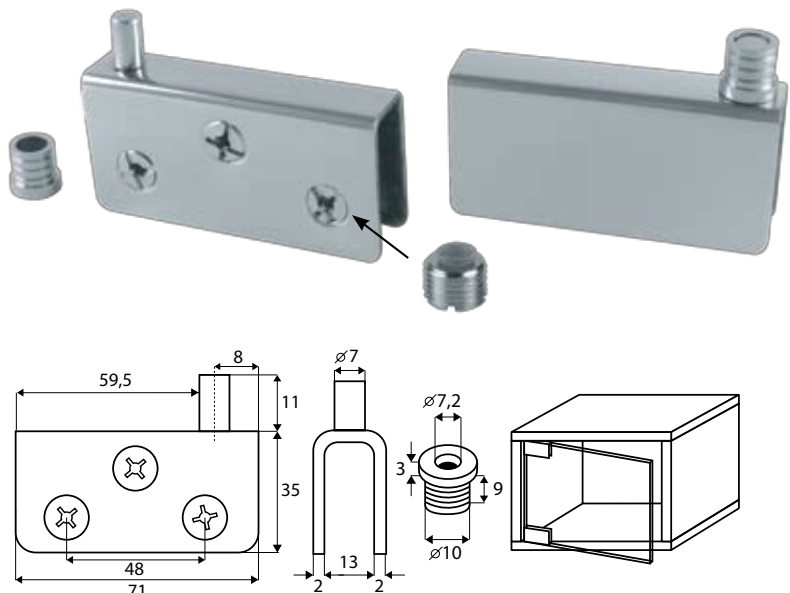
Bushing size: $\varnothing 10 \times 9$ mm

Glass thickness: 10 mm

Item No. # 15.06.064

Packing:

70 pairs per carton



GLASS DOOR HINGES - NO DRILLING

GLASS DOOR HINGE A-11

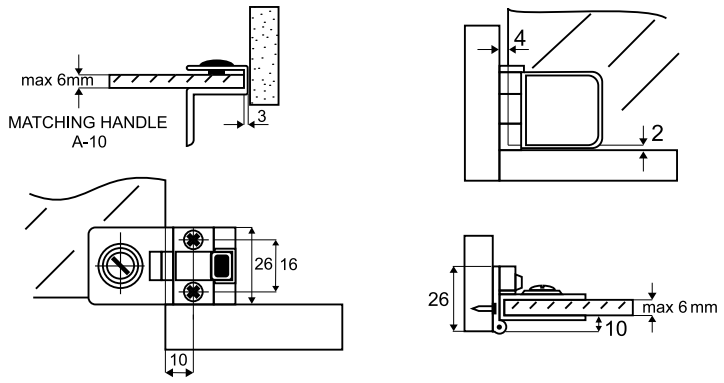
Material: Zamak
 Chrome plated # 15.06.126
 Brass plated # 15.06.120
 Black anodized # 15.06.127

Mounting:
 Inset doors, max 5-6 mm
 Side fixation
 With catch

Front plate:
 Size: 25 x 25 mm - framed
 & sparkled

Matching handle:
 # A-10

Packing:
 Each pair (Right + Left)
 incl. pads/cushions is packed
 in a polybag
 200 pairs per box



GLASS DOOR HINGE 11-100

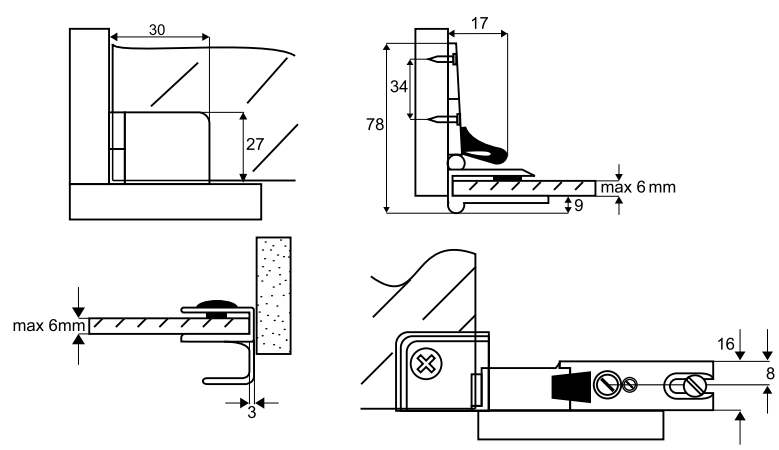
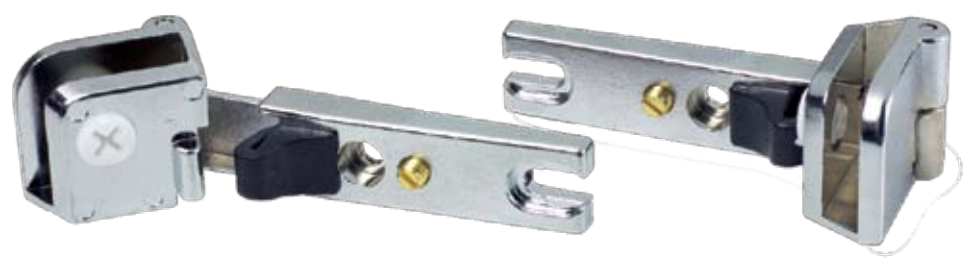
Material: Zamak
 Chrome plated # 15.06.025

Mounting: Side fixation
 Inset doors, max 4-6 mm
 Max door size: 800 x 350 mm
 - 4 kilos
 With catch

Front plate:
 Size: 27 x 23 mm, sparkled

Matching handle:
 # 11.200

Packing:
 Each pair (Right + Left)
 incl. pads/cushions is packed
 in a polybag
 40 pairs per box
 200 pairs per export carton



GLASS DOOR HINGE D-13/2

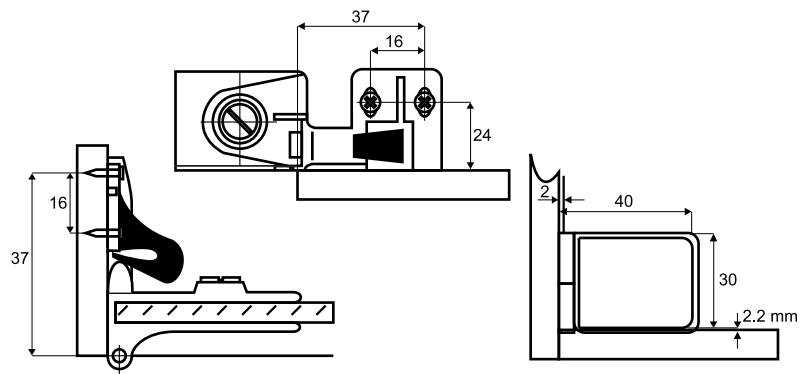
Material: Zamak
 Chrome plated # 15.06.102
 Bronze plated # 15.06.103
 Black anodized # 15.06.105

Mounting:
 Inset doors, max 5 mm
 Max door size 1000 x 600 mm
 With catch

Front plate:
 Size 40 x 30 mm
 sparkled

Matching handle:
 # D-12, D-12/2, D-120

Packing:
 Each pair (right + left) incl. pads/cushions
 is packed in a polybag
 50 pairs per box
 200 pairs per export carton



GLASS DOOR CENTRE HINGE C-13

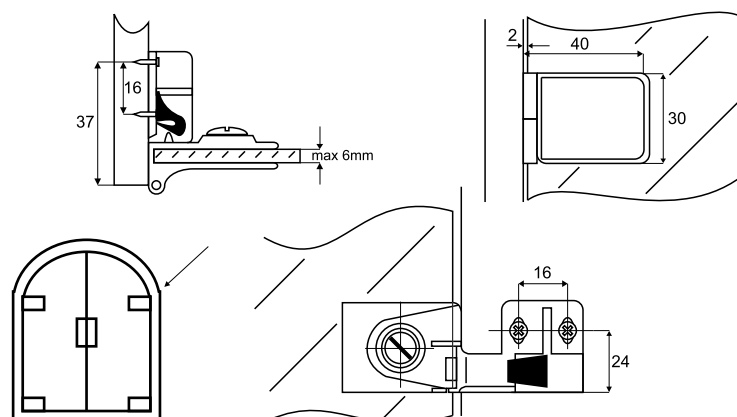
Material Zamak L/R
 Chrome plated # 15.06.311/321
 Brass plated # 15.06.310/320
 Bronze plated # 15.06.312/322
 Black anodized # 15.06.313/323

Mounting
 Inset doors, max 5 mm
 Centre- or Top fixation for
 rounded doors
 With catch

Front plate
 Size: 40 x 30 mm - framed
 & sparkled

Matching handle
 # D-12, D-12/2 & D-120

Packing
 100 pairs per box
 400 pairs per export carton



LIFT-OFF BUTT HINGE SS 304 FOR UV-GLUE

Mounting: By UV-glue B 682-0 from Bohle.
UV-lamp is needed

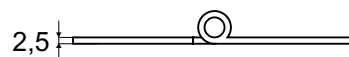
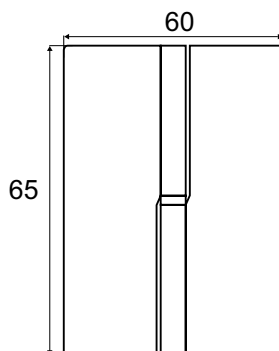
Material: 2,5 mm stainless steel 304 - polished

Hinge size: 65 X 60 mm (H/W)

Function: Inset doors
Max door width 500mm
Load capacity: 7,5 KG per pair
Opening angle 270°
Glass thickness: 4-8 mm

Right hand: # 15.13.590

Left hand: # 15.13.600



BUTT HINGE SS 304 FOR UV-GLUE

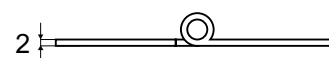
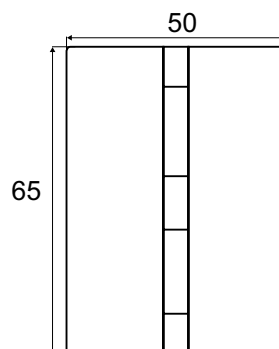
Mounting: By UV-glue B 682-0 from Bohle.
UV-lamp is needed

Material: 2 mm stainless steel 304 - polished

Hinge size: 65 x 50 mm (H/W)

Function: Inset doors
Max door width 500 mm
Load capacity: 7,5 KG per pair
Opening angle 270°
Glass thickness: 4-8 mm

Item No: # 15.13.105





BRASS BUTT HINGE FOR UV-GLUE

Mounting:	By UV-glue B 682-0 from Bohle UV-lamp is needed
Material:	2,9 mm Brass - Chrome Plated
Hinge size:	60 x 60 mm (H/W)
Function:	Inset doors Max door width 500 mm
Load Capacity:	7,5 Kg per pair
Opening:	270°
Glass thickness:	4-8 mm
Finish:	Chrome Plated (CPL) # 15.13.110 SS-Look (nickel brushed) # 15.13.111

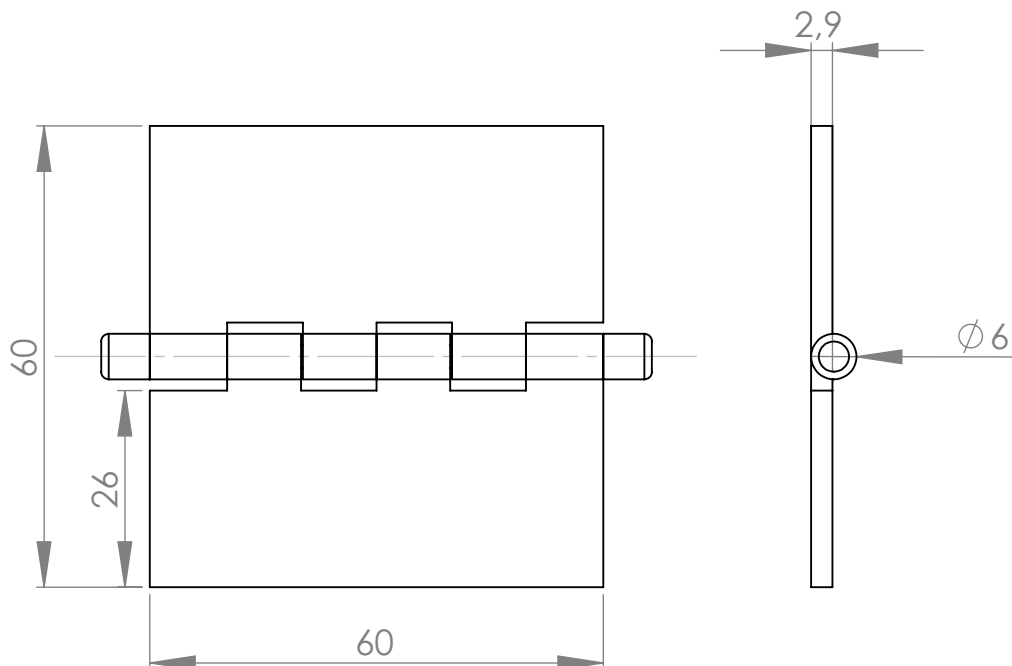
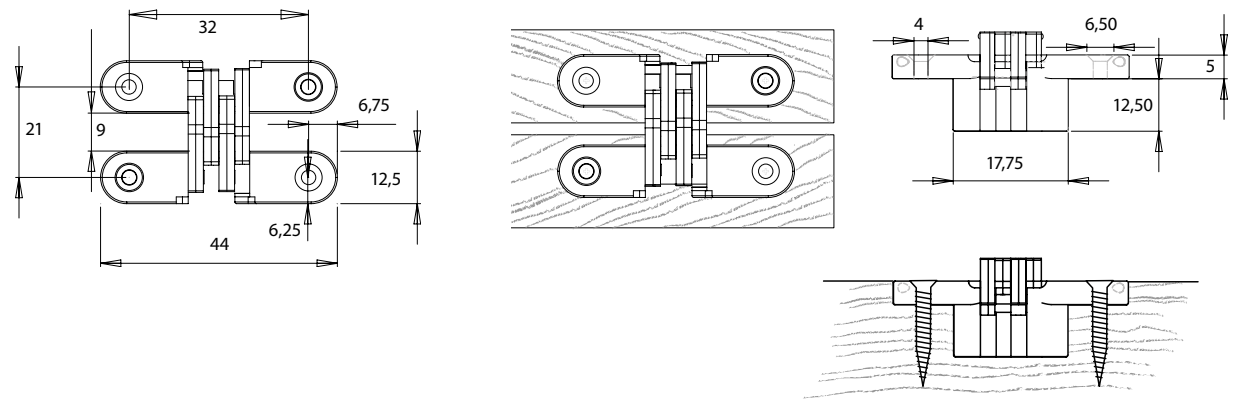


TABLE HINGES

VICI HINGE - ZAMAK w/ STEEL LINKAGE - 180°

Material	Body:	Zamak
	Linkage:	Steel
Finish:	Yellow Zinc Plated (YZP)	
Size:	44 x 12,5 mm	
Screw Hole:	Ø 4 mm - c/c 32 mm	
Item No.:	# 15.07.115	

Other sizes and finishes on request



VICI HINGE - ZAMAK w/ SS LINKAGE - 180°

Material	Body:	Zamak
	Linkage:	Stainless Steel (SS)
Finish:	Body:	Stainless Steel look- Brushed
	Linkage:	Plain

Incl. 4 CSK chip board screws

A	B	C	D	E	F	G	H	I	J	K	Item No.
45 mm	13 mm	21 mm	32 mm	8 mm	7 mm	18,5 mm	12 mm	5 mm	6,5 mm	4 mm	15.07.120
60 mm	13 mm	21 mm	47 mm	9 mm	7 mm	32 mm	12 mm	6 mm	7,5 mm	5 mm	15.07.121
70 mm	16 mm	26 mm	55 mm	11 mm	8 mm	34 mm	16 mm	7 mm	8 mm	5 mm	15.07.122
95 mm	19 mm	32 mm	75 mm	13,5 mm	10 mm	51,5 mm	17 mm	10 mm	10 mm	6 mm	15.07.123

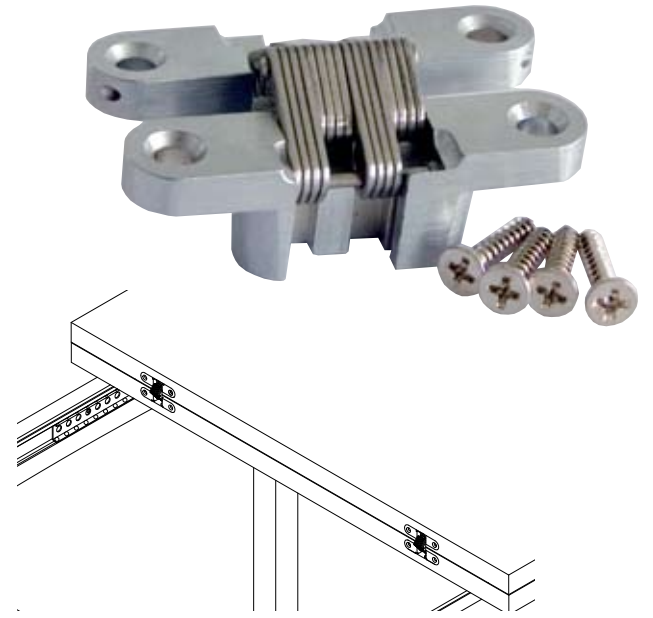
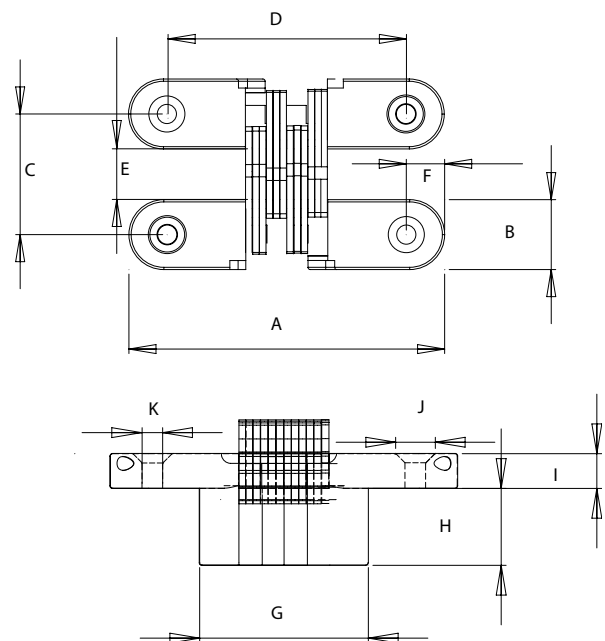


TABLE HINGES

- high quality furniture fittings



ELU TABLE HINGE 180°



Material: Steel, Yellow Zinc Plated (YZP)
Over all Size: 85 mm x 46 mm

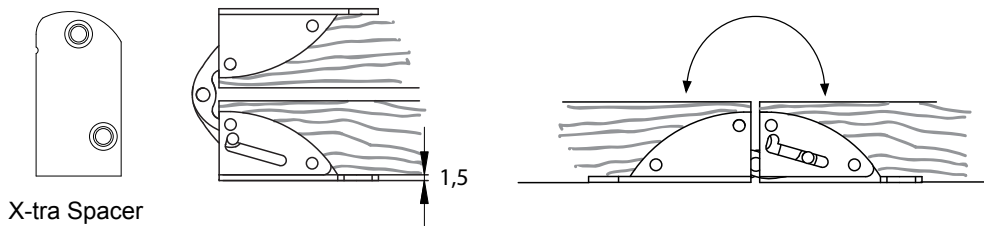
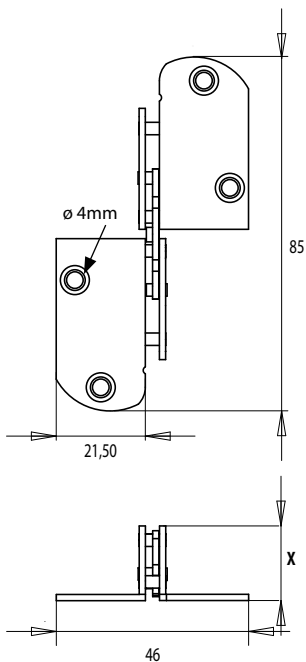
Panel Size X	Item No.	Panel Size X	Item No.
16 mm	# 15.80.110	23 mm	# 15.80.145
18 mm	# 15.80.120	25 mm	# 15.80.155
19 mm	# 15.80.125	30 mm	# 15.80.170
20 mm	# 15.80.130	32 mm	# 15.80.025 (BPL)
22 mm	# 15.80.140		

Spacer For Panel Thickness Reduction = SFPTR*

SFPTR*	Item No.	SFPTR*	Item No.
1 mm	# 15.80.000	2 mm	# 15.80.001

The Spacer gives you the possibility to operate with only one hinge size even though you use different panel thicknesses in your production.

Example: Take a Hinge for 18 mm panel thicknesses and add a 2 mm spacer. Now you can use the hinge for 16 mm panel thickness.



SEPA HINGE 180°

Material: Zamak
Panel thickness: Min. 26 mm
Size: 52 x 18 x 2 mm
Item No. # 15.04.076

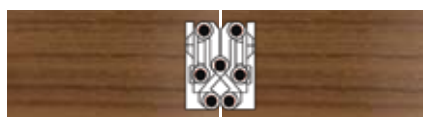
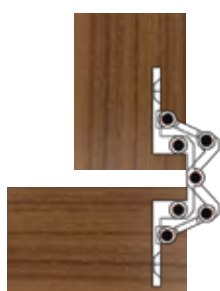
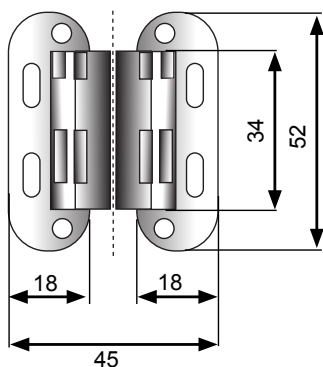


Table leaves



TABLE HINGES

TABLE FLAP HINGE

- f/ 22 mm PANEL - 180°

Material:
 Body: Nylon
 Linkage: Zamak

Bore Size: Ø 35 mm and Ø 25 mm
 Hole Depth: 19 mm

Finish

Body:	Linkage:	Item No.
Beige	Yellow Zinc	# 15.80.200
Black	Black Zinc	# 15.80.201

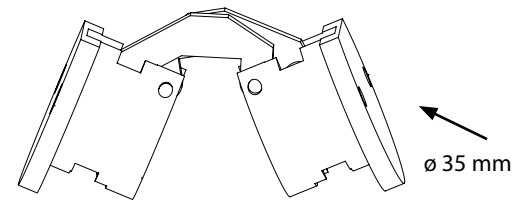
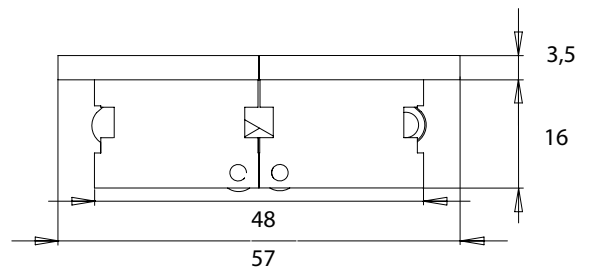
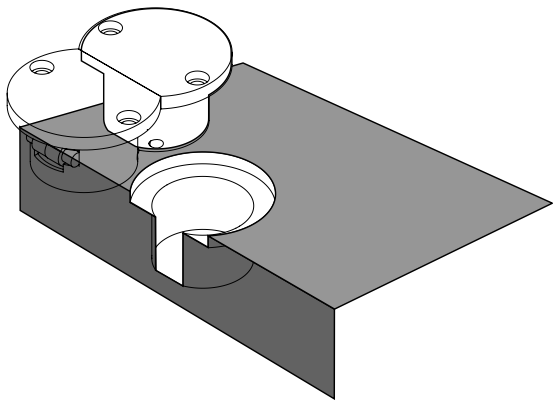
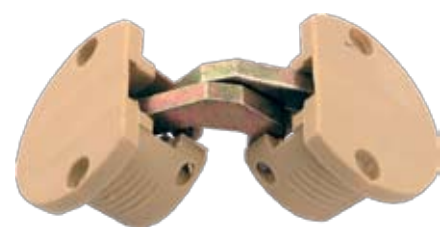
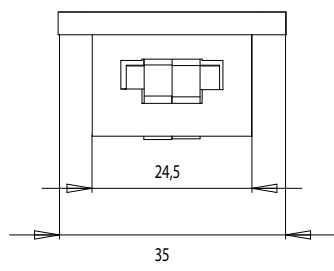


TABLE FLAP HINGE "ZAMAK"

Material: Body: Zamak, Yellow Zinc Plated
 Linkage: Steel, Yellow Zinc Plated

Over all size: 108 x 40 x 3 mm

Panel size: 20 mm # 15.80.175
 Panel size: 27 mm # 15.80.180

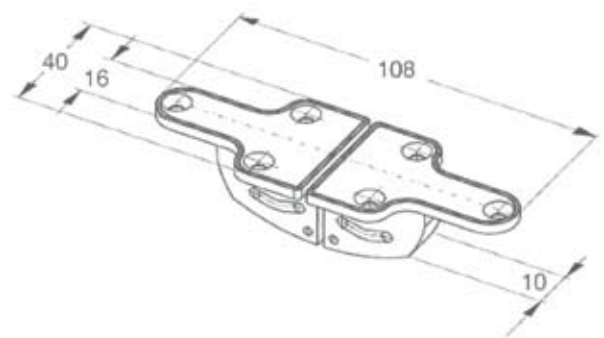


TABLE HINGES

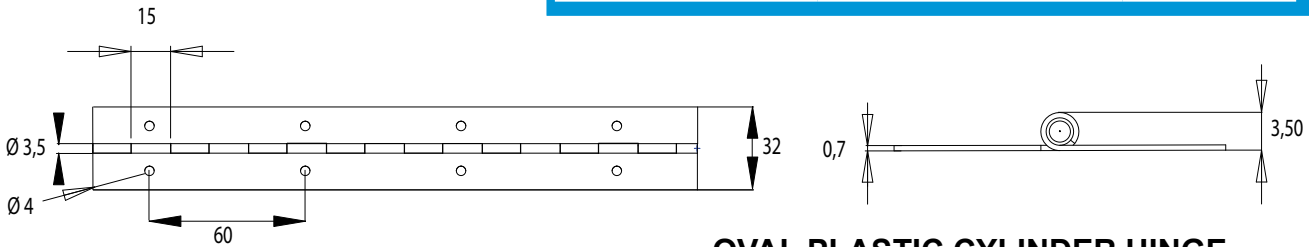
- high quality furniture fittings



PIANO HINGE



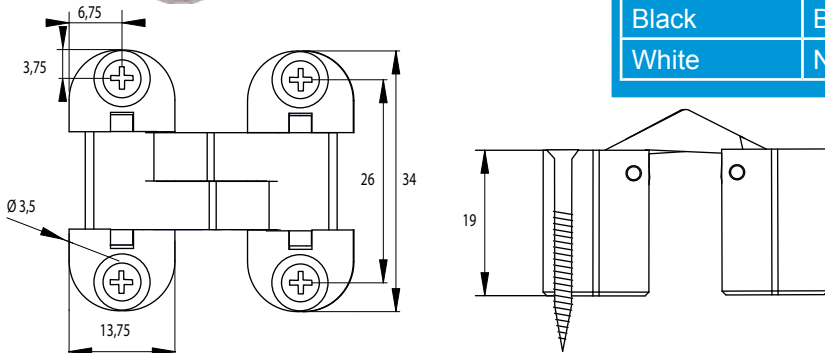
Material:	Steel	
Screw hole:	Ø 4 mm - c/c 60 mm	
Size	Finish	Item No.
32 x 0,7 x 1830 mm	Brass Plated Lacquered	# 15.12.076
32 x 0,7 x 1830 mm	Nickel Plated	# 15.12.075



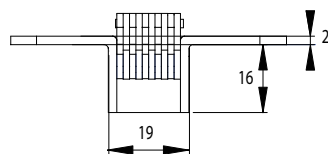
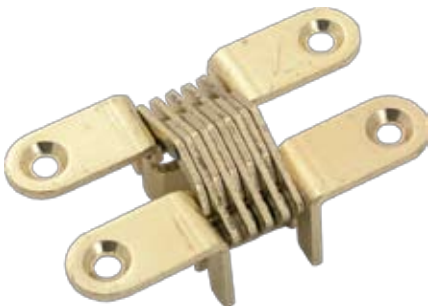
OVAL PLASTIC CYLINDER HINGE - w/ BRASS LINKAGE - 180°



Material	Body :	Nylon
	Linkage:	Brass
Size:	34 x 14 mm	
Screw hole:	Ø 3,5 mm - c/c 25 mm	
Finish:		
Body	Linkage	Item No.
Brown	Bronze Plated	# 15.07.165
Black	Burnished	# 15.07.166
White	Nickel Plated	# 15.07.167



VICI HINGE - STEEL 180°



Material	Steel	
Size:	65 x 13 mm	
Screw hole:	Ø 4 mm - c/c 52 mm	
Finish	Item No.	
Brass Plated	# 15.07.010	
Bronze Plated	# 15.07.015	
Other Sizes on request		

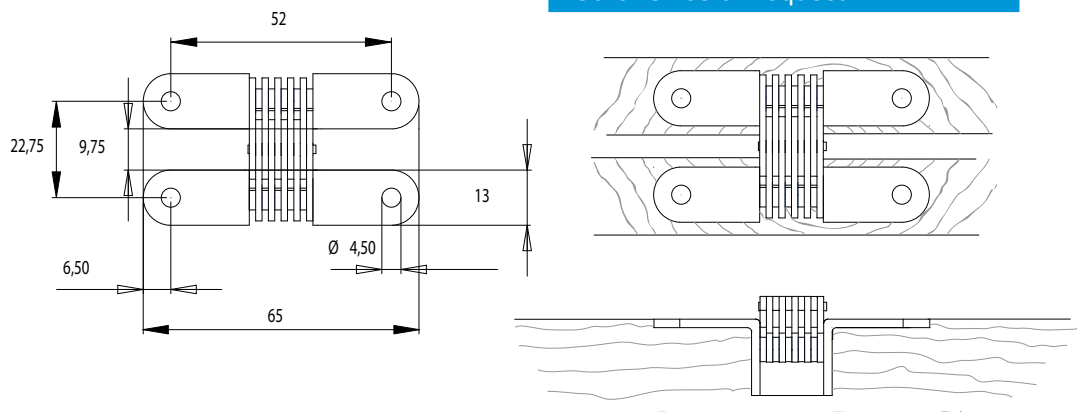
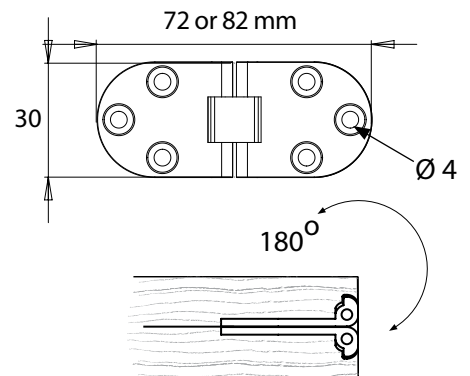


TABLE HINGES

SEWING MACHINE TABLE HINGE

Material: Brass or Stainless Steel (SS)
Screw Holes: Ø 4.0 mm

Sizes	Finish	Item. No
30 x 72 x 2.0 mm	Brass Sanded	# 15.11.350
30 x 72 x 2.0 mm	Nickel Satin	# 15.11.355
30 x 72 x 2.0 mm	Bronzed	# 15.11.370
30 x 72 x 2.0 mm	SS Polished	# 15.11.390
30 x 72 x 2.0 mm	SS Brushed	# 15.11.391
30 x 80 x 2.0 mm	Brass Sanded	# 15.11.310

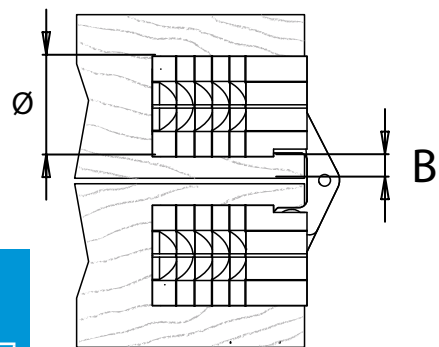
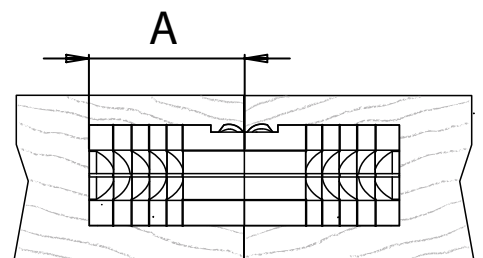


BRASS CYLINDER HINGE w/ SS PIN & SCREWS

Material: Body and Linkage: Brass
Pin and Screws: Stainless Steel (SS)
Finish: Brass Natural

Sizes	Item No	A*	B*
Ø 10 mm	# 15.07.345	11,0 mm	2,0 mm
Ø 12 mm	# 15.07.346	13,5 mm	2,2 mm
Ø 14 mm	# 15.07.347	15,5 mm	3,0 mm
Ø 16 mm	# 15.07.348	16,5 mm	3,0 mm
Ø 18 mm	# 15.07.349	17,5 mm	3,0 mm
Ø 24 mm	# 15.07.350	25,0 mm	4,5 mm

* See illustration A and B for measurement



PLASTIC CYLINDER HINGE w/ STEEL LINKAGE

Material: Body: Nylon
Linkage: Steel, Yellow Zinc Plated

Sizes	Finish	Item No	A*	B*
Ø 12 mm	Beige	# 15.07.202	18,0 mm	2,5 mm
Ø 12 mm	Dark Brown	# 15.07.203	18,0 mm	2,5 mm
Ø 14 mm	Beige	# 15.07.222	15,5 mm	2,5 mm
Ø 14 mm	Dark Brown	# 15.07.223	15,5 mm	2,5 mm

* See illustration A and B for measurement

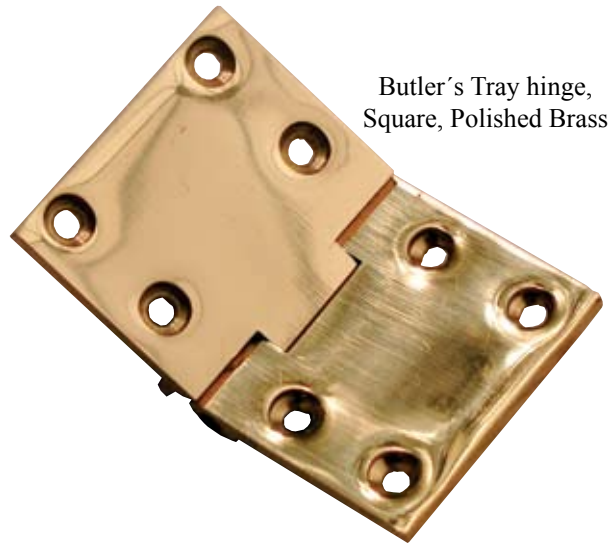


BUTLER'S TRAY HINGE SQUARE W/STEEL SPRING

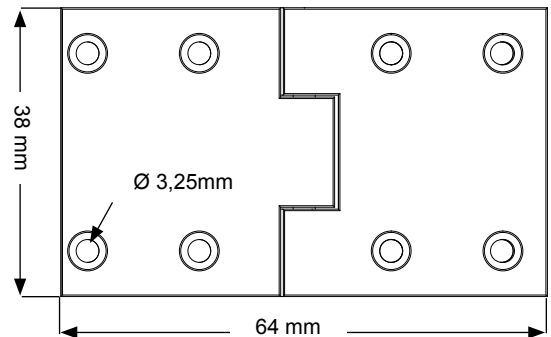
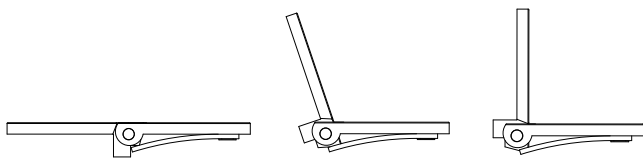
Material: Brass

Screw holes: $\varnothing 3,25$

Type:	Size	Finish	Item No.
Square	38 x 64 x 3 mm	Sanded	15.11.160
Square	38 x 64 x 3 mm	Polished	15.11.161



Butler's Tray hinge,
Square, Polished Brass



BUTLER'S TRAY HINGE ROUND W/STEEL SPRING

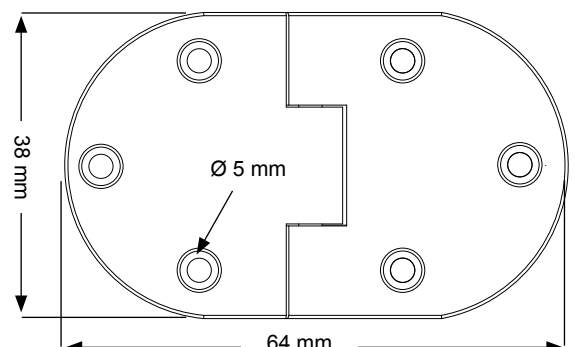
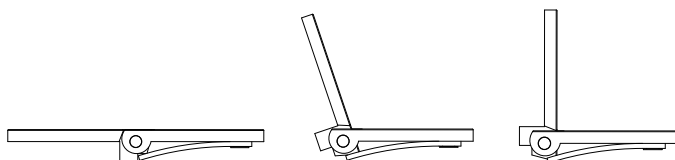
Material: Brass

Screw holes: $\varnothing 5$ mm

Type:	Size	Finish	Item No.
Oval	38 x 64 x 3 mm	Sanded	15.11.165
Oval	38 x 64 x 3 mm	Polished	15.11.166

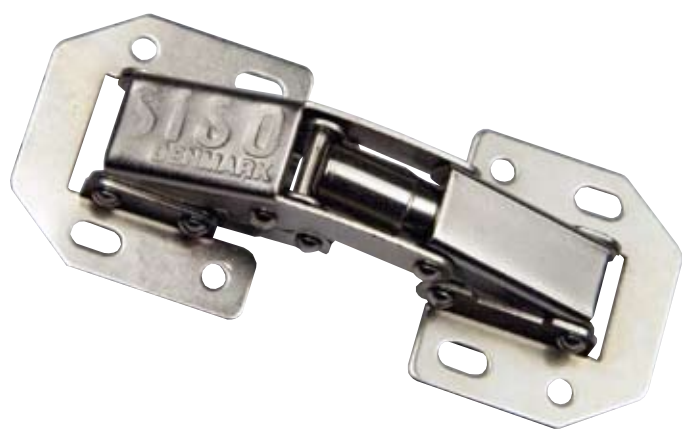


Butler's Tray hinge,
Round, Polished Brass

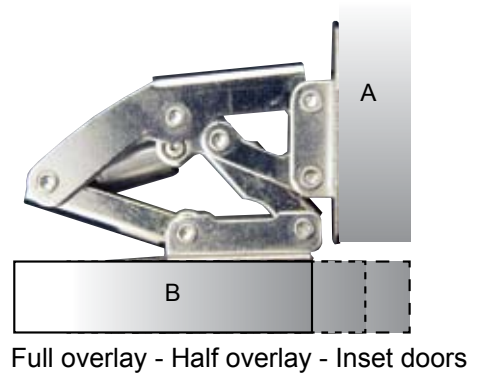


CARAVAN HINGES

MIGNON HINGE 90° Spring loaded



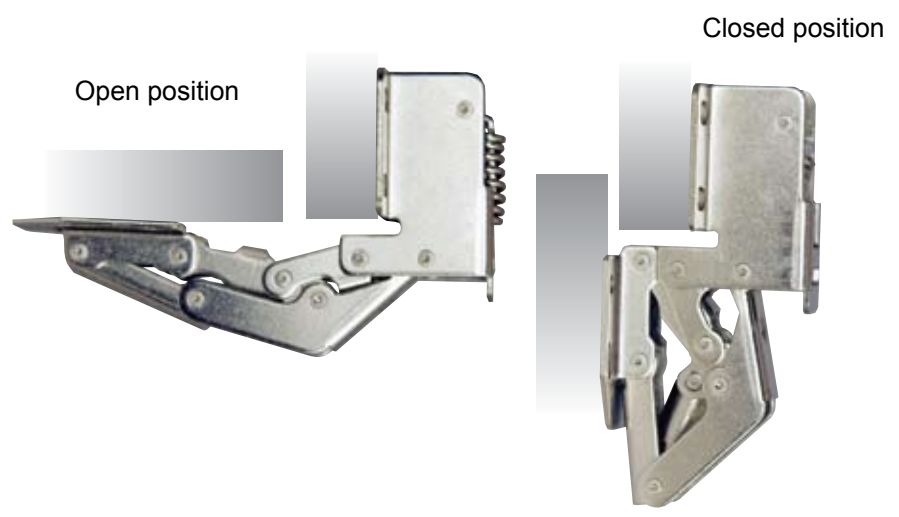
Material:	Steel 1,5 mm or SS 304	
Finish:	Nickel Plated (NPL) Bright Zinc Plated (BZP)	
Panel thickness:	Max. 20 mm	
Item No.	Steel NPL	# 15.05.061
	Steel BZP (extra strong spring)	# 15.05.051
	SS 304	# 15.05.065



SPRING LOADED CARAVAN HINGE



Material:	Steel 1,5 mm
Finish:	Nickel Plated (NPL)
Panel thickness:	Max. 19 mm
Item No.	# 15.05.120



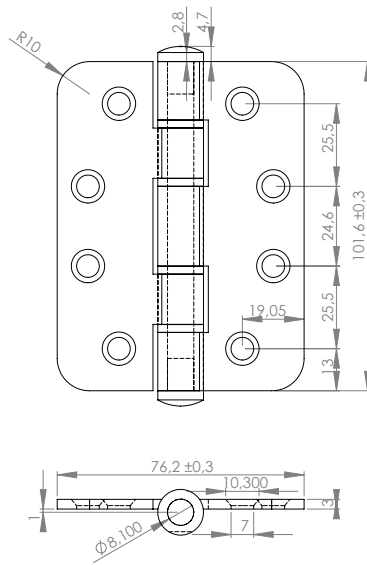
DOOR HINGES SS-304 (HEAVY DUTY)

- high quality furniture fittings

SISO DENMARK



BUTT HINGE "ROUND"



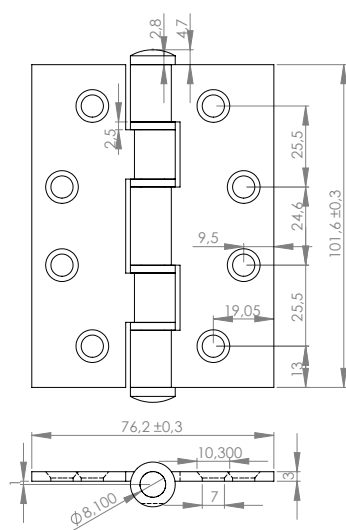
MODEL "ROUND"

Material: Stainless Steel 304
 Size: 102 x 76 x 3 mm
 Screw hole: Ø 7 mm
 w/4 ss-washers

Item No.: # 15.20.116



BUTT HINGE "SQUARE"



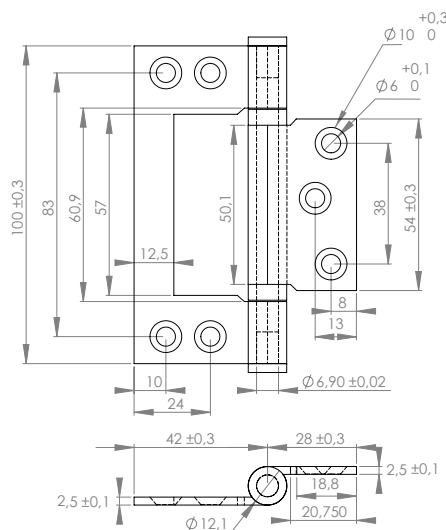
MODEL "SQUARE"

Material: Stainless Steel 304
 Size: 102 x 76 x 3 mm
 Screw hole: Ø 7 mm
 w/4 ss-washers

Item No.: # 15.20.115



BUTT HINGE "FLUSH"



MODEL "FLUSH"

Material: Stainless Steel 304
 Size: 100 x 70 x 2,5 mm
 Screw hole: Ø 7 mm
 w/2 ss-ball bearing washers

Item No.: # 15.20.100

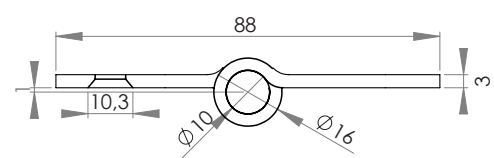
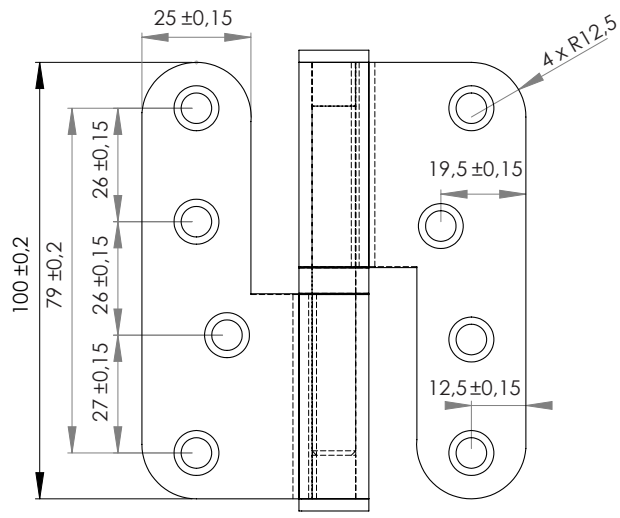
DOOR HINGES SS-304 (HEAVY DUTY)



BUTT HINGE "LIFT OFF" RIGHT

MODEL "LIFT-OFF RIGHT"

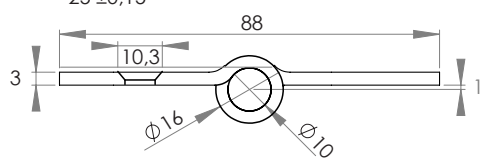
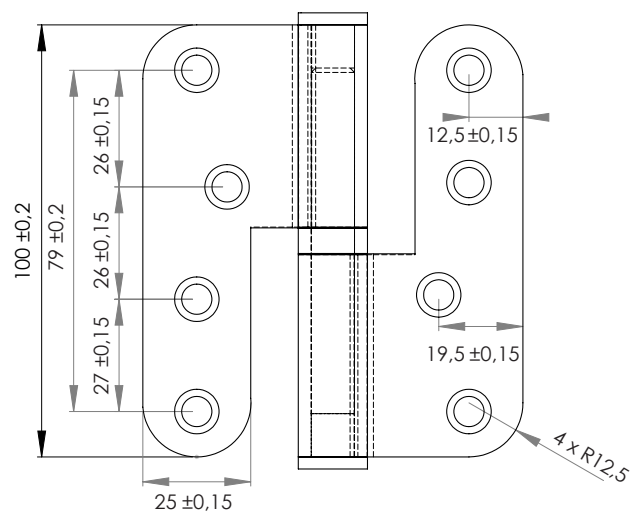
Material: Stainless Steel 304
 Size: 100 x 88 x 3 mm
 Screw hole: Ø 7 mm
 w/1 ss-ball bearing washers
 Item No.: # 15.20.106



BUTT HINGE "LIFT OFF" LEFT

MODEL "LIFT-OFF LEFT"

Material: Stainless Steel 304
 Size: 100 x 88 x 3 mm
 Screw hole: Ø 7 mm
 w/1 ss-ball bearing washers
 Item No.: # 15.20.105



PIN DOOR HINGE (HEAVY DUTY)

- high quality furniture fittings

SISO DENMARK



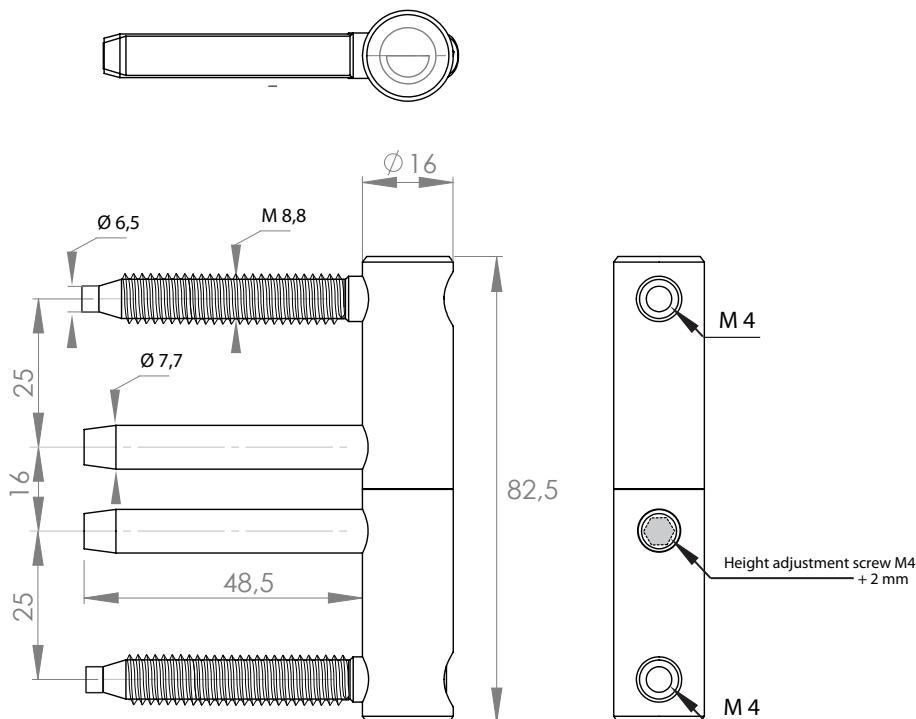
Hex key to be ordered separately

PIN DOOR HINGE WITH HEIGHT ADJUSTMENT

Application:	For heavy duty doors w/height adjustment function.
Size:	Ø 16 x 82,5 mm (25-16-25 mm)
Material:	Steel
Finish:	Yellow Zinc Plated (YZP)
Item No.	# 15.08.000
Other sizes on request	



2 mm height adjustment





- high quality furniture fittings

SISO A/S

Mileparken 11 Phone: (+45) 45 830 900
DK - 2740 Skovlunde (Copenhagen) Fax: (+45) 45 830 444
Denmark E-mail: siso@siso.dk Web: www.siso.dk